

A-Series Horizontal Centrifugal Multistage Pumps AHBI AHBS 50HZ



AHBI 50Hz

AHBS 50Hz

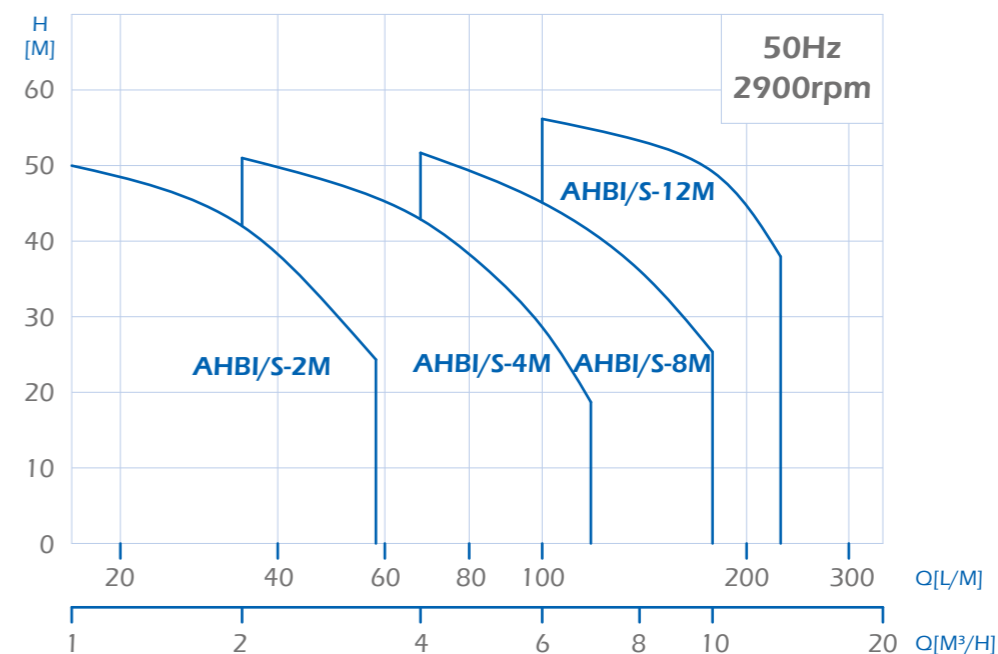
Feature

Reliability/Compact Form/Wide Range
High Efficiency / Easy Maintenance
Suitable for slightly corrosive liquids.

Application

- > Water supply and pressure boosting
- > Air-conditioning
- > Water treatment
- > Heating and cooling in industrial processes
- > Industrial washing and dish-washing machines Softened water
- > Pressure boosting of process water
- > Fertilizer/dosing systems

Performance Range



Pump

A horizontal, multistage centrifugal pump is made of stainless steel. The pump is a non-self priming type and fitted with a mechanical shaft seal.

Motor

Totally enclosed, fan-cooled standard motor.

Rated speed: 2900rpm/50Hz
Enclosure Class: IP 54
Insulation Class: F
Standard Voltages: 1x220~240V, 50Hz,
3x220~240Δ/380-415Y V, 50Hz

Operating conditions

Liquid temperature range: 0 °C ~+110 °C
Maximum ambient temperature: +40 °C
Maximum operating pressure: 10 kg/cm²
Maximum inlet pressure is limited by maximum operating pressure.

Mechanical Seals

List of Materials

Q:	Silicon carbide
B:	Carbon
E:	EPDM
V:	Viton
R:	Seal Type (general use)

•Spring is SS316.

Liquids to be pumped

These pumps are designed for pumping freely flowing non-corrosive, non-explosive, and non-flammable liquids. The liquids to be pumped must also be free of solid matter, sands, fibers, and similar materials.

Most common non-highly corrosive watery liquids, oily liquids, hot and cold liquids can be pumped with these pumps.

The suitability of these pumps for pumping any particular liquid depends upon a number of factors, such as the pH value, contents of chemicals such as chlorides, oils, the temperature of the liquids, etc..

Pipe connections

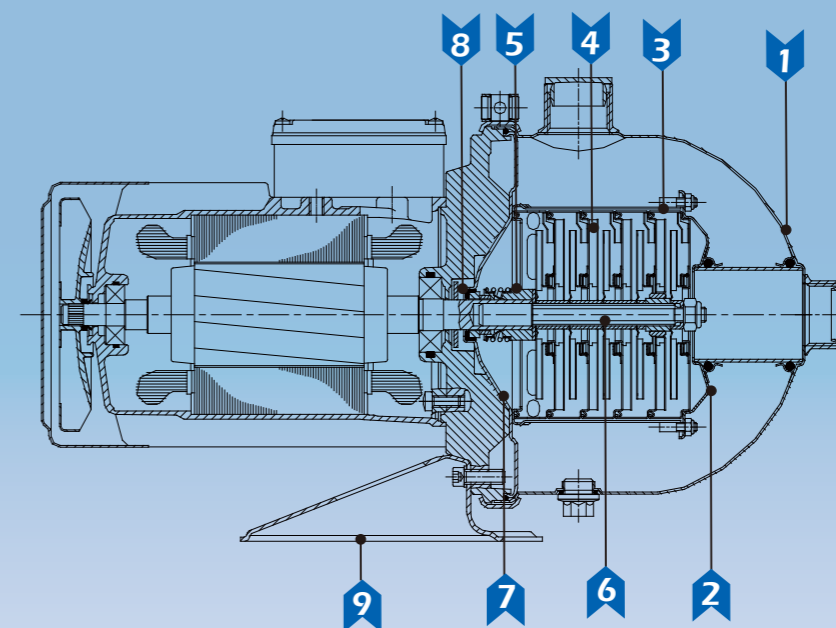
Connections	AHBI/S-2M	AHBI/S-4M
Suction port	1"	1 1/4"
Discharge port	1"	1 1/4"
Drain hole, priming hole	3/8"	3/8"

Mechanical Seals	AHBI	AHBS
ROQ	Optional	•
ROB	•	Optional

O-rings	AHBI	AHBS
E	•	•
V	Optional	Optional

•Standard

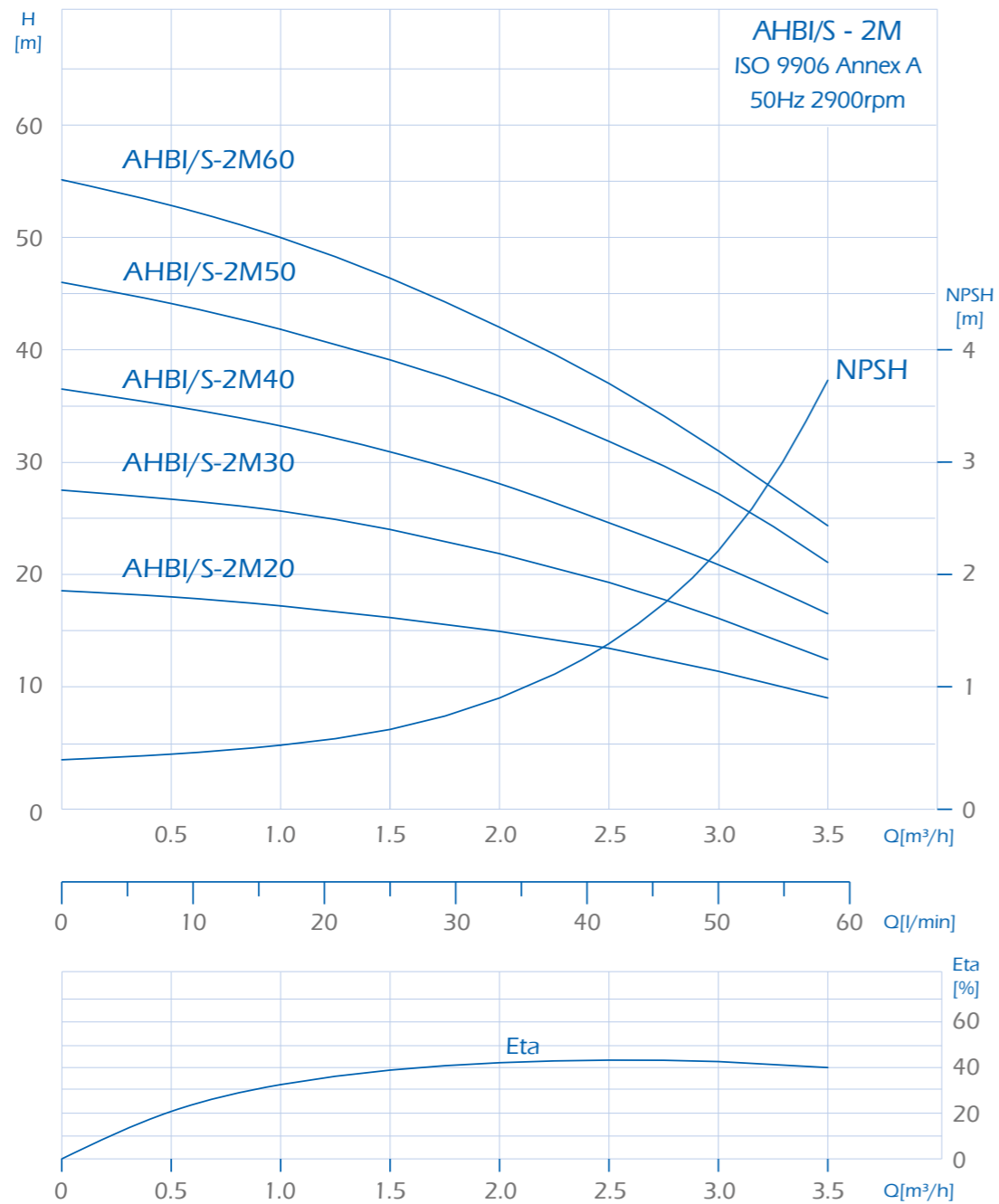
Construction & Material



		Materials	
No.	Description	AHBI	AHBS
1	Pump casing	SS304	SS316
2	Suction inter-connector	SS304	SS316
3	Chamber	SS304	SS316
4	Impeller	SS304	SS316
5	Cover plate	SS304	SS316
6	Shaft	SS431	SS316
7	Mechanical seal	Silicon carbide/Carbon	Silicon carbide/Silicon carbide
8	O-ring	EPDM	EPDM
9	Base plate	Steel	Steel

A-Series Horizontal Centrifugal Multistage Pumps

Performance Curve

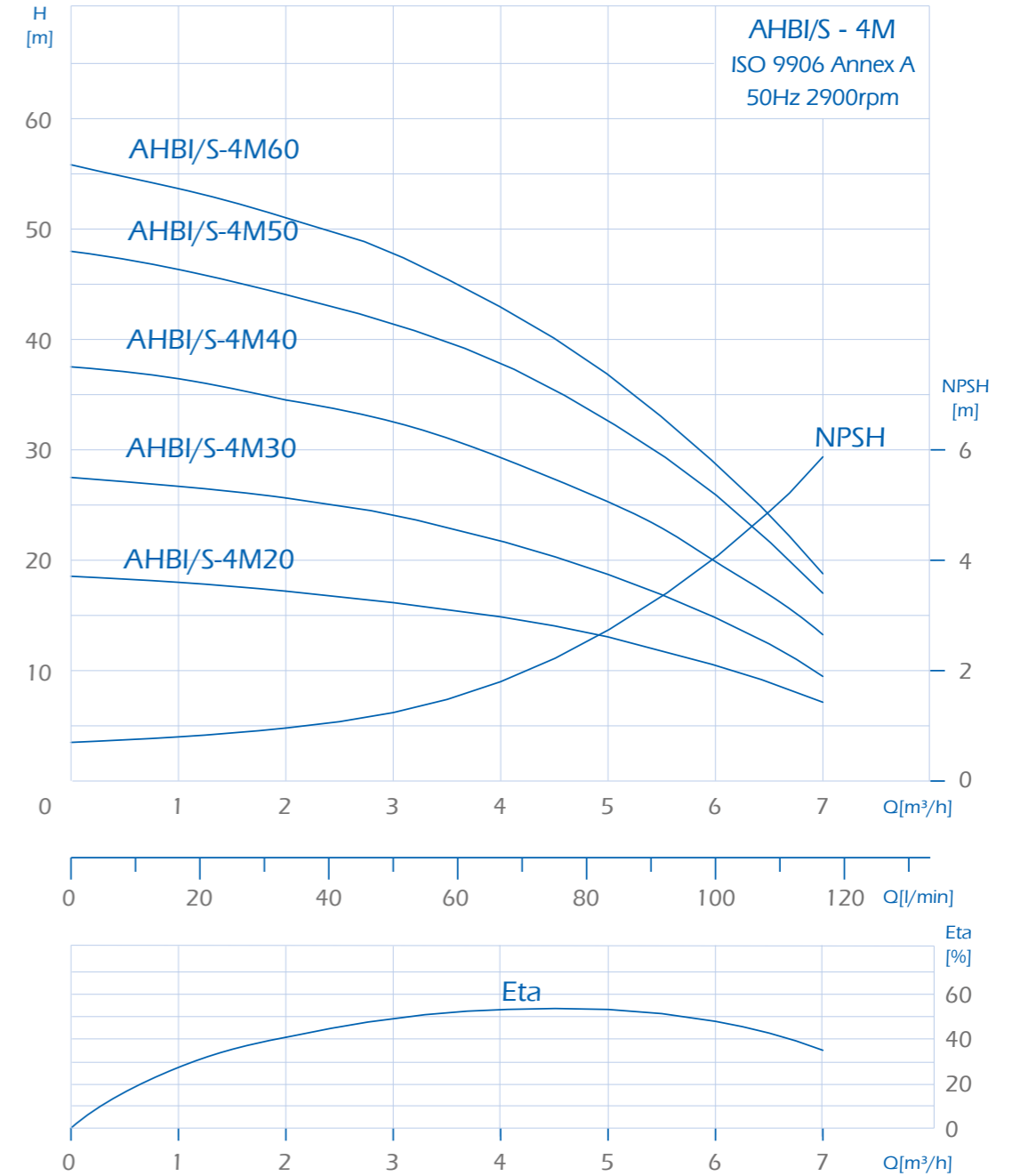


Pump type	HP	Electrical data, 2900 min ⁻¹					
		1 X 220-240 V			3 X 220-240 V / 380-415 V		
		P ₂ (W)	P ₁ (W)	I ^{1/1} (A)	P ₂ (W)	P ₁ (W)	I ^{1/1} (A)
AHBI/AHBS-2M20	0.5	240	450	1.9	245	370	1.9/1.1
AHBI/AHBS-2M30	0.5	340	540	2.4	350	480	1.9/1.1
AHBI/AHBS-2M40	0.5	430	630	2.8	460	620	2.0/1.2
AHBI/AHBS-2M50	0.75	540	800	3.8	565	820	2.7/1.6
AHBI/AHBS-2M60	0.75	620	940	4.2	655	910	2.8/1.6

All technical information is subject to change without notice.

A-Series Horizontal Centrifugal Multistage Pumps

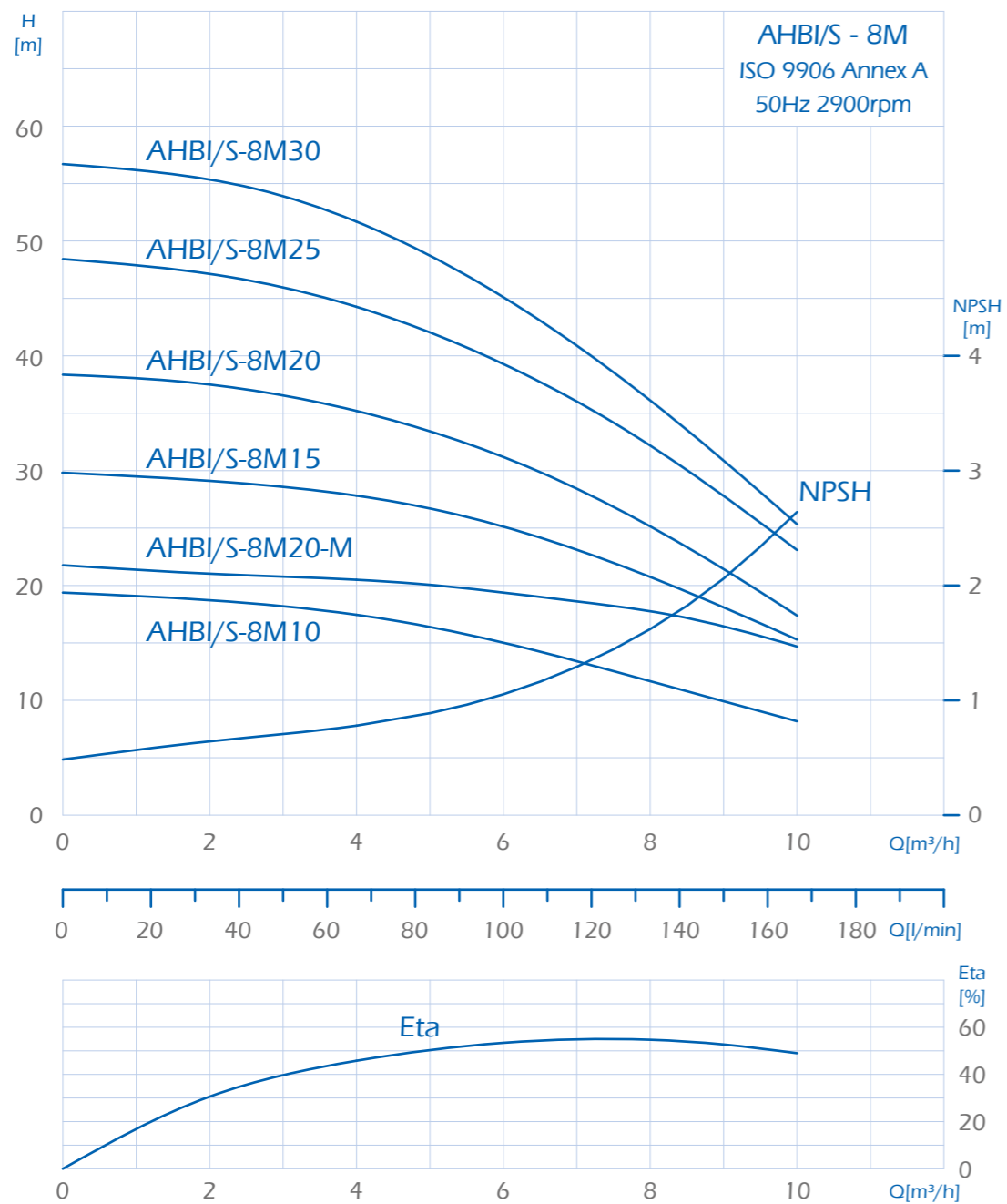
Performance Curve



Pump type	HP	Electrical data, 2900 min ⁻¹					
		1 X 220-240 V			3 X 220-240 V / 380-415 V		
		P ₂ (W)	P ₁ (W)	I ^{1/1} (A)	P ₂ (W)	P ₁ (W)	I ^{1/1} (A)
AHBI/AHBS-4M20	0.5	380	560	2.5	400	560	2.0/1.2
AHBI/AHBS-4M30	0.5	525	760	3.5	560	720	2.4/1.4
AHBI/AHBS-4M40	0.75	730	1000	4.8	740	980	3.2/1.8
AHBI/AHBS-4M50	1	870	1220	5.7	940	1210	4.0/2.3
AHBI/AHBS-4M60	1.5	1080	1410	6.4	1080	1410	4.8/2.7

A-Series Horizontal Centrifugal Multistage Pumps

Performance Curve

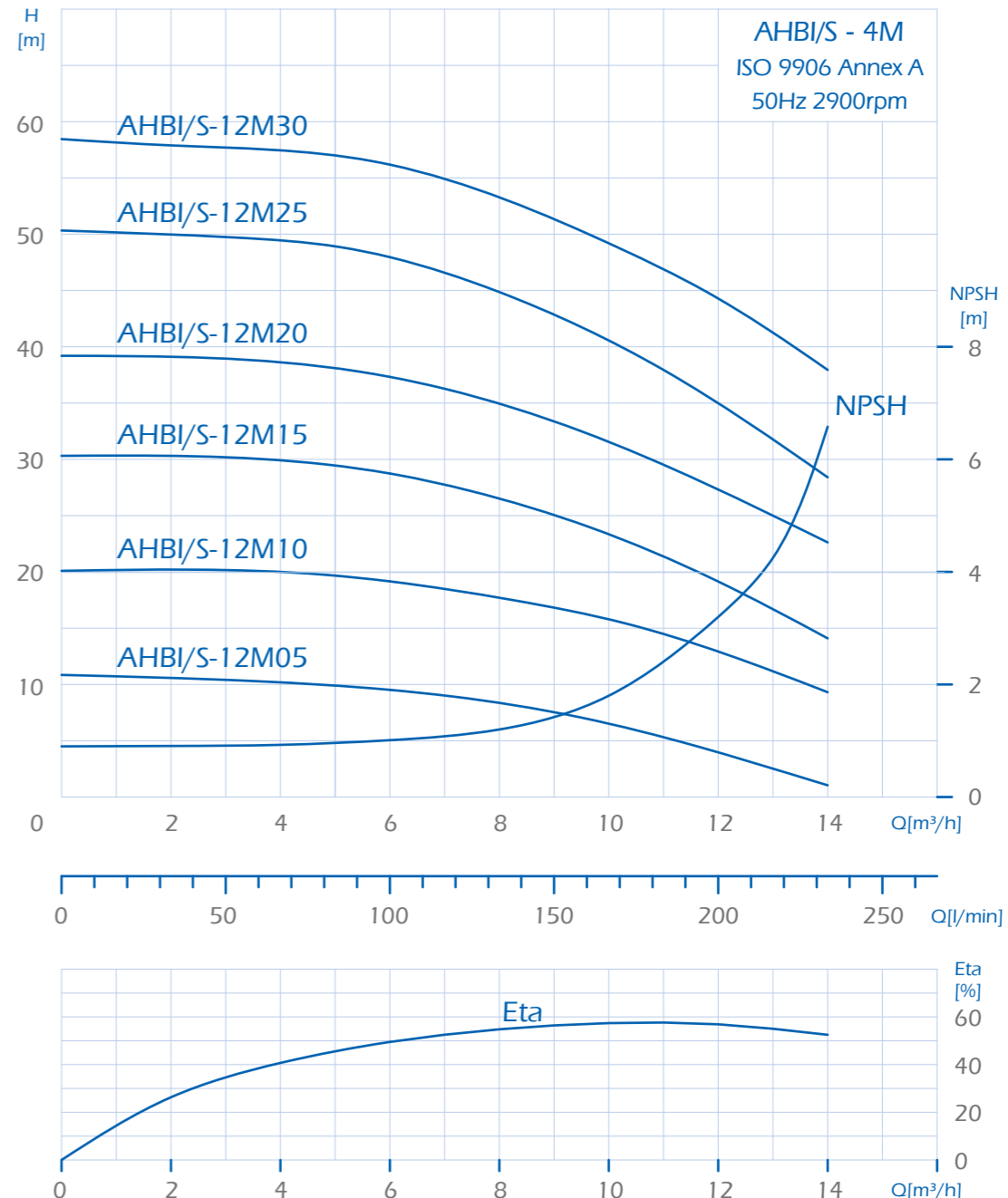


Pump type	Electrical data, 2900 min ⁻¹			Electrical data, 2900 min ⁻¹		
	1 X 220-240 V			3 X 220-240 V/380-415Y V		
	P ₂ (HP)	P ₁ (W)	I _{1/1} (A)	P ₂ (HP)	P ₁ (W)	I _{1/1} (A)
AHBI/AHBS-8M10	0.75	720	3.4	0.75	760	2.9/1.7
AHBI/AHBS-8M20-M	-	-	-	1	1030	4.1/2.4
AHBI/AHBS-8M15	1	1150	5.4	1	1180	4.3/2.5
AHBI/AHBS-8M20	1.5	1400	6.4	1.5	1430	5.5/3.2
AHBI/AHBS-8M25	2	1930	8.6	1.5	1810	6.0/3.5
AHBI/AHBS-8M30	2	2100	9.3	2	2050	6.9/4.0

All technical information is subject to change without notice.

A-Series Horizontal Centrifugal Multistage Pumps

Performance Curve

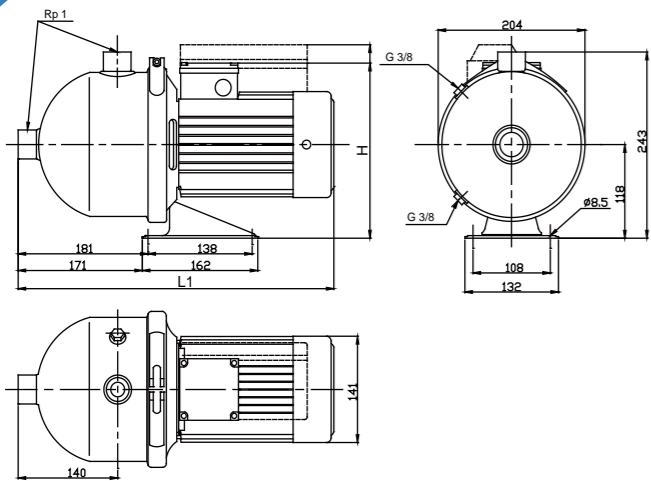


Pump type	Electrical data, 2900 min ⁻¹			Electrical data, 2900 min ⁻¹		
	1 X 220-240 V			3 X 220-240 V/380-415Y V		
	P ₂ (HP)	P ₁ (W)	I _{1/1} (A)	P ₂ (HP)	P ₁ (W)	I _{1/1} (A)
AHBI/AHBS-12M05	--	--	--	0.5	550	2.6/1.5
AHBI/AHBS-12M10	1	1200	5.5	1	1210	4.3/2.5
AHBI/AHBS-12M15	1.5	1700	7.8	1.5	1680	5.9/3.4
AHBI/AHBS-12M20	2	2460	11	2	2410	7.4/4.3
AHBI/AHBS-12M25	3	2900	13	3	2870	9.2/5.3
AHBI/AHBS-12M30	--	--	--	4	3640	11.6/6.7

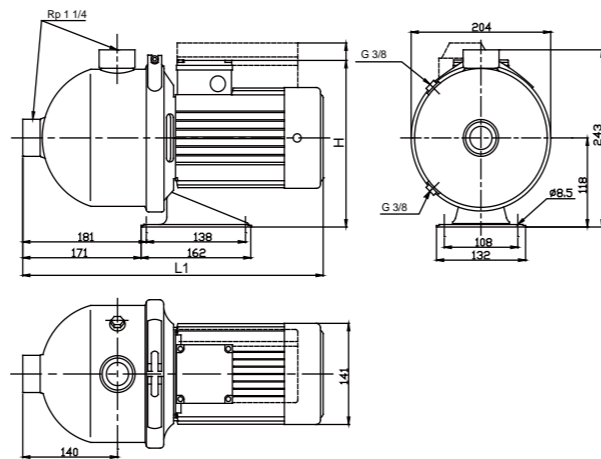
A-Series Horizontal Centrifugal Multistage Pumps

AHBI/AHBS - 2M , 4M Dimensions & Weights

AHBI/AHBS - 2M



AHBI/AHBS - 4M



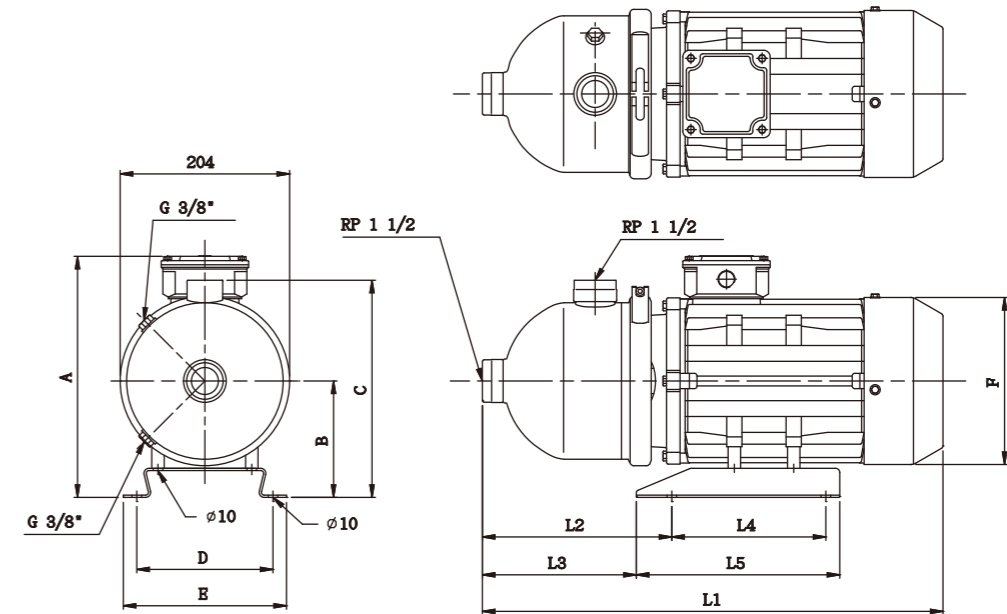
AHBI/AHBS-2M, 4M

Pump type	Dimension (mm)				Net Weight kg
	1phase		3phase		
	L1	H	L1	H	
AHBI/AHBS-2M20	403	255	403	233	9.6
AHBI/AHBS-2M30	403	255	403	233	9.9
AHBI/AHBS-2M40	403	255	403	233	10.1
AHBI/AHBS-2M50	441	255	403	233	10.8
AHBI/AHBS-2M60	441	255	403	233	11.0
AHBI/AHBS-4M20	403	255	403	233	9.6
AHBI/AHBS-4M30	403	255	403	233	9.9
AHBI/AHBS-4M40	403	255	403	233	10.6
AHBI/AHBS-4M50	441	255	441	233	12.1
AHBI/AHBS-4M60	441	255	441	233	12.3

All technical information is subject to change without notice.

A-Series Horizontal Centrifugal Multistage Pumps

AHBI/AHBS - 8M , 12M Dimensions & Weights



AHBI/AHBS-8M, 12M

Pump type	Motor P ₂ PH HP	Dimension (mm)														Net Weight(kg)	
		L1		L2	L3	L4	L5	A		B	C	D	E	F	1PH	3PH	
		1PH	3PH					1PH	3PH								
AHBI/AHBS-8M10	1 0.75	403	403	181	171	138	162	255	233	118	243	108	132	141	10.20	10.02	
	3 0.75	403	403	181	171	138	162	255	233	118	243	108	132	141	10.20	10.02	
AHBI/AHBS-8M15	1 1	441	441	181	171	138	162	255	233	118	243	108	132	141	12.28	12.08	
	3 1	441	441	181	171	138	162	255	233	118	243	108	132	141	12.28	12.08	
AHBI/AHBS-8M20-M	3 1	-	441	181	171	138	162	-	233	118	243	108	132	141	-	11.98	
AHBI/AHBS-8M20	1 1.5	441	441	181	171	138	162	255	233	118	243	108	132	141	13.54	13.34	
	3 1.5	441	441	181	171	138	162	255	233	118	243	108	132	141	13.54	13.34	
AHBI/AHBS-8M25	1 2	514	-	200	180	195	235	267	-	121	245	158	178	177	23.08	-	
	3 1.5	-	441	181	171	138	162	-	233	118	243	108	132	141	-	13.92	
AHBI/AHBS-8M30	1 2	514	493	200	180	195	235	267	261	121	245	158	178	177	23.14	22.22	
	3 2	514	493	200	180	195	235	267	261	121	245	158	178	177	23.14	22.22	
AHBI/AHBS-12M05	3 0.5	-	403	181	171	138	162	-	233	118	243	108	132	141	-	9.41	
AHBI/AHBS-12M10	1 1	441	441	181	171	138	162	255	233	118	243	108	132	141	11.75	11.52	
	3 1	441	441	181	171	138	162	255	233	118	243	108	132	141	11.72	11.52	
AHBI/AHBS-12M15	1 1.5	441	441	181	171	138	162	255	233	118	243	108	132	141	13.38	13.18	
	3 1.5	441	441	181	171	138	162	255	233	118	243	108	132	141	13.38	13.18	
AHBI/AHBS-12M20	1 2	514	493	200	180	195	235	267	261	121	245	158	178	177	22.52	21.48	
	3 2	514	493	200	180	195	235	267	261	121	245	158	178	177	22.52	21.48	
AHBI/AHBS-12M25	1 3	514	493	200	180	195	235	267	261	121	245	158	178	177	25.74	24.36	
	3 3	514	493	200	180	195	235	267	261	121	245	158	178	177	25.74	24.36	
AHBI/AHBS-12M30	3 4	-	539	230	198	195	245	-	583	133	259	174	198	197	-	30.20	