

EN
NEW

D



40TH

PEDROLLO[®]
... the spring of life

NEW

New version of the D series, made more reliable with the introduction of double mechanical seals.

TECHNICAL CHARACTERISTICS

- ▶ Double mechanical seals.
- ▶ Cast iron pump body subjected to Epoxy Electrocoating Treatment. This treatment guarantees high resistance to oxidation.
- ▶ Precision cast stainless steel handle.
- ▶ Float switch equipped with patented tilting system (patented).
- ▶ Supply cable equipped with anti-tear system (patented)

INSTALLATION AND USE

Designed to pump **clear or slightly dirty water**, these pumps are suitable for use in domestic, civil and professional applications and in particular for draining flooded areas such as cellars and garages, for draining swimming pools and reservoirs and for the disposal of non-sewage waste water.

These pumps distinguish themselves for their reliability, which can be best appreciated under automatic operating conditions in fixed installations.

APPLICATION LIMITS

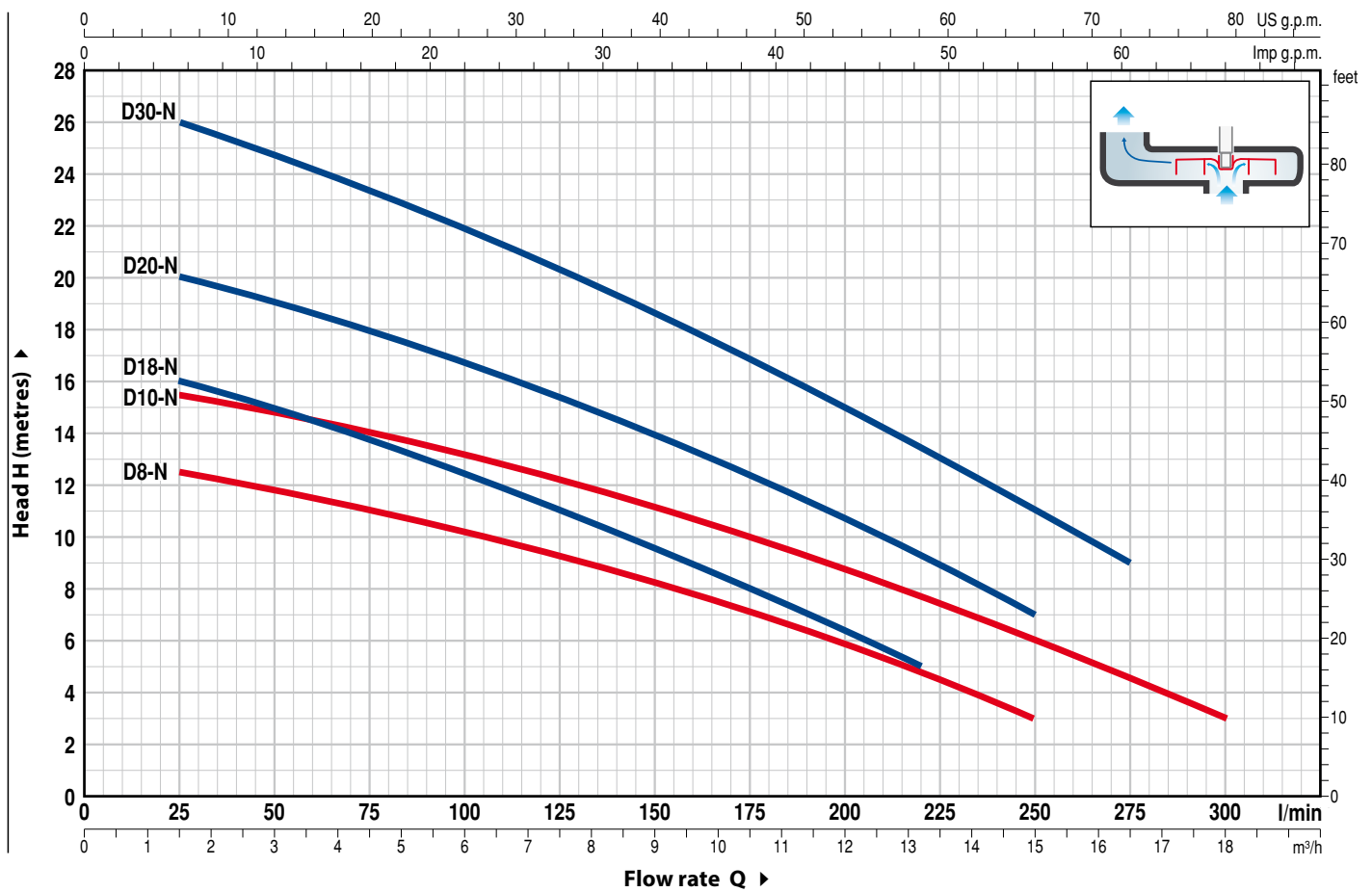
- 5 m maximum immersion depth
- Maximum liquid temperature +40 °C
- Solids passage up to \varnothing 10 mm

STANDARD SUPPLY

- Complete with:
 - 5 m long power cable for D8-N, D10-N, D18-N, D20-N
 - 10 m long power cable for D30-N
- Float switch for single-phase versions

CHARACTERISTIC CURVES AND PERFORMANCE DATA

50 Hz n = 2900 1/min



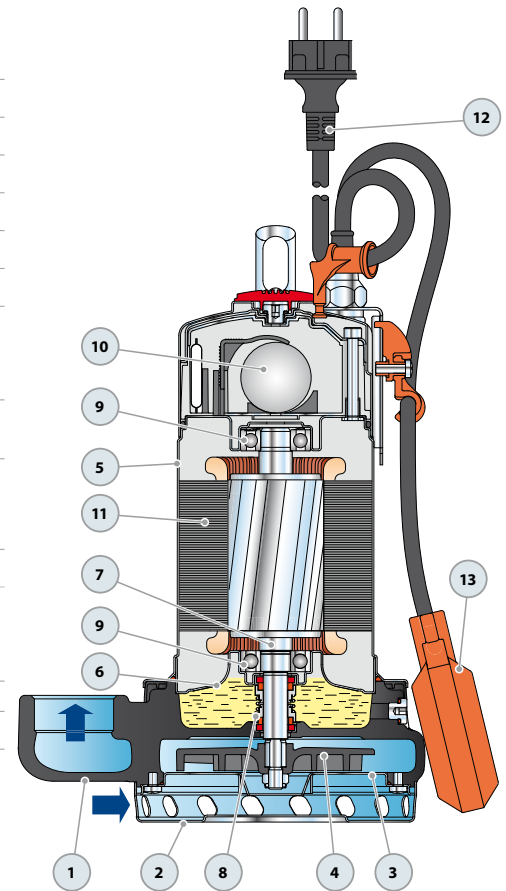
MODEL		POWER		Q	H metres																	
Single-phase	Three-phase	kW	HP		m³/h	0	1.5	3.0	4.5	6.0	7.5	9.0	10.5	12.0	13.2	15.0	16.5	18.0				
				l/min	0	25	50	75	100	125	150	175	200	220	250	275	300					
Dm 8 -N	-	0.55	0.75	H metres	13	12.5	11.8	11	10.2	9.2	8.2	7	5.8	4.7	3							
Dm 10-N	D 10-N	0.75	1		16	15.5	14.8	14	13.2	12.2	11.2	10	8.8	7.8	6	4.5	3					
Dm 18-N	-	0.55	0.75		16	16	15	13.7	12.5	11	9.5	8	6.5	5								
Dm 20-N	D 20-N	0.75	1		20	20	19	18	16.8	15.5	13.9	12.3	10.7	9.2	7							
Dm 30-N	D 30-N	1.1	1.5		26	26	24.8	23.5	22	20.4	18.7	16.9	15	13.5	11	9						

Q = Flow rate H = Total manometric head

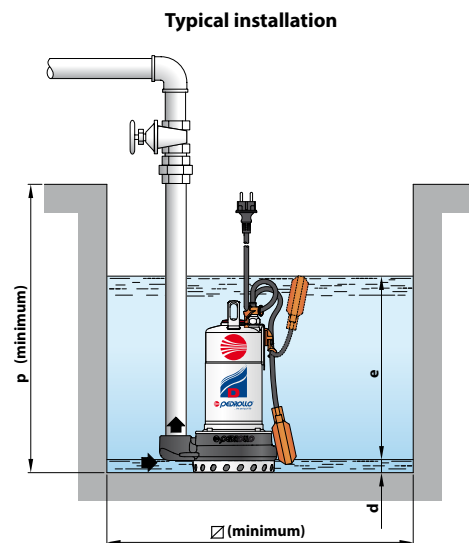
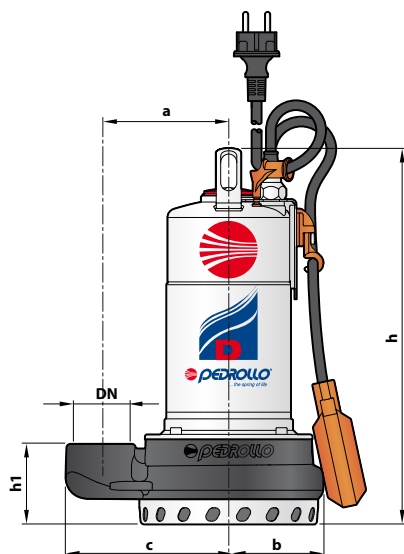
Tolerance of characteristic curves in compliance with EN ISO 9906 Grade 3.

POS. COMPONENT CONSTRUCTION CHARACTERISTICS

1 PUMP BODY	Cast iron subjected to Epoxy Electrocoating Treatment, with threaded port in compliance with ISO 228/1				
2 SUCTION FILTER	Stainless steel AISI 304				
3 SUCTION PLATE	Stainless steel AISI 304				
4 IMPELLER	Technopolymer open type				
5 MOTOR CASING	Stainless steel AISI 304				
6 MOTOR CASING PLATE	Stainless steel AISI 304				
7 MOTOR SHAFT	Stainless steel EN 10088-3 - 1.4104				
8 SHAFT WITH DOUBLE MECHANICAL SEAL SEPARATED BY AN OIL CHAMBER					
<i>Pump Model</i>	<i>Seal Model</i>	<i>Shaft Diameter</i>	<i>Stationary ring</i>	<i>Rotational ring</i>	<i>Materials Elastomer</i>
Dm8 -N, Dm10-N Dm18-N, Dm20-N	MG1-14D SIC	Ø 14 mm	Silicon carbide	Silicon carbide	NBR
D30-N	MG1-14 SIC	Ø 14 mm	Ceramic	Silicon carbide	NBR
(Shaft with double seal with lip seal Ø 16 x Ø 24 x H 5 mm)					
9 BEARINGS	6203 ZZ / 6203 ZZ				
10 CAPACITOR					
<i>Pump Single-phase</i>	<i>Capacità (230 V or 240 V)</i>		<i>(110 V)</i>		
Dm8-N, Dm10-N, Dm18-N, Dm20-N	20 µF 450 VL		30 µF 250 VL		
Dm30-N	25 µF 450 VL		-		
11 ELECTRIC MOTOR					
- Single-phase 230 V - 50 Hz with thermal overload protector built-in to the winding					
- Three-phase 400 V - 50 Hz					
- Insulation: F class					
- Protection: IP X8					
12 POWER CABLE					
5 metre (10 metre for D30-N) long "H07 RN-F" cable (with Schuko plug on single-phase versions only)					
13 FLOAT SWITCH					
(only for single-phase versions)					



DIMENSIONS



MODEL		PORT DN	DIMENSIONS mm								
Single-phase	Three-phase		a	b	c	h	h1	d	e	p	Ø
Dm 8 -N	-	1½"	115	85	147	340	72	17	variable	500	500
Dm 10-N	D 10-N										
Dm 18-N	-										
Dm 20-N	D 20-N										
Dm 30-N	D 30-N			93		355	84	15			



Pedrollo S.p.A. – Via Enrico Fermi, 7 – 37047 – San Bonifacio (VR)
tel. +39 045 6136311 – fax +39 045 7614663 – sales@pedrollo.com – www.pedrollo.com