

EN
NEW

JCR1



 **PEDROLLO**[®]
... the spring of life

NEW

TECHNICAL CHARACTERISTICS

- ▶ New self-priming electric water pumps
- ▶ Original design by Pedrollo
- ▶ Quieter
- ▶ Better hydraulic characteristics
- ▶ Better priming performances
- ▶ Reduced energy consumption
- ▶ Pump body in stainless steel AISI 304
- ▶ Impeller in stainless steel AISI 304

INSTALLATION AND USE

Suitable for use with clean water and liquids that are not chemically aggressive towards the materials from which the pump is made. The self-priming **JCR** pumps are designed to pump water even in cases where air is present. As a result of their reliability and the fact that they are easy to use, they are recommended for use in domestic applications such as the distribution of water in combination with small or medium sized pressure sets, and for the irrigation of gardens and allotments, etc.

APPLICATION LIMITS

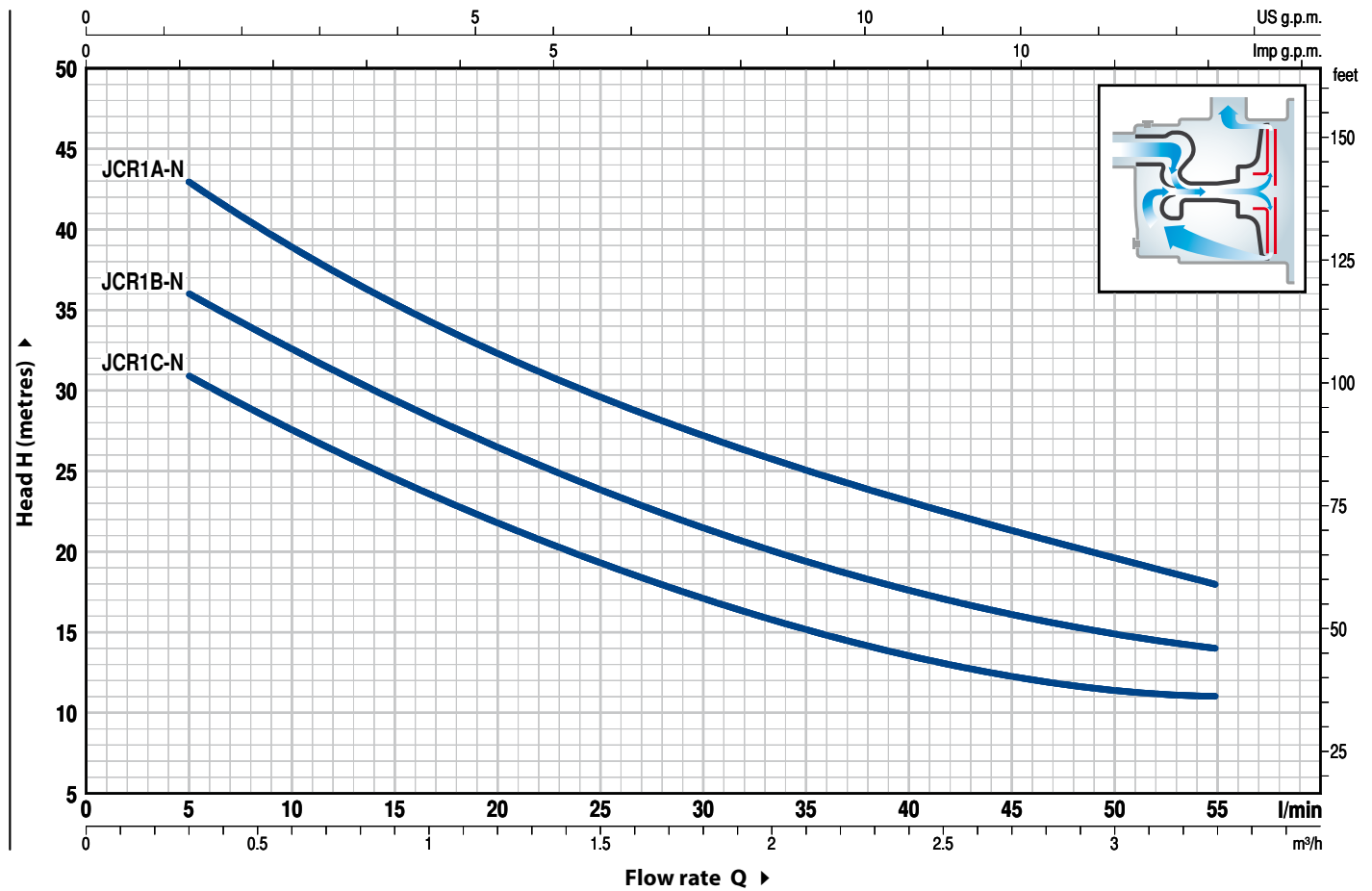
- Manometric suction lift up to **9 m (HS)**
- Liquid temperature between **-10 °C** and **+40 °C**
- Ambient temperature up to **+40 °C**
- Max. working pressure **6 bar**
- Continuous service **S1**

PATENTS

- European Patent n° 1 510 696

CHARACTERISTIC CURVES AND PERFORMANCE DATA

50 Hz n= 2900 1/min HS= 0 m



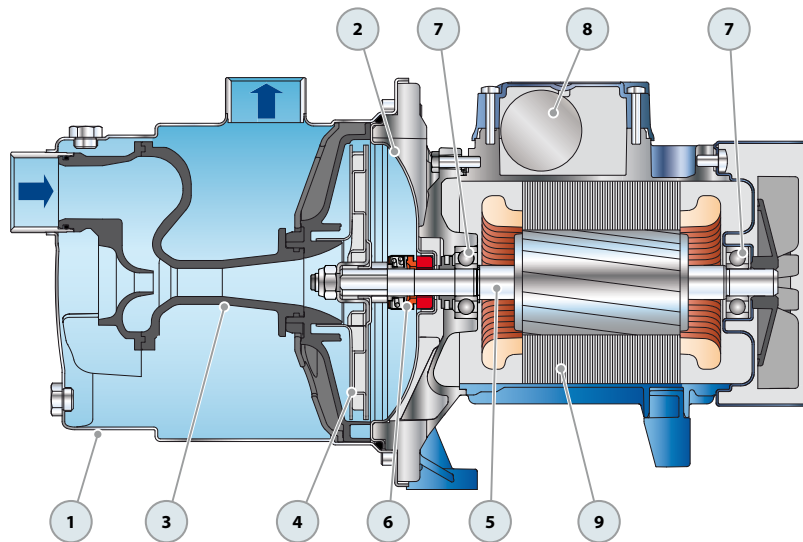
MODEL		POWER		Q	Flow rate										
Single-phase	Three-phase	kW	HP		m³/h	0	0.3	0.6	1.2	1.5	1.8	2.4	2.7	3.0	3.3
				l/min	0	5	10	20	25	30	40	45	50	55	
JCRm 1C-N	-	0.37	0.50	H metres	35	31	27.5	22	19.5	17	14.5	13	11.5	11	
JCRm 1B-N	JCR 1B-N	0.50	0.70		41	36	33	26.5	23.5	21.5	17.5	16	15	14	
JCRm 1A-N	JCR 1A-N	0.60	0.85		48	43	39	32	29.5	27.5	23	21.5	19.5	18	

Q = Flow rate H = Total manometric head HS = Suction height

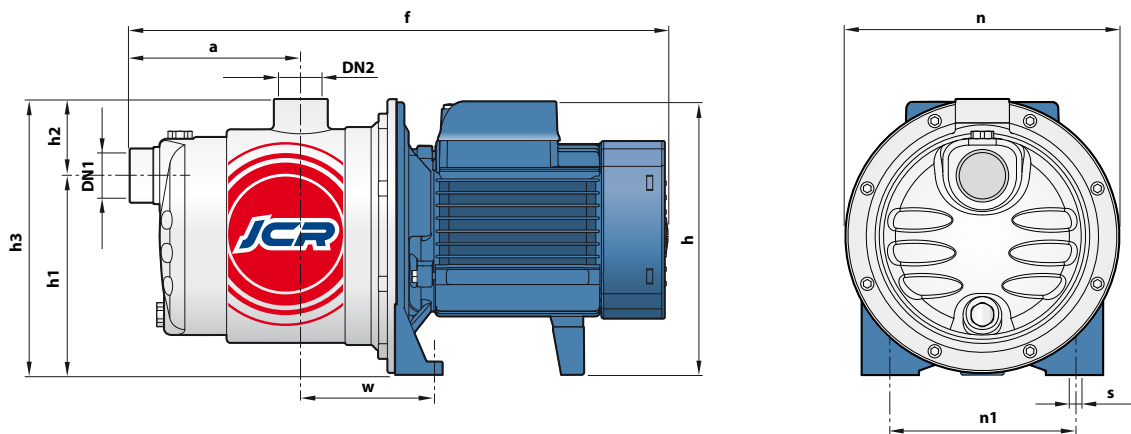
Tolerance of characteristic curves in compliance with EN ISO 9906 Grade 3.

POS. COMPONENT CONSTRUCTION CHARACTERISTICS

1	PUMP BODY	Stainless steel AISI 304, complete with threaded ports in compliance with ISO 228/1				
2	BODY BACKPLATE	Stainless steel AISI 304				
3	NOZZLE ASSEMBLY	Noryl FE1520PW				
4	IMPELLER	Stainless steel AISI 304				
5	MOTOR SHAFT	Stainless steel EN 10088-3 - 1.4104				
6	MECHANICAL SEAL	<i>Seal Model</i>	<i>Shaft Diameter</i>	<i>Stationary ring</i>	<i>Materials Rotational ring</i>	<i>Elastomer</i>
		AR-12	Ø 12 mm	Ceramic	Graphite	NBR
7	BEARINGS	6201 ZZ / 6201 ZZ				
8	CAPACITOR	<i>Pump Single-phase</i>	<i>Capacitance (230 V or 240 V)</i>	<i>(110 V)</i>		
		JCRm 1C-N	10 µF 450 VL	25 µF 250 VL		
		JCRm 1B-N	10 µF 450 VL	25 µF 250 VL		
		JCRm 1A-N	14 µF 450 VL	25 µF 250 VL		
9	ELECTRIC MOTOR	<p>JCRm: single-phase 230 V - 50 Hz with thermal overload protector built-in to the winding. JCR: three-phase 230/400 V - 50 Hz.</p> <p>➔ Pumps fitted with the three-phase motor option offer IE2 (IEC 60034-30) class high performance. ➔ Stator and rotor are made out of magnetic sheet with low iron loss.</p> <p>- Insulation: F class. - Protection: IP X4.</p>				



DIMENSIONS



MODEL		PORTS		DIMENSIONS mm									
Single-phase	Three-phase	DN1	DN2	a	f	h	h1	h2	h3	n	n1	w	s
JCRm 1C-N	-	1"	1"	113	357	182	132	51	183	182	120	87	9
JCRm 1B-N	JCR 1B-N												
JCRm 1A-N	JCR 1A-N												



Pedrollo S.p.A. – Via Enrico Fermi, 7 – 37047 – San Bonifacio (VR)
tel. +39 045 6136311 – fax +39 045 7614663 – sales@pedrollo.com – www.pedrollo.com