

GLOBAL WATER SOLUTIONS LTD.



INSTALLATION AND OPERATING MANUAL

PressureWave™ / Max™ / UltraMax™ / M-Inox™ / E-Wave™
Challenger™ / C2-Lite CAD™ / Flow-Thru™ / HeatWave™
SolarWave™ / ThermoWave™ Series



- (EN) Installation and operating manual
- (ES) Manual de instalación y funcionamiento
- (PT) Manual de instalação e utilização
- (FR) Manuel d'installation et d'utilisation
- (DE) Installations- und Benutzerhandbuch
- (IT) Manuale uso e manutenzione
- (SV) Installation och bruksanvisning
- (DA) Installations- og betjeningsmanual
- (FI) Asennus- ja käyttöohjeet
- (RU) Руководство по установке и эксплуатации
- (ZH) 安装和操作手册
- (NL) Handleiding voor installatie en gebruik
- (NO) Installasjons- og driftsveiledning
- (PL) Instrukcja montażu i obsługi
- (CS) Návod k instalaci a k provozu

- (SK) Návod na použitie a inštaláciu
- (HU) Telepítési és használati útmutató
- (RO) Manual de instalare și operare
- (BG) Ръководство за инсталация и експлоатация
- (EL) Εγχειρίδιο εγκατάστασης και λειτουργίας
- (TR) Kurulum ve kullanma kilavuzu
- (AR) لي غيڤتو بيڤيكت بيڤيكت
- (HI) स्थापना और संचालन पुस्तिका
- (TH) คู่มือการติดตั้งและการใช้งาน
- (VI) Hướng dẫn lắp đặt và vận hành
- (MS) Manual pemasangan dan pengendalian
- (ID) Panduan pemasangan dan pengoperasian
- (KO) 설치 및 작동 설명서
- (JA) 取り付け・操作マニュアル

TABLE OF CONTENTS

English (EN) 4 Installation and operating manual	(AR) العربية 58 إيدى شوش و بيكرت بيوتك
Español (ES) 8 Manual de instalación y funcionamiento	हिन्दी (HI) 59 स्थापना और संचालन पुस्तिका
Português (PT) 12 Manual de instalação e utilização	ไทย (TH) 60 คู่มือการติดตั้งและการใช้งาน
Français (FR) 16 Manuel d'installation et d'utilisation	Tiếng việt (VI) 61 Hướng dẫn lắp đặt và vận hành
Deutsch (DE) 20 Installations- und Benutzerhandbuch	Bahasa melayu (MS) 62 Manual pemasangan dan pengendalian
Italiano (IT) 24 Manuale uso e manutenzione	Bahasa indonesia (ID) 63 Panduan pemasangan dan pengoperasian
Svenska (SV) 28 Installation och bruksanvisning	한국어 (KO) 64 설치 및 작동 설명서
Dansk (DA) 32 Installations- og betjeningsmanual	日本語 (JP) 65 取り付け・操作マニュアル
Suomi (FI) 36 Asennus- ja käyttöohjeet	English (EN) 66 GWS pressure tanks limited warranty
Русский (RU) 40 Руководство по установке и эксплуатации	Español (ES) 66 Garantía limitada de los depósitos a presión GWS
中文 (ZH) 44 安装和操作手册	Português (PT) 67 Garantia limitada dos vasos de pressão da GWS
Nederlands (NL) 48 Handleiding voor installatie en gebruik	Français (FR) 67 Garantie limitée des réservoirs à pression GWS
Norsk (NO) 49 Installasjons- og driftsveiledning	Deutsch (DE) 68 Beschränkte Gewährleistung für GWS Druckbehälter
PolSKI (PL) 50 Instrukcja montażu i obsługi	Italiano (IT) 68 Garanzia limitata dei vasi di espansione GWS
Čeština (CS) 51 Návod k instalaci a k provozu	Svenska (SV) 69 GWS trycktankars begränsade garanti
Slovenčina (SK) 52 Návod na použitie a inštaláciu	Dansk (DA) 69 Begrænset garanti for GWS-tryktanke
Magyar (HU) 53 Telepítési és használati útmutató	Suomi (FI) 70 GWS-painesäiliöiden rajoitettu takuu
Română (RO) 54 Manual de instalare și operare	Русский (RU) 70 Ограниченная гарантия на напорные баки GWS
Български (BG) 55 Ръководство за инсталация и експлоатация	中文 (ZH) 71 GWS 压力罐有限保证
Ελληνικά (EL) 56 Εγχειρίδιο εγκατάστασης και λειτουργίας	Declaration of conformity 72
Türkçe (TR) 57 Kurulum ve kullanma kılavuzu	Acceptance factor overview 74
	Standard tank specification overview 75

PressureWave™ / Max™ / UltraMax™ / M-Inox™ / E-Wave™ / Challenger™ /
C2-Lite CAD™ / FlowThru™ / All-Weather™ / HeatWave™ / SolarWave™ /
ThermoWave™ Series

CAUTIONS AND WARNINGS

⚠ **CAUTION:** To prevent personal injury, ensure all water pressure is released from the pressure system prior to work being performed. Ensure pumps are disconnected and / or electrically isolated.

⚠ **WARNING:** It is strongly recommended that the system is protected by a suitable pressure relief valve set at or below the maximum tank pressure rating. Failure to install a relief valve may result in tank explosion in the event of a system malfunction or over pressurization, resulting in property damage, serious personal injury or death.

⚠ **WARNING:** If the pressure tank leaks or shows signs of corrosion or damage do not use it.

Installed on _____ by _____

PLEASE READ ALL INSTRUCTIONS BEFORE INSTALLING YOUR NEW GLOBAL WATER SOLUTIONS (GWS) TANK

These instructions have been prepared to acquaint you with the correct method of installing and operating your GWS pressure tank. We urge you to study this document carefully and follow all of the recommendations. In the event of installation difficulties or the need for further advice, you should contact the dealer from whom you purchased the system or the nearest GWS sales office.

- PressureWave™, Max™, UltraMax™, M-Inox™, E-Wave™, All-Weather™, Challenger™, C2-Lite CAD™, and FlowThru™ Series tanks are designed for use in well water or potable water booster systems. Refer to Sec. 1 for installation details.
- HeatWave™ and SolarWave™ Series tanks are designed for use in non-potable closed loop hydronic or solar water heating systems. Refer to Sec. 2 for installation details.
- ThermoWave™ Series tanks are designed for use in open loop potable water heating applications. PressureWave™, E-Wave™, Challenger™ and SuperFlow™ Series may also be used in open loop potable water heating applications. Refer to Sec. 2 for installation details.
- See tank data label for maximum working pressure and maximum temperature.
- Be sure to protect tank, piping and all system components from freezing temperatures.
- The manufacturer is not responsible for any water damage in connection with this diaphragm pressure tank.

INSTALLATION MUST BE IN ACCORDANCE WITH LOCAL AND STATE PLUMBING CODES.

1. Well Water and Booster System Tank Installation

1.1 Proper GWS Tank Location

In order to ensure your tank provides its maximum service life it should always be installed in a covered, dry position. The tank should not be allowed to rub against any surrounding hard surfaces, such as walls etc.

Install the tank at a suitable location to prevent water damage due to leaks. The tank should always be located downstream from the pump. If the tank is located at a lower elevation than the demand then a check valve should be installed. If the tank is installed remotely from the pump then install the pressure switch near the tank. The tank should be installed as close as possible to the pressure switch, transducer or flow sensor. This will reduce the adverse effects of added friction loss and differences in elevation between the tank and / or the water mains' and the pressure switch, transducer or sensor.

1.2 System Connection

1. Place the GWS tank in its final desired location.
2. Level as necessary. All vertical and horizontal model tanks should be placed on a firm base. If vibration is likely to occur in the vicinity the tank should be mounted on a resilient mounting. Tanks with steel bases should be mounted using supplied "L" brackets, while tanks with plastic bases should be mounted through the holes in the base. For bases without holes, holes should be drilled at four points equally distant along the rim of the base and then mounted accordingly. Inline tanks should be connected directly to the pump or to the supply line using a "T" connection.
3. Connect the tank to the pump supply line with a short pipe to eliminate unnecessary friction loss.
4. All piping should be in accordance with prevailing local codes and standards.
5. Refer to tank data label to confirm BSP or NPT threaded connections.
6. Tanks mounted on booster sets should be strapped down for shipment.

1.3 Adjusting Precharge Pressure

Correct precharge is required for proper tank performance.

1. For tanks installed with a pressure switch controlled pump with a differential pressure set up to 2 bar (30 psi), the precharge should be set to 0.2 bar (2 psi) below the cut-in pressure.
2. For tanks installed with a pump controlled by a pressure switch with a pressure differential greater than 2 bar (30 psi), electronic controls or variable speed controls, the precharge should be set to 65% of the cut-out or maximum system pressure.
3. For tanks installed on mains' pressure, the tank precharge should be set equal to the mains' pressure. For mains' pressure

exceeding 6 bar (88 psi), a suitable pressure regulator should be installed.

For correct operation, pressure tanks should be precharged as follows:

1. Turn off the pump, disconnect the tank from the system and completely drain all water inside the tank to avoid water pressure affecting precharge readings.
2. Using a suitable pressure gauge, check the precharge pressure of the tank.
3. Release or add air as necessary to adjust to the required precharge pressure.
4. Replace protective air valve cap and seal with the air valve label, if provided. This will enable you to determine if the valve has been tampered with in case of future service calls.
5. After correctly setting the precharge, no regular air charge checks are required.

Do not check air after installation.

⚠ CAUTION: Never over-charge the tank and precharge the tank with air at ambient temperature only!

If the tank is to be precharged over 4 bar (58 psi):

1. Adjust the precharge of the tank to 4 bar (58 psi).
2. Install the tank into the system.
3. Fill the system with water to equalise the system and precharge pressure at 4 bar (58 psi).
4. Increase precharge pressure in maximum 3 bar (44 psi) steps and afterwards adjust the system pressure to the new precharge pressure by filling water into the system.
5. Repeat steps 3 and 4 until the required precharge is reached.

Emptying a tank that has a precharge over 4 bar (58 psi):

1. Make sure there is some water in the tank.
2. Isolate the tank from the system (close isolation valve).
3. Make sure no additional water can get into the tank (shut off the pump and / or any water supply).
4. Release air from tank until 3 bar (44 psi) tank / air pressure is remaining.
5. Open a drain valve and afterwards the isolation valve to drain the tank.

⚠ CAUTION: Make sure that the system pressure is never lower than 4 bar (58 psi) below precharge. If system pressure needs to be lowered, the tank should be isolated or emptied as previously described.

- This is a diaphragm type pressure tank for use on a well water or booster system. The system must be protected by a suitable relief valve.
- FlowThru™ Series tanks should only be used in Variable Speed Drive or Variable Frequency Drive controlled pumping systems.

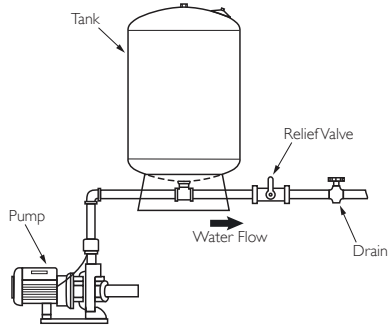


Fig. 1.4-2 With Convertible Jet Pump

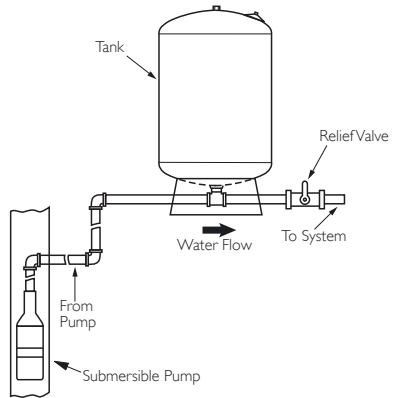


Fig. 1.4-3 With Submersible Pump

1.4 Typical Installations

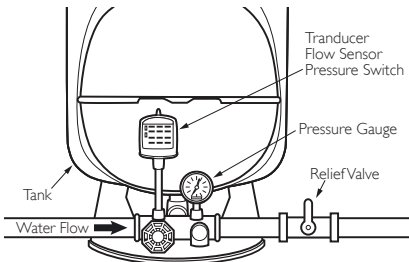


Fig. 1.4-1 Tank Installation with Accessories

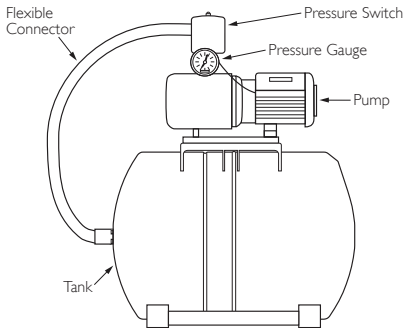


Fig. 1.4-4 Booster Pump w/ Horizontal Tank

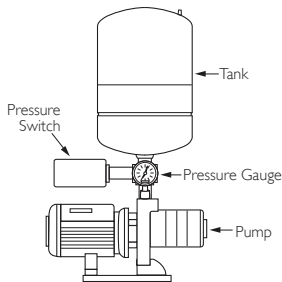


Fig. 1.4-5 Booster Pump w/ Inline Tank

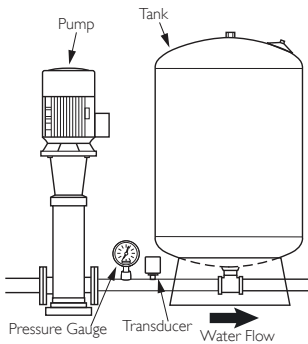


Fig. 1.4-6 Booster Pump w/ Tank

1.5 Multiple Tank Installation

All tanks must have the same precharge for the system to function properly. Tanks should be installed on a header to ensure all tanks receive equal and balanced pressure. Adjust each tank precharge as detailed in section 1.3. The system pressure switch or control should be centrally located (see Fig 1.5) in order for the tanks to function properly.

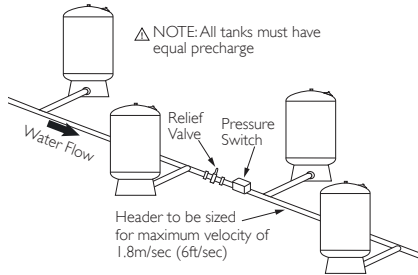


Fig. 1.5 Multi-tank Installation

1.6 Pump Run Control Operating Principles

Without a pressure tank, a water system's pump would cycle (turn on) every time there was a demand for water. This frequent and potentially short cycling would shorten the life of the pump. Pressure tanks are designed to store water when the pump is running and then deliver pressurized water back to the system when the pump is shut off (Fig 1.6). A properly sized tank will store at least one liter of water for every liter per minute (LPM) of pump capacity. This allows for fewer pump starts and longer run times which should maximize the life of the pump.

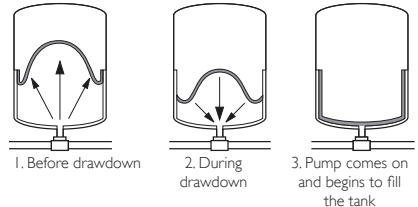


Fig. 1.6

1.7 Replacing Plain Steel Tanks with GWS Tanks

GWS recommends that defective plain steel tanks are replaced with GWS tanks. It is strongly recommended that a relief valve is installed at the GWS tank connection. Also be sure to plug the air port on a jet pump, as air is no longer required to be supplied to the tank.

2. Thermal Expansion Tank Installation

Thermal expansion tanks are designed to accommodate the natural expansion of water as it is heated. Thermal expansion tanks may be used in several different applications including closed loop hydronic heating systems, direct and indirect solar heating systems, and open loop potable water heating systems. GWS has developed three different series of tanks to be used for each application: HeatWave™ for closed loop hydronic heating systems, SolarWave™ for indirect closed loop solar heating systems, and ThermoWave™ for direct solar heating and open loop potable water heating systems. For high volume thermal expansion applications Challenger™ and SuperFlow™ Series tanks may be used.

⚠ CAUTION: Check tank data label for maximum operating pressure and temperature prior to installing.

⚠ CAUTION: Additives (such as glycol) can affect the thermal expansion and expansion tank operation. Check with your GWS dealer or nearest GWS sales office for more details.

⚠ WARNING: It is strongly recommended that any heating system is protected by a suitable pressure relief valve set at or below the maximum tank pressure rating. Failure to install a relief valve may result in tank explosion in the event of a system malfunction or over pressurization, resulting in property damage, serious personal injury or death.

2.1 Precharge

Using a suitable pressure gauge, check the tank precharge pressure prior to installation. Refer to the tank data label for factory precharge pressure. HeatWave™ tanks in closed loop heating circuits should be precharged to system fill pressure. ThermoWave™ tanks in open loop heating storage systems should be precharged to mains pressure. For SolarWave™ tanks in closed loop solar systems precharge should be set at minimum system operating pressure and / or fill pressure. Release or add air by the tank air valve accordingly. Make sure the tank is completely drained of water and there is no system pressure affecting the precharge pressure reading when adjusting tank precharge.

2.2 Thermal Expansion Tank Location

As tanks, pipes and connections can leak even when installed correctly, make sure to install the tank at a location where any leak will not cause water damage. The thermal expansion tank should be installed on the cold or supply side of any heating system. The tank should be installed indoors and protected from freezing temperatures.

2.3 System Connection

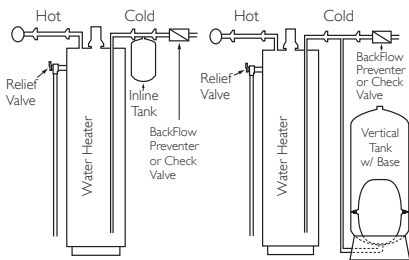


Fig. 2.3-1

Fig. 2.3-2

Thermal expansion inline tanks are designed to be supported by system piping and should be connected to the system piping using a "T" connection (See Fig. 2.3-1). Optional wall mounting brackets are also available for increased support (check with your local GWS dealer for more information). Vertical tanks with base are designed to be self-supporting and should be connected to the system with additional piping (See Fig. 2.3-2).

2.4 Solar Heating System Connections

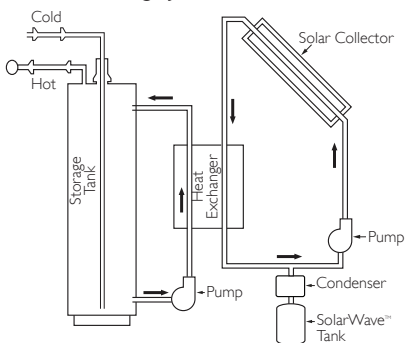


Fig. 2.4

SolarWave™ tanks are intended for use in the solar liquid loop of indirect thermal transfer systems and may be mounted either on the suction or pressure side of the circulation pump. If a condenser is employed to cool evaporated solar liquid it must be in the location between the solar liquid loop and the expansion tank. A relief valve should be employed and maximum operating parameters must not be exceeded. If the temperature of the solar system has the potential to rise above the evaporation point of the solar liquid, a condenser chamber or coil is required between the solar collector and the expansion tank (See Fig. 2.4).

2.5 Thermal Expansion Operating Principles

As water is heated it expands. A thermal expansion tank is used to accommodate for this natural water expansion, which otherwise may lead to increased system pressure and cause damage to piping, fittings and other system components. A thermal expansion tank uses a diaphragm membrane sealed inside the vessel to create a barrier between water and air chambers. The air chamber acts as a cushion which compresses as heated water expands. The thermal expansion tank absorbs the expanded water volume and ensures constant system pressure is maintained. Using a thermal expansion tank also conserves water and energy. This is accomplished by eliminating the need to refill and reheat water lost due to venting from the relief valve during heating cycles.

3. Disposal

Check with local authorities for proper disposal and recycling.



Series PressureWave™ / Max™ / UltraMax™ / M-Inox™ / E-Wave™ /
Challenger™ / C2-Lite CAD™ / FlowThru™ / All-Weather™ / HeatWave™ /
SolarWave™ / ThermoWave™

PRECAUCIONES Y ADVERTENCIAS

- ⚠ **PRECAUCIÓN:** Para evitar lesiones, antes de realizar el trabajo asegúrese de liberar toda la presión de agua del equipo de presión. Asegúrese de que las bombas estén desconectadas y / o sin corriente eléctrica.
- ⚠ **ADVERTENCIA:** Se recomienda comprobar que el sistema dispone de un conjunto de válvulas de seguridad adecuadas, ajustadas a la máxima presión efectiva del depósito o por debajo de ella. No instalar una válvula de seguridad puede ocasionar la explosión del depósito en caso de malfuncionamiento de un sistema o la sobrepresurización, lo que puede provocar daños en la propiedad, lesiones graves o la muerte.
- ⚠ **ADVERTENCIA:** No utilice el depósito a presión si se detectan fugas o presenta signos de corrosión.

Instalado en _____ por _____

POR FAVOR, ANTES DE INSTALAR EL DEPÓSITO GLOBAL WATER SOLUTIONS (GWS), LEA LAS INSTRUCCIONES COMPLETAS

Estas instrucciones se prepararon para que usted se familiarice con el método correcto de instalación y funcionamiento del depósito a presión GWS. Es necesario que lea este documento con cuidado y que cumpla con todas las recomendaciones. En caso de que se presenten dificultades durante la instalación o que necesite asesoramiento detallado, comuníquese con el distribuidor donde adquirió el sistema o con la oficina de ventas GWS más cercana.

- Los depósitos de las series PressureWave™, Max™, UltraMax™, M-Inox™, E-Wave™, All-Weather™, Challenger™, C2-Lite CAD™ y FlowThru™ están diseñados para utilizarlos en equipos de presión, bien sea sumergido (pozo o depósito) o de superficie (booster, jet). Consulte la Secc. 1 para conocer detalles de la instalación.
- Los depósitos de las series HeatWave™ y SolarWave™ están diseñados para utilizarlos en sistemas de calentamiento hidrónico por circuito cerrado de agua no potable o de calentamiento de agua por energía solar. Consulte la Sec. 2 para conocer detalles de la instalación.
- Los depósitos de la serie ThermoWave™ están diseñados para utilizarlos en aplicaciones de calentamiento de agua caliente sanitaria (ACS) por circuito abierto. Las series PressureWave™, E-Wave™ y Challenger™ también pueden utilizarse en aplicaciones de calentamiento de agua potable por circuito abierto. Consulte la Secc. 2 para conocer detalles de la instalación.
- Vea los datos de la etiqueta para conocer la presión máxima de funcionamiento y la temperatura máxima.
- Asegúrese de proteger el depósito, la tubería y todos los componentes del sistema de las bajas temperaturas.
- El fabricante no es responsable de ningún daño causado por el agua en relación con este depósito de membrana a presión.

LA INSTALACIÓN DEBE REALIZARSE CONFORME A LOS CÓDIGOS DE FONTANERÍA LOCALES Y ESTATALES.

1. Instalación del depósito en equipos de presión.

1.1 Ubicación adecuada del depósito GWS

Para garantizar que el depósito alcance su máxima vida útil, siempre debe instalarse en un lugar seco y cubierto. No debe rozar contra ninguna de las superficies circundantes, como paredes, etc.

Instale el depósito en un lugar adecuado para evitar daños causados por fugas de agua. El depósito siempre debe colocarse en la salida de la bomba. Si se coloca en una altura menor que la exigida debe instalarse una válvula de contención. Si el depósito se instala alejado de la bomba instale el presostato cerca de él. El depósito debe instalarse tan cerca como sea posible del presostato, transductor o sensor de caudal. Esto reducirá los efectos adversos de las pérdidas por fricción y las diferencias en las elevaciones entre el depósito y / o la tubería principal del agua y el presostato, transductor o sensor.

1.2 Conexión del sistema

1. Coloque el depósito GWS en el lugar deseado.
2. Nivele según corresponda. Todos los depósitos de modelo vertical u horizontal deben colocarse sobre una base firme. Si existe la probabilidad de que se produzcan vibraciones en los alrededores del depósito, tenga en cuenta que la instalación deber diseñarse para ser suficientemente resistente. Los depósitos con bases de acero deben montarse utilizando los soportes en "L" que se suministran, mientras que los depósitos con bases de plástico deben montarse utilizando los orificios que aparecen en sus mismas bases. En el caso de bases sin orificios, éstos deben perforarse en cuatro puntos equidistantes a lo largo del borde periférico de la base y después realizar el montaje como corresponda. Los depósitos en línea deben conectarse directamente a la bomba o al conducto de abastecimiento de agua mediante una conexión en "T".
3. Conecte el depósito al conducto de abastecimiento con un tubo corto para eliminar pérdidas por fricción innecesarias.
4. Toda la tubería debe ser conforme a los estándares y códigos locales en vigencia.
5. Consulte la etiqueta de datos del depósito para verificar las conexiones de rosca BSP o NPT.
6. Los depósitos que están montados en grupos de presión deben sujetarse con correas durante el envío.

1.3 Cómo ajustar la presión de precarga

Para lograr el adecuado rendimiento del depósito es necesario corregir la presión de precarga.

1. Para depósitos instalados con una bomba controlada por presostato, con una presión diferencial ajustada hasta 2 bar (30 psi), la precarga debe ajustarse a 0,2 bar (2 psi) por debajo de la presión de arranque.
2. Para depósitos instalados con una bomba controlada por un presostato con una presión diferencial mayor a 2 bar (30 psi), controles electrónicos o controles de velocidad variable, la precarga debe ajustarse a 65% de la presión de corte o de la presión máxima del sistema.
3. Para depósitos instalados con presión de red (sin bomba), la precarga debe ajustarse al mismo valor de la presión de entrada. Para presiones de entrada que excedan de 6 bar (88 psi) debe

instalarse un regulador de presión adecuado.

Para obtener un funcionamiento correcto, los depósitos a presión deben pre cargarse de la siguiente manera:

1. Apague la bomba, desconecte el depósito del sistema y drene completamente el agua que se encuentra dentro del depósito para evitar que la presión del agua afecte las lecturas de precarga.
 2. Con un manómetro adecuado, verifique la presión de precarga del depósito.
 3. Libere o añada aire, según corresponda, para ajustar a la presión de precarga requerida.
 4. Reemplace la tapa protectora de la válvula de aire y selle con la etiqueta de la válvula protectora, si se proporciona. Esto le permitirá determinar si se ha intentado forzar la válvula en el caso de futuros servicios.
 5. Después de haber ajustado correctamente la precarga, no se necesitan controles regulares de la carga de aire.
- No compruebe el aire después de la instalación.

⚠ PRECAUCIÓN: Nunca cargue en exceso el depósito y solamente precargue el depósito con aire a temperatura ambiente.

Si la precarga del depósito va a ser superior a 4 bar (58 psi):

1. Ajuste la precarga del depósito en 4 bar (58 psi).
2. Instale el depósito en el sistema.
3. Llene de agua el sistema para igualar la presión del sistema y la presión de precarga en 4 bar (58 psi).
4. Aumente la presión de precarga a intervalos máximos de 3 bar (44 psi) y luego llene el sistema de agua para ajustar la presión del sistema a la nueva presión de precarga.
5. Repita los pasos 3 y 4 hasta que se obtenga la precarga necesaria.

Vaciado de un depósito que tiene una precarga de más de 4 bar (58 psi):

1. Asegúrese de que haya agua en el depósito.
2. Desconecte el depósito del sistema (cierre la válvula de aislamiento).
3. Asegúrese de que no puede entrar más agua en el depósito (desconecte la bomba y / o el suministro de agua).
4. Libere aire del depósito hasta que la presión de aire / depósito sea de 3 bar (44 psi).
5. Abra una válvula de drenaje y, a continuación, la válvula de aislamiento para drenar el depósito.

⚠ PRECAUCIÓN: Asegúrese de que la presión del sistema nunca descienda más de 4 bar (58 psi) por debajo de la presión de precarga. Cuando sea necesario reducir la presión del sistema, habrá que desconectar o vaciar el depósito como se describe antes.

1.4 Instalaciones típicas

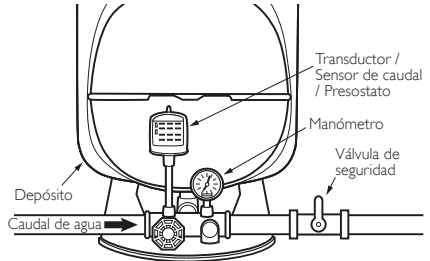


Fig. 1.4-1 Instalación del depósito con accesorios

- Este es un depósito a presión con membrana fija para utilizar en un equipo de presión. El sistema debe estar protegido por una válvula de seguridad adecuada.
- Los depósitos de la serie FlowThru™ solamente deben utilizarse en sistemas de bombeo controlados por unidad de velocidad variable o unidad de frecuencia variable.

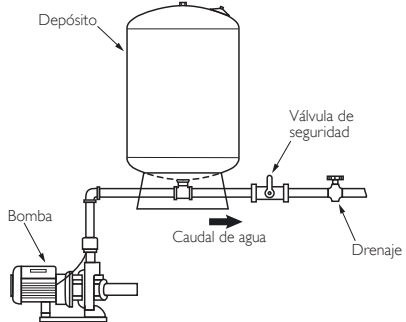


Fig. 1.4-2 Con bomba Jet

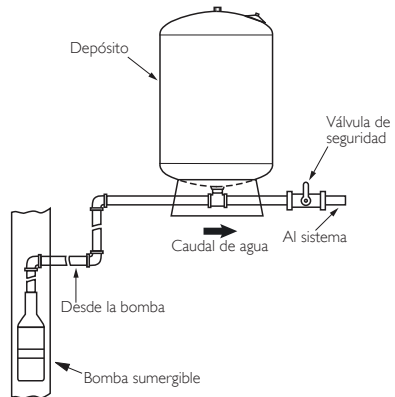


Fig. 1.4-3 Con bomba sumergible

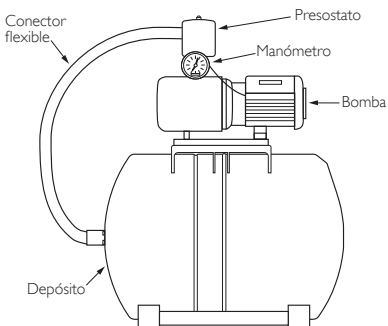


Fig. 1.4-4 Bomba cebadora c/ depósito horizontal

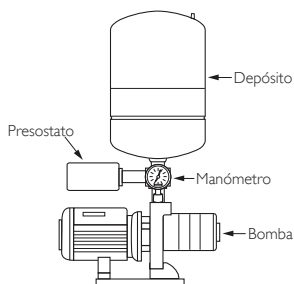


Fig. 1.4-5 Bomba cebadora con depósito en línea

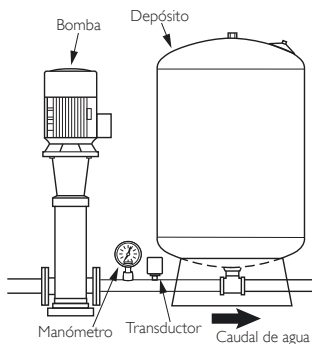


Fig. 1.4-6 Bomba cebadora con depósito

1.5 Instalación de varios depósitos

Para que el sistema funcione correctamente todos los depósitos deben tener la misma precarga. Los depósitos deben instalarse sobre un colector para asegurar que reciban presión equivalente y balanceada. Ajuste la precarga de cada depósito según se detalla en la sección 1.3. Para que los depósitos funcionen correctamente,

el control o presostato debe estar ubicado en la parte central del colector (vea la Fig. 1.5).

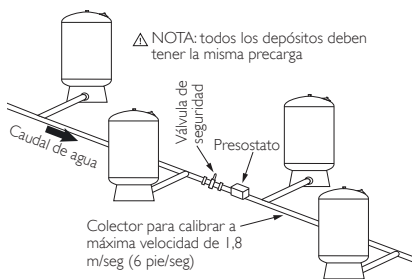


Fig. 1.5 Instalación multidepósitos

1.6 Principios del funcionamiento del control de marcha de la bomba

Sin un depósito a presión, la bomba de un sistema de agua cumplirá un ciclo (activación) cada vez que haya una demanda de agua. Este ciclo frecuente y potencialmente breve podría reducir la vida de la bomba. Los depósitos a presión están diseñados para almacenar agua cuando la bomba se encuentra en funcionamiento y después, cuando la bomba está apagada, envía agua presurizada al sistema (Fig. 1.6). Un depósito correctamente calibrado almacenará al menos un litro de agua por cada litro por minuto (LPM) de capacidad de la bomba. Esto permite que la bomba realice menos arranques y tenga tiempos de marcha más prolongados, lo que debería maximizar la vida útil de la bomba.

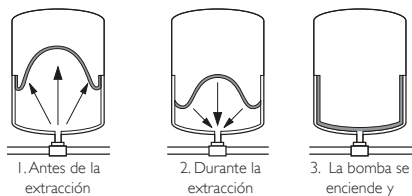


Fig. 1.6

1.7 Cómo reemplazar depósitos de acero galvanizado por depósitos GWS

GWS recomienda que los depósitos de acero galvanizado defectuosos se reemplacen por depósitos GWS. Se insiste en la recomendación de instalar una válvula de seguridad en la conexión del depósito GWS. Recuerde que en este caso no se necesita que se suministre aire al depósito.

2. Instalación de vasos de expansión térmica.

Los vasos de expansión térmica están diseñados para adecuarse a la expansión natural del agua a medida que se calienta. Los vasos de expansión térmica pueden utilizarse en diferentes aplicaciones: sistemas de calentamiento hidrónico por circuito cerrado, sistemas de calentamiento solar directo o indirecto, y sistemas de calentamiento de agua potable por circuito abierto. GWS ha desarrollado tres series diferentes de vasos para utilizar en cada aplicación: HeatWave™ para sistemas de calentamiento hidrónico por circuito cerrado, SolarWave™ para sistemas de calentamiento solar indirecto por circuito cerrado y ThermoWave™ para sistemas de calentamiento

de agua potable por circuito abierto. Para aplicaciones de expansión térmica de gran volumen pueden utilizarse los depósitos de las series Challenger™ y SuperFlow™.

- ⚠ **PRECAUCIÓN:** antes de realizar la instalación, verifique los datos de la etiqueta del vaso para conocer la presión máxima de funcionamiento y la temperatura.
- ⚠ **PRECAUCIÓN:** los aditivos (como el glicol) pueden afectar la expansión térmica y el funcionamiento del vaso de expansión. Para conocer más detalles, consulte con el distribuidor GWS o con la oficina de ventas más cercana.
- ⚠ **ADVERTENCIA:** se recomienda controlar con atención que todos los sistemas de calentamiento estén protegidos por un conjunto de válvulas de seguridad adecuadas ajustadas a la máxima presión efectiva del vaso o por debajo de ella. No instalar una válvula de seguridad puede ocasionar la explosión del vaso en caso de malfuncionamiento de un sistema o la sobrepresurización, lo que puede provocar daños en la propiedad, lesiones graves o la muerte.

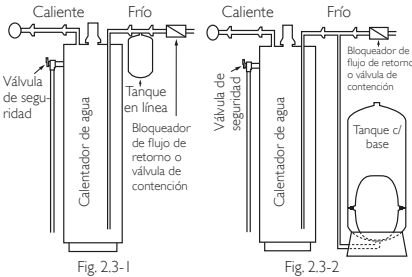
2.1 Precarga

Con un manómetro adecuado, verifique la presión de precarga del depósito antes de la instalación. Consulte los datos de la etiqueta del depósito para conocer la presión de precarga de fábrica. La precarga de los depósitos HeatWave™ en circuitos de calentamiento cerrados debe coincidir con la presión de llenado del sistema. Los depósitos ThermoWave™ de sistemas de almacenamiento de calor por circuito abierto deben precargarse a la presión de entrada. La precarga debe ajustarse a la presión mínima de funcionamiento del sistema y / o la presión de llenado en el caso de los depósitos SolarWave™ de sistemas solares por circuito cerrado. Libere o añada aire mediante la válvula de aire del depósito como corresponda. Asegúrese de haber drenado por completo el agua del depósito y de que no exista presión en el sistema que pueda afectar a la lectura de la presión de precarga al ajustar la precarga del depósito.

2.2 Ubicación del vaso de expansión térmica

Debido a que los vasos de expansión, tuberías y conexiones pueden presentar pérdidas aún cuando están correctamente instalados; asegúrese de instalar el vaso de expansión en un lugar en el que las pérdidas no provoquen daños causados por el agua. El vaso de expansión térmica debe instalarse en el lado frío o auxiliar de cualquier sistema de calentamiento. El depósito debe instalarse en el interior y estar protegido de las temperaturas muy bajas.

2.3 Conexión del sistema



Los vasos de expansión térmica en línea están diseñados para ser soportados por la tubería del sistema y deben conectarse a éste mediante una conexión en "T" (vea la Fig. 2.3-1) Para lograr mayor

soporte también se encuentran disponibles soportes opcionales para montaje en pared (para obtener más información, consulte con el distribuidor local GWS). Los vasos verticales con base están diseñados con apoyo propio y deben conectarse al sistema con tubería adicional (vea la Fig. 2.3-2).

2.4 Conexiones del sistema de energía solar térmica

Los vasos SolarWave™ están diseñados para utilizarlos en los sistemas de circuito de fluidos de transferencia térmica solar indirecta y pueden montarse sobre el lado de succión o de presión de la bomba de circulación. Si se utiliza un condensador para enfriar el fluido solar que se evapora, éste debe colocarse entre el circuito de fluido y el vaso de expansión. Se debe utilizar una válvula de seguridad y no se deben exceder los parámetros máximos de funcionamiento. Si existe la posibilidad de que la temperatura del sistema solar se eleve por encima del punto de evaporación del fluido solar; es necesaria una cámara condensadora o un serpentín entre el colector solar y el depósito de expansión (vea la Fig. 2.4).

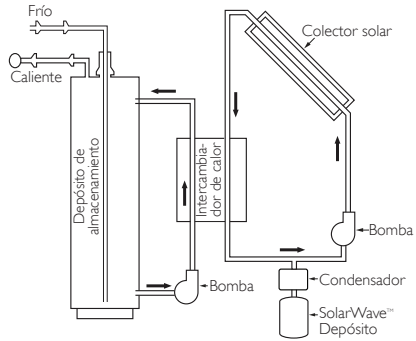


Fig. 2.4

2.5 Principios del funcionamiento de la expansión térmica

Un fluido, cuando aumenta su temperatura, se expande. Un vaso de expansión térmica se utiliza para adecuar esta expansión natural del fluido, que de lo contrario puede llevar a aumentar la presión del sistema hasta provocar daños a la tubería, los adaptadores y demás componentes del sistema. Un vaso de expansión térmica utiliza una membrana de diafragma sellada en el interior del recipiente para crear una barrera entre las cámaras de fluido y de aire. La cámara de aire actúa como un amortiguador que se comprime a medida que el fluido caliente se expande. El vaso de expansión térmica absorbe el volumen del fluido expandido y asegura que la presión del sistema se mantenga constante. Al utilizar un vaso de expansión térmica también se conserva fluido y energía. Esto se lleva a cabo eliminando la necesidad de volver a llenar y volver a calentar la pérdida de fluido debido a la ventilación desde la válvula de seguridad durante los ciclos de calentamiento.

3. Eliminación

Consulte con las autoridades locales para eliminar de manera correcta y reciclar.



Séries PressureWave™ / Max™ / UltraMax™ / M-Inox™ / E-Wave™ / Challenger™ / C2-Lite CAD™ / FlowThru™ / All-Weather™ / HeatWave™ / SolarWave™ / ThermoWave™

CUIDADOS E AVISOS

⚠ **CUIDADO:** De modo a evitar a ocorrência de lesões pessoais, certifique-se de que toda a pressão é libertada do sistema de pressão antes de executar qualquer tipo de trabalhos. Certifique-se de que as bombas estão desligadas e / ou isoladas da alimentação eléctrica.

⚠ **AVISO:** Recomenda-se vivamente que o sistema seja protegido por uma válvula adequada de descarga de pressão, regulada para um valor de pressão igual, ou inferior, ao valor de pressão máxima nominal do vaso de expansão. A não instalação de uma válvula de descarga de pressão pode resultar na explosão do vaso de expansão, em caso de avaria do sistema ou excesso de pressurização, resultando em danos materiais, lesões pessoais graves ou morte.

⚠ **AVISO:** Se o vaso de expansão apresentar fugas ou sinais de corrosão ou danos, não o utilize.

Instalado em _____ por _____

LEIA TODAS AS INSTRUÇÕES ANTES DE PROCEDER À INSTALAÇÃO DO SEU NOVO VASO DE EXPANSÃO DA GLOBAL WATER SOLUTIONS (GWS)

Estas instruções foram preparadas com o objetivo de lhe dar a conhecer o método correto de instalação e utilização do vaso de expansão da GWS. Aconselhamos a estudar este documento com atenção e a seguir todas as recomendações. Na eventualidade de se deparar com dificuldades de instalação ou de necessitar de aconselhamento adicional, deverá contactar o revendedor onde comprou o sistema ou a delegação de vendas da GWS mais próxima.

- Os vasos de expansão das séries PressureWave™, Max™, UltraMax™, M-Inox™, E-Wave™, All-Weather™, Challenger™, C2-Lite CAD™ e FlowThru™ foram concebidos para utilização em sistemas elevadores de pressão de água de poços ou de água potável. Consulte a Secção 1 para obter informações sobre a instalação.
- Os vasos de expansão das séries HeatWave™ e SolarWave™ foram concebidos para utilização em sistemas de termo-transferência em circuito fechado ou de aquecimento de água não potável por energia solar. Consulte a Secção 2 para obter informações sobre a instalação.
- Os vasos de expansão da série ThermoWave™ foram concebidos para utilização em sistemas de aquecimento de água potável em circuito aberto. Os vasos de expansão das séries PressureWave™, E-Wave™ e Challenger™ também podem ser utilizados em sistemas de aquecimento de água potável em circuito aberto. Consulte a Secção 2 para obter informações sobre a instalação.
- Consulte, na etiqueta de especificações do vaso de expansão, as informações sobre a pressão e temperatura máximas de funcionamento.
- Certifique-se de que o vaso de expansão, as tubagens e todos os componentes do sistema ficam protegidos de temperaturas muito baixas.
- O fabricante não é responsável por quaisquer danos causados pela água relacionados com este vaso de expansão equipado com diafragma.

A INSTALAÇÃO TEM DE SER REALIZADA EM CONFORMIDADE COM OS REGULAMENTOS LOCAIS E NACIONAIS RELATIVOS A CANALIZAÇÕES.

1. Instalação do vaso de expansão em sistemas elevadores de pressão de água de poços

1.1 Localização adequada do vaso de expansão GWS

De forma a assegurar o máximo tempo de vida útil do vaso de expansão, o mesmo deverá sempre ser instalado num local coberto e seco. O vaso de expansão não deve estar em contato com superfícies rígidas envolventes, como paredes, etc.

Instale o vaso de expansão num local apropriado para evitar que ocorram danos provocados pela água em caso de fuga. O vaso de expansão deve ser sempre instalado a jusante da bomba. Se for instalado a uma cota inferior à recomendada, deve ser equipado com uma válvula de retenção. Se o vaso de expansão for instalado longe da bomba, instale o pressostato próximo do vaso de expansão. Este deve ser instalado tão próximo quanto possível do pressostato, transdutor ou sensor de caudal. Desta forma reduzir-se-ão os efeitos adversos associados a perdas de pressão mais elevadas e a diferenças nas cotas de instalação entre o vaso de expansão e / ou o circuito de alimentação de água e o pressostato, transdutor ou sensor de caudal.

1.2 Ligação do sistema

1. Coloque o vaso de expansão GWS no local de instalação final pretendido.
2. Proceda ao nivelamento do mesmo consoante o necessário. Todos os vasos de expansão de modelo vertical e horizontal devem ser assentados sobre uma base firme. Se existir a possibilidade de ocorrerem vibrações próxima do vaso de expansão, este deve ser instalado sobre uma estrutura resistente. Os vasos de expansão com bases em aço devem ser montados utilizando os suportes em "L" fornecidos, ao passo que os vasos de expansão equipados com bases plásticas devem ser fixos com parafusos, apertados através dos orifícios existentes na base. No caso de bases fornecidas sem orifícios, estes devem ser abertos em quatro pontos equidistantes, ao longo do arco da base e, em seguida, o vaso de expansão deve ser fixo ao pavimento com parafusos através desses orifícios. Os vasos de expansão em linha devem ser ligados diretamente à bomba ou à linha de fornecimento de água utilizando uma ligação em "T".
3. Efetue a ligação do vaso de expansão à linha de fornecimento de água da bomba empregando um tubo curto, de modo a eliminar as perdas desnecessárias de pressão.
4. Todas as tubagens devem ser instaladas em conformidade com os regulamentos e normas locais em vigor.
5. Consulte, na etiqueta de especificações do vaso de expansão, os binários de aperto em BSP e NPT recomendados para as ligações roscadas.
6. Os vasos de expansão montados sobre bombas elevadoras devem ser amarrados para o transporte.

1.3 Ajuste da pressão de pré-carga

É necessária uma pré-carga correta para se obter o desempenho adequado do vaso de expansão.

1. No caso dos vasos de expansão ligados a uma bomba controlada por pressostato com uma pressão diferencial regulada até aos 2 bar (30 psi), a pré-carga deve ser ajustada para 0,2 bar (2 psi) abaixo da pressão de ligação.
2. No caso dos vasos de expansão ligados a uma bomba

controlada por pressostato com uma pressão diferencial superior a 2 bar (30 psi), controladores electrónicos ou variadores de velocidade, a pré-carga deve ser ajustada para 65% da pressão de desativação ou da pressão máxima do sistema.

- No caso dos vasos de expansão instalados no circuito de fornecimento de água, a pré-carga do vaso de expansão deve ser ajustada por forma a ser igual à pressão do circuito. Se a pressão do circuito de fornecimento de água for superior a 6 bar (88 psi), deve ser instalado um regulador de pressão adequado.

De modo a possibilitar o correto funcionamento, a pré-carga dos vasos de expansão deve ser efetuada da seguinte forma:

- Desligue a bomba, desmonte o vaso de expansão do sistema e drene toda a água do mesmo, de modo a evitar que a pressão hidráulica afete os valores da pré-carga.
- Utilizando um manómetro adequado, verifique a pressão de pré-carga do vaso de expansão.
- Liberte ou adicione ar consoante o necessário para ajustar a pressão de pré-carga recomendada.
- Substitua a tampa protectora da válvula de ar e sele-a com a etiqueta da válvula de ar; se esta for fornecida. Isto permitirá determinar se a válvula foi mexida, no caso de futuras intervenções de assistência técnica.
- Depois da pré-carga ser corretamente ajustada, não são necessárias verificações regulares da pressão do ar.

Não verifique a pressão do ar após a instalação.

⚠ CUIDADO: Nunca submeta o vaso de expansão a uma pressão excessiva, e efetue a pré-carga apenas com ar à temperatura ambiente!

Se desejar carregar o vaso de expansão com uma pré-carga superior a 4 bar (58 psi):

- Ajuste a pré-carga do vaso de expansão para 4 bar (58 psi).
- Instale o vaso de expansão no sistema.
- Encha o sistema com água para o equilibrar e faça a pré-carga para uma pressão de 4 bar (58 psi).
- Aumente a pressão de pré-carga, no máximo, em intervalos de 3 bar (44 psi) e depois ajuste a pressão do sistema para a nova pressão de pré-carga enchendo o sistema com água.
- Repita os passos 3 e 4 até alcançar a pressão de pré-carga desejada.

Despejar um vaso de expansão com uma pré-carga superior a 4 bar (58 psi):

- Certifique-se de que o vaso de expansão contém alguma água.
- Isole o vaso de expansão do sistema (feche a válvula de isolamento).
- Certifique-se de que nenhuma água adicional pode entrar no vaso de expansão (desligue a bomba e / ou o fornecimento de água).
- Liberte o ar do vaso de expansão até restarem apenas 3 bar (44 psi) de pressão.
- Abra a válvula de drenagem seguida da válvula de isolamento para despejar o vaso de expansão.

⚠ CUIDADO: Certifique-se de que a pressão do sistema nunca esteja 4 bar (58 psi) abaixo da pressão de pré-carga. Se for necessário reduzir a pressão do sistema, o vaso de expansão deve ser isolado ou despejado, conforme o descrito anteriormente.

1.4 Instalações típicas

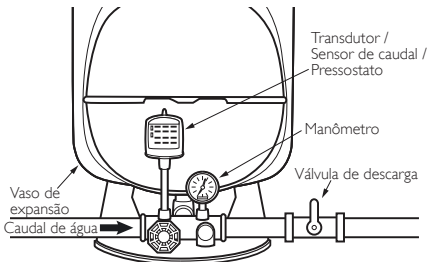


Fig. 1.4-1 Instalação do vaso de expansão com acessórios

- Este é um vaso de expansão equipado com diafragma, para utilização num sistema de água de poços ou elevador de pressão. O sistema tem de estar protegido por uma válvula de descarga adequada.
- Os vasos de expansão da série FlowThru™ devem ser utilizados apenas em sistemas de bombeamento controlados por variadores de velocidade ou variadores de frequência.

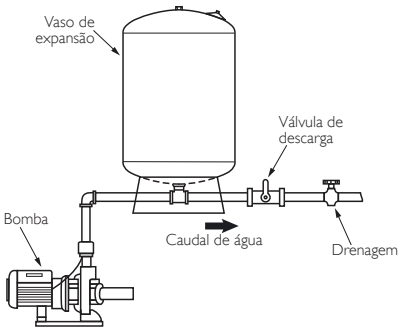


Fig. 1.4-2 Com bomba de jato reversível

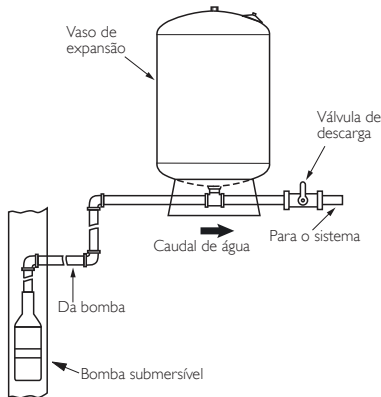


Fig. 1.4-3 Com bomba submersível

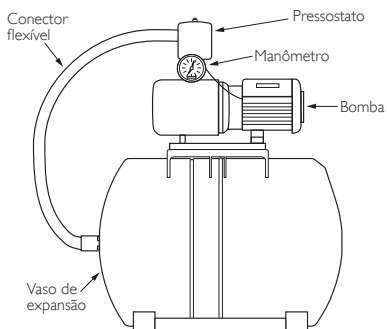


Fig. 1.4-4 Bomba elevadora de pressão com vaso de expansão horizontal

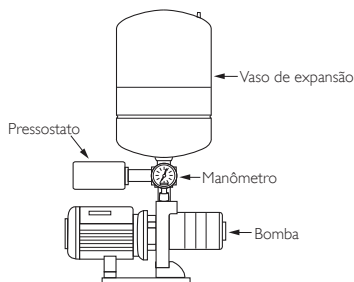


Fig. 1.4-5 Bomba elevadora de pressão com vaso de expansão em linha

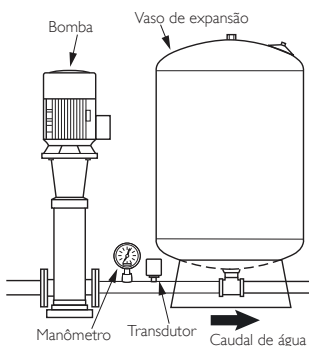


Fig. 1.4-6 Bomba elevadora de pressão com vaso de expansão

1.5 Instalação de vários vasos de expansão

Todos os vasos de expansão têm de ter o mesmo valor de pré-carga para que o sistema funcione corretamente. Os vasos de expansão devem ser instalados num tubo coletor, de modo a assegurar que todos recebem uma pressão igual e equilibrada.

Ajuste a pré-carga de cada vaso de expansão conforme indicado na secção 1.3. O pressostato ou controle do sistema deve ser instalado num ponto central (observe a Fig. 1.5), de modo a que os vasos de expansão funcionem corretamente.

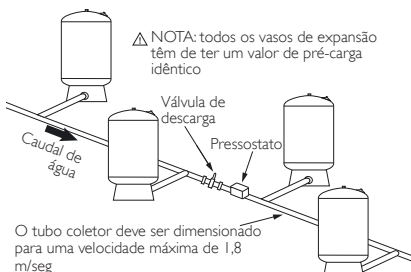


Fig. 1.5 Instalação de vários vasos de expansão

1.6 Princípios de funcionamento do controle da velocidade da bomba

Sem um vaso de expansão, a bomba de um sistema de água entraria em funcionamento sempre que fosse solicitada água ao sistema. Este ciclo de funcionamento frequente e, potencialmente, de curta duração, originaria a diminuição do tempo de vida da bomba. Os vasos de expansão são concebidos para armazenar água quando a bomba está em funcionamento e, em seguida, fornecer água pressurizada ao sistema quando a bomba é desligada (Fig. 1.6). Um vaso de expansão adequadamente dimensionado armazenará, pelo menos, um litro de água por cada litro por minuto (LPM) de capacidade da bomba. Isto permite que a bomba entre em funcionamento menos vezes e, por outro lado, funcione durante mais tempo de cada vez que é ligada, o que maximiza o tempo de vida da bomba.

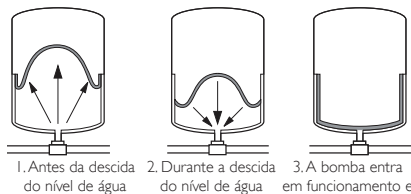


Fig. 1.6

1.7 Substituição de vasos de expansão em aço simples por vasos de expansão GWS

A GWS recomenda que os vasos de expansão em aço simples defeituosos sejam substituídos por vasos de expansão GWS. Recomenda-se vivamente a instalação de uma válvula de descarga na ligação do vaso de expansão GWS. Nas bombas de jacto, certifique-se também de que tapa a porta de ar; dado já não ser necessário fornecer ar ao vaso de expansão.

2. Instalação de vasos de expansão térmica

Os vasos de expansão térmica são concebidos para acomodar a expansão natural da água à medida que é aquecida. Os vasos de expansão térmica podem ser utilizados em várias aplicações diferentes, incluindo sistemas de aquecimento por termo-transferência em circuito fechado, sistemas de aquecimento direto ou indireto por energia solar e sistemas de aquecimento de água potável em circuito aberto. A GWS desenvolveu três séries diferentes de vasos de expansão para utilização em cada

aplicação: a série HeatWave™, para sistemas de aquecimento por termo-transferência em circuito fechado, a série SolarWave™, para sistemas de aquecimento indireto por energia solar; e a série ThermoWave™, destinada a sistemas de aquecimento direto por energia solar e a sistemas de aquecimento de água potável em circuito aberto. Para aplicações de expansão térmica de volumes elevados, podem ser utilizados os vasos de expansão das séries Challenger™ e SuperFlow™.

⚠ CUIDADO: antes de proceder à instalação, consulte a etiqueta de especificações do vaso de expansão, para obter informações sobre a pressão e temperatura máximas de funcionamento.

⚠ CUIDADO: os aditivos (como o glicol) podem afetar a expansão térmica e o funcionamento do vaso de expansão. Consulte o seu revendedor da GWS ou a delegação de vendas da GWS mais próxima para obter mais informações.

⚠ AVISO: Recomenda-se vivamente que todo e qualquer sistema de aquecimento seja protegido por uma válvula adequada de descarga de pressão, regulada para um valor de pressão igual, ou inferior, ao valor de pressão máxima nominal do vaso de expansão. A não instalação de uma válvula de descarga de pressão pode resultar na explosão do vaso de expansão, em caso de avaria do sistema, resultando em danos materiais, lesões pessoais graves ou morte.

2.1 Pré-carga

Utilizando um manómetro adequado, verifique a pressão de pré-carga do vaso de expansão antes de proceder à instalação. Consulte, na etiqueta de especificações do vaso de expansão, o valor de fábrica da pressão de pré-carga. Os vasos de expansão HeatWave™ em circuitos fechados de aquecimento devem ser pré-carregados à pressão de enchimento do sistema. Os vasos de expansão ThermoWave™ em circuitos abertos de termo acumulação devem ser pré-carregados à pressão da rede. Para os vasos de expansão SolarWave™ em sistemas de energia solar em circuito fechado, a pré-carga deve ser configurada à pressão mínima de funcionamento do sistema e / ou à pressão de enchimento. Liberte ou adicione ar através da válvula de ar do vaso de expansão, consoante o necessário. Certifique-se de que foi drenada toda a água do vaso de expansão e de que não existe pressão no sistema que afete a leitura da pressão de pré-carga quando ajustar a pré-carga do vaso de expansão.

2.2 Localização do vaso de expansão térmica

Dado poderem ocorrer fugas nos vasos de expansão, tubagens e ligações, mesmo estando corretamente montados, certifique-se de que instala o vaso de expansão num local onde eventuais fugas não causem danos devidos à água. O vaso de expansão deve ser instalado no lado frio, ou de entrada, de qualquer sistema de aquecimento. Deve também ser instalado no interior e protegido de temperaturas muito baixas.

2.3 Ligação do sistema

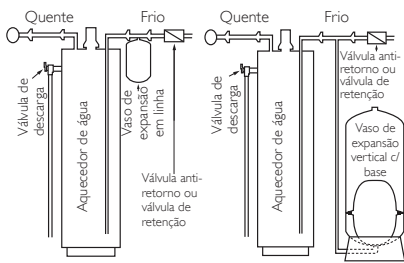


Fig. 2.3-1

Fig. 2.3-2

Os vasos de expansão térmica em linha foram concebidos para serem suportados pela tubagem do sistema, devendo ser ligados ao mesmo utilizando uma ligação em "T" (observe a Fig. 2.3-1). Estão também disponíveis suportes de montagem na parede, para maior robustez de instalação (consulte o seu revendedor da GWS local para obter mais informações). Os vasos de expansão verticais com base foram concebidos para montagem autónoma, devendo ser ligados ao sistema através de tubagens adicionais (observe a Fig. 2.3-2).

2.4 Ligações do sistema de aquecimento por energia solar

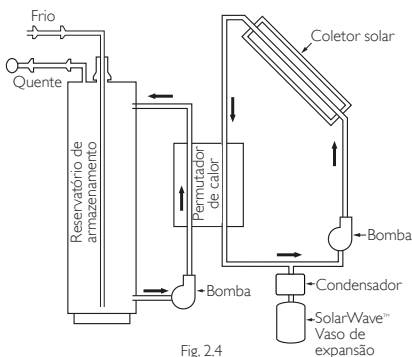


Fig. 2.4

Os vasos de expansão SolarWave™ destinam-se a ser utilizados no circuito do líquido de aquecimento solar de sistemas de termo-transferência indireta, podendo ser montados a montante ou a jusante da bomba de circulação. Caso seja utilizado um condensador para arrefecer o líquido de aquecimento solar evaporado, o mesmo tem de ser instalado entre o circuito do líquido de aquecimento solar e o vaso de expansão. Deve ser instalada uma válvula de descarga e não serem excedidos os parâmetros máximos de funcionamento. Se a temperatura do sistema de aquecimento solar apresenta a possibilidade de exceder o ponto de evaporação do líquido de aquecimento solar, é necessário instalar uma câmara de condensador ou serpentina entre o coletor solar e o vaso de expansão (observe a Fig. 2.4).

2.5 Princípios de funcionamento da expansão térmica

À medida que é aquecida, a água aumenta de volume. Um vaso de expansão térmica é utilizado para acomodar esta expansão natural da água que, de outra forma, pode conduzir a um aumento da pressão no sistema e a danos nas tubagens, ligações e outros componentes do sistema. Um vaso de expansão térmica utiliza uma membrana em diafragma, selada no interior do vaso de expansão, para criar uma barreira entre as câmaras de água e de ar. A câmara de ar atua como um amortecedor; comprimindo-se à medida que a água aquecida se expande. O vaso de expansão térmica absorve o volume de água expandido, garantindo a manutenção constante da pressão do sistema. A utilização de um vaso de expansão térmica também economiza água e energia. Isto é conseguido através da eliminação da necessidade de reposição ou de reaquecimento da água, motivados pela ventilação provocada pela válvula de descarga durante os ciclos de aquecimento.

3. Eliminação

Consulte as autoridades locais para obter informações sobre a adequada eliminação e reciclagem deste equipamento.



Séries PressureWave™ / Max™ / UltraMax™ / M-Inox™ / E-Wave™ /
 Challenger™ / C2-Lite CAD™ / FlowThru™ / All-Weather™ / HeatWave™ /
 SolarWave™ / ThermoWave™

MISES EN GARDE ET AVERTISSEMENTS

⚠ MISE EN GARDE : Pour éviter des blessures corporelles, veillez à ce que toute l'eau soit libérée du système avant le début des travaux. Assurez-vous que la / les pompe(s) ont été débranchées et / ou électriquement isolées.

⚠ AVERTISSEMENT : Il est vivement recommandé de veiller à ce que le système soit protégé par une soupape de décharge réglée au niveau ou en deçà de la pression maximale de fonctionnement du réservoir. La non-installation d'une soupape de décharge peut provoquer l'explosion du réservoir en cas de dysfonctionnement ou de surpressionisation d'un système, ce qui peut occasionner des dégâts matériels et des dommages corporels pouvant entraîner jusqu'à la mort.

⚠ AVERTISSEMENT : Si le réservoir à pression connaît une fuite ou présente des signes de corrosion ou de dommages, évitez de vous en servir.

Installé le _____ par _____

VEUILLEZ LIRE TOUTES LES CONSIGNES AVANT DE PROCÉDER À L'INSTALLATION DE VOTRE NOUVEAU RÉSERVOIR GLOBAL WATER SOLUTIONS (GWS)

Ces consignes ont été conçues pour vous aider à vous familiariser avec la bonne méthode d'installation et d'utilisation de votre réservoir à pression GWS. Nous vous conseillons de lire attentivement ce document et d'en suivre toutes les recommandations. Si vous éprouvez des difficultés pendant l'installation ou avez besoin de conseils supplémentaires, veuillez contacter le revendeur auprès de qui vous avez acheté le produit. À défaut, rapprochez-vous du bureau de ventes GWS le plus proche.

- Les réservoirs de série PressureWave™, Max™, UltraMax™, M-Inox™, E-Wave™, All-Weather™, Challenger™, C2-Lite CAD™, et FlowThru™ ont été mis au point pour être utilisés dans les systèmes de surpression d'eau de puits ou d'eau potable. Pour les détails relatifs à l'installation, reportez-vous à la section 1.
- Les réservoirs de série HeatWave™ et SolarWave™ ont été conçus pour être utilisés dans des systèmes de chauffage hydronique de l'eau non-potable en circuit fermé ou dans les circuits primaires de chauffe eau solaires. Pour les détails relatifs à l'installation, reportez-vous à la section 2.
- Les réservoirs de série ThermoWave™ ont été conçus pour être utilisés dans des applications d'eau chaude sanitaire en circuit ouvert. Les séries PressureWave™, E-Wave™, et Challenger™ peuvent également être utilisées dans des applications d'eau chaude sanitaire en circuit ouvert. Pour les détails relatifs à l'installation, reportez-vous à la section 2.
- Reportez-vous à l'étiquette de données du réservoir pour la pression de fonctionnement et la température maximale.
- Veillez à protéger le réservoir, la canalisation et toutes les composantes du système contre les températures de gel.
- Le fabricant décline toute responsabilité en cas de dégâts causés par l'eau en relation avec ce réservoir de pression à membrane.

L'INSTALLATION DOIT ÊTRE CONFORME AUX CODES DE PLOMBERIE LOCAUX ET EN VIGUEUR DANS LE PAYS OÙ L'APPAREIL EST INSTALLÉ.

1. Installation du réservoir d'eau pour puit et du système de surpression

1.1 Un emplacement approprié pour le réservoir GWS

Afin de veiller à ce que votre réservoir fonctionne au mieux de ses capacités pendant toute de sa durée de vie, celui-ci doit toujours se situer en aval de la pompe. Si le réservoir se trouve à une élévation inférieure à la normale, un clapet de non-retour doit alors être installé. Si le réservoir a été installé à une distance conséquente de la pompe, alors, installez le manomètre à proximité du réservoir. Le réservoir doit être installé le plus proche possible du manomètre, du transducteur ou du capteur de débit. Cette précaution vous permettra de réduire les effets secondaires occasionnés par la perte de charge par frottement et les différences au niveau de l'élévation entre le réservoir et / ou la conduite principale et le manomètre, le transducteur ou le capteur de débit.

Installez le réservoir à un emplacement adapté qui lui permette d'être à l'abri des dégâts causés par le ruissellement. Le réservoir doit toujours se situer en aval de la pompe. Si le réservoir se trouve à une élévation inférieure à la normale, un clapet de non-retour doit alors être installé. Si le réservoir a été installé à une distance conséquente de la pompe, alors, installez le manomètre à proximité du réservoir. Le réservoir doit être installé le plus proche possible du manomètre, du transducteur ou du capteur de débit. Cette précaution vous permettra de réduire les effets secondaires occasionnés par la perte de charge par frottement et les différences au niveau de l'élévation entre le réservoir et / ou la conduite principale et le manomètre, le transducteur ou le capteur de débit.

1.2 Système de connexion

1. Installez le réservoir GWS sur son emplacement final.
2. Mettez-le à niveau autant que nécessaire. Tous les modèles de réservoirs verticaux et horizontaux doivent être installés sur une base ferme. S'il est probable que des vibrations se produisent aux alentours, assurez-vous d'installer le réservoir sur un support résistant. Les réservoirs à support en acier doivent être installés à l'aide des esqueres fournies, tandis que les réservoirs à support en plastique doivent être installés au moyen des trous situés sur le bas. Pour les supports sans trous, des trous doivent être percés sur quatre points équidistants le long du bord du support, puis installés en conséquence. Les réservoirs sans support doivent être connectés directement à la pompe ou à la conduite d'alimentation grâce à un raccord en "T".
3. Établissez une connexion à la conduite d'alimentation de la pompe à l'aide d'un tuyau de courte taille afin d'éliminer les pertes de friction inutiles.
4. La tuyauterie toute entière doit être en conformité avec les codes et standards en vigueur dans la localité.
5. Reportez-vous à l'étiquette des données du réservoir pour confirmer les standards des filetages (BSP ou NPT).
6. Il est conseillé d'armer les réservoirs installés sur des groupes de surpression pour l'expédition.

1.3 Ajustement de la pression de prégonflage

Pour que le réservoir fonctionne correctement, un prégonflage adapté est nécessaire.

1. Pour les réservoirs installés avec une pompe contrôlée par un contacteur manométrique et avec un différentiel de pression égal ou inférieur à 2 bar (30 psi), le prégonflage doit être réglé 0,2 bar (2 psi) en deçà de la pression d'enclenchement.
2. Pour les réservoirs installés avec une pompe contrôlée par un contacteur manométrique et dotée d'un différentiel de pression supérieur à 2 bar (30 psi), ou de contrôles électroniques ou de variateur de fréquence, le prégonflage doit être définie sur 65% de la pression d'arrêt de la pompe.
3. Pour les réservoirs installés directement sur le réseau (sans pompe) le prégonflage du réservoir doit être égal à la

pression du réseau. Pour une pression du réseau excédant 6 bars (88 psi) un régulateur de pression approprié doit être installé.

Pour un fonctionnement approprié, les réservoirs de pression doivent être préalablement gonflés ainsi qu'il suit:

1. Arrêtez le fonctionnement de la pompe, déconnectez le réservoir du système et vidangez complètement toute eau contenue dans le réservoir pour éviter que la pression de l'eau n'affecte les lectures de précharge.
2. À l'aide d'un manomètre, vérifiez la pression de prégonflage du réservoir.
3. Relâchez ou ajoutez de l'air autant que nécessaire afin d'ajuster le niveau au prégonflage requis.
4. Remplacez le bouchon de protection de la valve d'air et scellez avec l'étiquette de la valve d'air, si fournie. En procédant ainsi, vous pourrez savoir si quelqu'un d'autre a manipulé la valve lors d'éventuels travaux de maintenance.
5. Après avoir correctement réglé le prégonflage, aucune vérification régulière de pression d'air n'est requise.

Évitez de vérifier l'air après l'installation.

⚠ ATTENTION: Ne surgonflez jamais le réservoir et gonflez-le uniquement avec de l'air à une température ambiante!

Si le réservoir doit être gonflé au-dessus de 4 bars (58 psi):

1. Ajustez le prégonflage du réservoir à 4 bars (58 psi).
2. Installez le réservoir dans le système.
3. Faites monter la pression de l'eau pour équilibrer la pression du système et de prégonflage à 4 bars (58 psi).
4. Augmentez la pression de prégonflage par paliers de 3 bars (44 psi) maximums puis ajustez la pression du système à la nouvelle pression de prégonflage en augmentant la pression de l'eau.
5. Répétez les étapes 3 et 4 jusqu'à ce que le niveau de prégonflage requis soit atteint.

Vidange d'un réservoir ayant un prégonflage supérieur à 4 bars (58 psi):

1. Veillez à ce qu'il y ait de l'eau dans le réservoir.
2. Isolez le réservoir du système (fermez la vanne d'isolement).
3. Assurez-vous qu'aucune eau supplémentaire ne puisse pénétrer à l'intérieur du réservoir (éteignez la pompe et / ou coupez l'arrivée d'eau).
4. Laissez échapper de l'air du réservoir jusqu'à ce que la pression du réservoir / de l'air restante soit égale à 3 bars (44 psi).
5. Ouvrez un clapet de vidange puis la vanne d'isolement pour vidanger le réservoir.

⚠ ATTENTION : Veillez à ce que la pression du système ne descende jamais au-delà de 4 bars (58 psi) en dessous du prégonflage. S'il est nécessaire de baisser la pression du système, le réservoir devrait être isolé ou vidé selon les indications ci-dessus.

1.4 Types d'installation

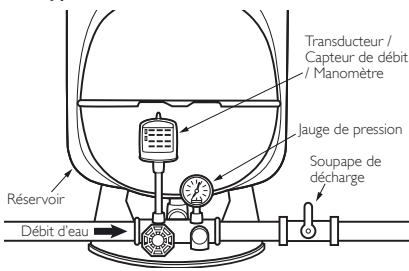


Schéma 1.4-1 Installation du réservoir avec accessoires

- Il s'agit ici d'un réservoir de pression à diaphragme utilisable

sur une eau de puit ou dans un système de surpression. Le système doit être protégé par une soupape de décharge appropriée.

- Les réservoirs de série FlowThru™ doivent uniquement être utilisés dans les systèmes de pompage contrôlés par une commande à vitesse variable ou une commande de fréquence variable.

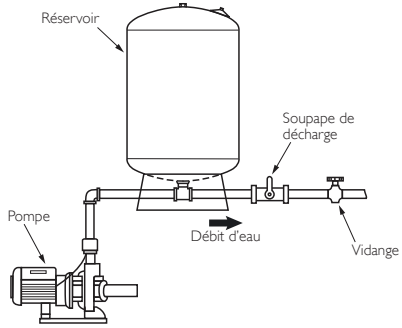


Schéma 1.4-2 avec pompe à jet convertible

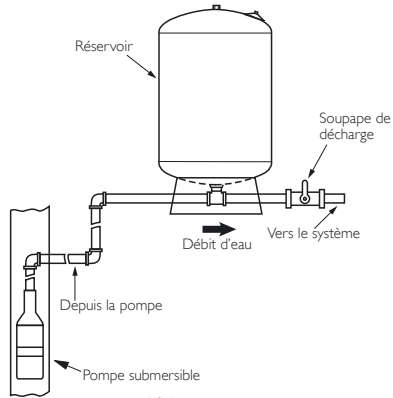


Schéma 1.4-3 Avec pompe submersible

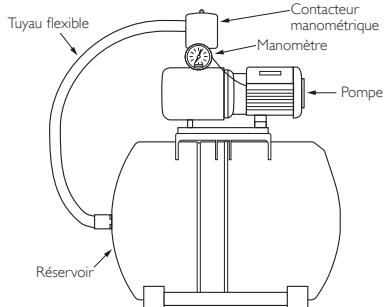


Schéma 1.4-4 Pompe de gavage w/ Réservoir horizontal

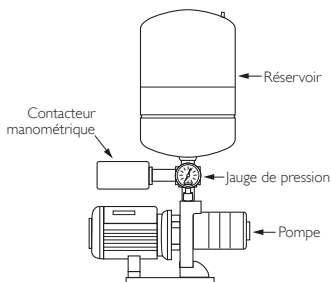


Schéma 1.4-5 Pompe de surpression avec Réservoir en ligne

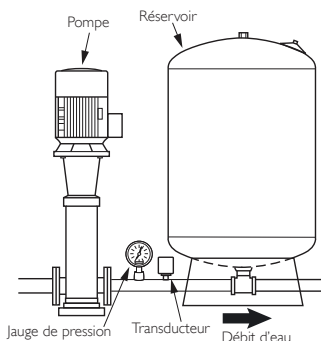


Schéma 1.4-6 Pompe de surpression avec Réservoir

1.5 Installation de multiples réservoirs

Tous les réservoirs doivent avoir le même prégonflage pour que le système fonctionne correctement. Les réservoirs doivent être installés sur un tuyau central afin que tous reçoivent une pression égale et équilibrée. Ajustez le prégonflage de chaque réservoir tel que détaillé à la section 1.3. Le contacteur manométrique doit se situer sur le tuyau central (voir schéma 1.5) pour que le réservoir fonctionne correctement.

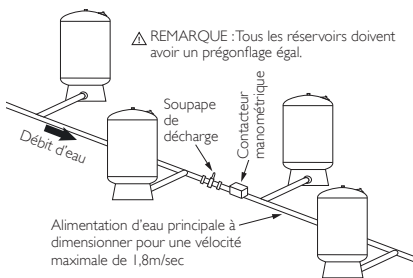


Schéma 1.5 Installation à réservoirs multiples

1.6 Principes de fonctionnement de la commande d'exécution de la pompe

Sans un réservoir de pression, une pompe effectuera un cycle à chaque demande d'eau. Cette démarche fréquente, et potentiellement courte abrègera la durée de vie de la pompe. Les réservoirs sous pression ont été conçus pour accumuler de l'eau pendant le fonctionnement de la pompe et pour la restituer sous pression dans le système lorsque la pompe est arrêtée (schéma 1.6). Un réservoir bien dimensionné aura une réserve utile au moins égale à un litre d'eau pour chaque litre d'eau par minute du débit de la pompe. Ceci permet à la pompe d'avoir des cycles suffisamment longs, ce qui en maximisera la durée de vie.

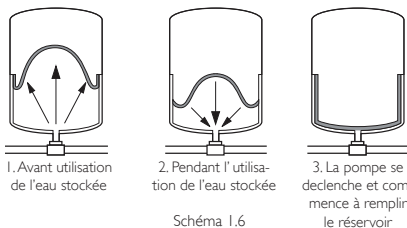


Schéma 1.6

1.7 Remplacement des cuves en acier galvanisé par des réservoirs GWS

GWS conseille de remplacer les cuves en acier galvanisé par des réservoirs de marque GWS. Il est vivement recommandé d'installer une soupape de décharge au niveau du raccord du réservoir GWS. Veillez par ailleurs à raccorder le port d'air d'une pompe jet, puisque l'ajout d'air dans le réservoir n'est plus requis.

2. Installation du vase d'expansion thermique

Les vases d'expansion thermique ont été conçus dans le but de faire face à l'expansion naturelle de l'eau à mesure qu'elle est chauffée. Les vases d'expansion thermique peuvent être utilisés dans différentes applications dont les systèmes de chauffage hydroniques en circuit fermé, les systèmes de chauffage solaire direct et indirect, ainsi que les systèmes de chauffage d'eau potable en circuit ouvert. GWS a mis au point trois séries différentes de réservoirs à utiliser pour chaque application : HeatWave™ pour les systèmes de chauffage hydronique en circuit fermé, SolarWave™ pour les systèmes de chauffage solaire en circuit fermé indirect, et ThermoWave™ pour les systèmes de chauffage solaire direct et de chauffage d'eau potable en circuit ouvert. Pour des applications d'expansion thermique au volume élevé, les réservoirs de séries Challenger™ et SuperFlow™ peuvent être utilisés.

⚠ **MISE EN GARDE:** Vérifiez l'étiquette de données du réservoir pour la pression de fonctionnement et la température maximale avant toute installation.

⚠ **MISE EN GARDE:** Des additifs (tels que le glycol) peuvent affecter l'expansion thermique et le fonctionnement du vase d'expansion. Pour en savoir plus, rapprochez-vous de votre revendeur GWS ou du bureau de ventes GWS le plus proche.

⚠ **AVERTISSEMENT:** Il est vivement recommandé de veiller à ce que tout système de chauffage soit protégé par une soupape de décharge réglée au niveau ou en deçà de la pression maximale autorisée du réservoir. La non-installation d'une soupape de décharge peut provoquer l'explosion du réservoir en cas de dysfonctionnement ou de surpression d'un système, ce qui peut occasionner des dégâts matériels et des dommages corporels graves pouvant entraîner la mort.

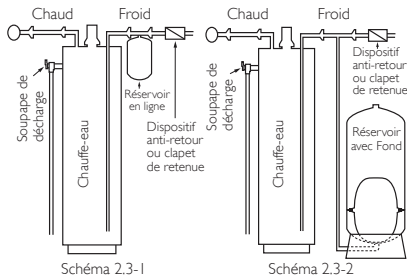
2.1 Prégonflage

À l'aide d'un manomètre, vérifiez la pression de prégonflage du réservoir avant l'installation. Pour la pression de prégonflage d'usine, reportez-vous à l'étiquette de données du réservoir. Dans les circuits de chauffage en boucle fermée, les réservoirs HeatWave™ devraient être prégonflés à la pression de remplissage du système. Dans les systèmes d'emmagasinement de la chaleur en boucle ouverte, les réservoirs ThermoWave™ devraient être prégonflés à la pression du réseau. Dans les systèmes solaires en boucle fermée, le prégonflage des réservoirs SolarWave™ devrait être réglé à la pression de fonctionnement du système et / ou à la pression de remplissage minimum. Relâchez ou ajoutez l'air en conséquence à travers la valve d'air du réservoir. Veillez à ce que le réservoir soit complètement vidé de son eau et que le système ne subisse aucune pression affectant la lecture de la pression de prégonflage au moment d'ajuster le prégonflage du réservoir.

2.2 Emplacement du vase d'expansion thermique

Tout comme les tuyaux et les raccords, les réservoirs peuvent connaître des fuites même lorsqu'ils ont été bien installés ; assurez-vous donc d'installer le réservoir à un emplacement où une éventuelle fuite ne l'amènera pas à occasionner des dégâts causés par l'eau. Le vase d'expansion thermique doit être installé sur le côté froid de tout système de chauffage. Le réservoir doit être installé à l'intérieur et protégé contre le gel.

2.3 Système de connexion



Les vases d'expansion sans support ont été conçus pour être soutenus par la tuyauterie du système et doivent être raccordés à la tuyauterie du système à l'aide d'une connexion en « T » (Voir schéma 2.3-1). Des supports de montage mural optionnels sont également disponibles (renseignez-vous auprès du revendeur GWS de votre localité pour de plus amples informations). Les réservoirs verticaux avec jupe de support ont été conçus pour s'auto-soutenir et doivent être raccordés au système avec une tuyauterie additionnelle (Voir schéma 2.3-2).

2.4 Connexions du système de chauffage solaire

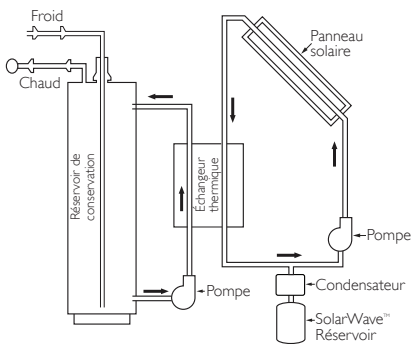


Schéma 2.4

Les réservoirs de la série SolarWave™ sont destinés à être utilisés dans le circuit du liquide solaire des systèmes de transfert thermique indirect et peuvent être montés sur l'aspiration ou sur le côté du refoulement de la pompe de circulation. Si un condensateur est utilisé pour refroidir un liquide solaire évaporé, il doit se trouver à l'emplacement situé entre la boucle de liquide solaire et le réservoir d'expansion. Une soupape de décharge doit être utilisée et des paramètres de fonctionnement maximum ne doivent pas être excédés. Dans le cas où la température du système solaire dépasserait le point d'évaporation du liquide solaire, il faudra prévoir une chambre de condensation ou un serpentin entre le panneau solaire et le vase d'expansion (Voir schéma 2.4).

2.5 Principes de fonctionnement de l'expansion thermique

L'eau se dilate à mesure qu'elle chauffe. Un vase d'expansion thermique sert à recueillir cette dilatation de l'eau, qui dans le cas contraire pourrait aboutir à une pression accrues du système et entraîner des dommages au niveau de la tuyauterie et des raccords, ainsi que les autres composantes du système. Un vase d'expansion thermique utilise une membrane à diaphragme scellée à l'intérieur du récipient pour ériger une barrière entre l'eau et les chambres à air. La chambre à air joue le rôle d'un coussin qui se comprime au fur et à mesure que l'eau se dilate. Le vase d'expansion thermique absorbe le volume d'eau dilaté et veille à ce qu'une pression de système constante soit maintenue. Le fait d'utiliser un vase d'expansion thermique permet également de conserver de l'eau et de l'énergie. Pour y parvenir, il faut écarter la nécessité de remplir et de chauffer à nouveau l'eau perdue à cause de la ventilation issue de la soupape de décharge pendant les cycles de chauffage.

3. Mise au rebut

Contactez les autorités locales pour de plus amples informations relatives à l'élimination et le recyclage.



PressureWave™ / Max™ / UltraMax™ / M-Inox™ / E-Wave™ / Challenger™ /
C2-Lite CAD™ / FlowThru™ / All-Weather™ / HeatWave™ / SolarWave™ /
ThermoWave™

VORSICHTS- UND WARNHINWEISE

- ⚠ **VORSICHT:** Um Verletzungen zu vermeiden, muss sichergestellt werden, dass der Wasserdruck aus dem System abgelassen ist, bevor Arbeiten ausgeführt werden. Achten Sie darauf, dass alle Pumpen vom Netz getrennt und / oder elektrisch isoliert sind.
- ⚠ **WARNUNG:** Es wird empfohlen, das System durch ein passendes Druckablassventil in Höhe oder unterhalb des maximalen Behälterdrucks zu sichern. Wird kein Ablassventil / Druckbegrenzungsventil installiert, kann es bei einer Fehlfunktion des Systems oder bei einem Überdruck zu einer Behälterexplosion und damit zu Beschädigungen und schweren Verletzungen oder Todesfällen kommen.
- ⚠ **WARNUNG:** Verwenden Sie den Membrandruckbehälter nicht, wenn er ein Leck hat oder Spuren von Korrosion oder Beschädigungen aufweist.

Installiert am _____ von _____

BITTE LESEN SIE ALLE ANWEISUNGEN VOR DER INSTALLATION IHRES NEUEN GLOBAL WATER SOLUTIONS (GWS) BEHÄLTERS GENUAU DURCH.

Diese Anweisungen wurden zusammengestellt, um Sie mit der korrekten Installationsmethode und dem Betrieb Ihres GWS-Druckbehälters vertraut zu machen. Wir empfehlen Ihnen dringend, sich dieses Dokument genau durchzulesen und die darin enthaltenen Anweisungen einzuhalten. Sollten bei der Installation Schwierigkeiten auftreten oder sollten Sie weitere Anweisungen benötigen, setzen Sie sich mit dem Händler, bei dem Sie das System gekauft haben oder mit dem nächsten GWS-Verkaufsbüro in Verbindung.

- Die Behälter der Serien PressureWave™, Max™, UltraMax™, M-Inox™, E-Wave™, All-Weather™, Challenger™, C2-Lite CAD™ und Flow-Thru™ sind für die Verwendung in Brunnen- oder Trinkwasserpumpensystemen konzipiert. Details zur Installation finden Sie in Abschnitt 1.
- Die Behälter der Serien HeatWave™ und SolarWave™ sind für die Verwendung in geschlossenen Wärmeübertragungs- oder Solarheizsystemen ohne Trinkwasser konzipiert. Details zur Installation finden Sie in Abschnitt 2.
- Die Behälter der Serie ThermoWave™ sind für die Verwendung in Trinkwasserheizsystemen mit offenem Kreislauf konzipiert. Die Serien PressureWave™, E-Wave™ und Challenger™ können auch in Trinkwasserheizsystemen mit offenem Kreislauf verwendet werden. Details zur Installation finden Sie in Abschnitt 2.
- Informationen zum maximalen Arbeitsdruck und zur Höchsttemperatur finden Sie auf dem Hinweisschild am Behälter.
- Achten Sie darauf, den Behälter, das Leitungssystem und sämtliche Systemkomponenten vor Frost zu schützen.
- Der Hersteller übernimmt keine Haftung für Wasserschäden in Verbindung mit diesem Membrandruckbehälter.

DIE INSTALLATION MUSS IN ÜBEREINSTIMMUNG MIT LOKALEN UND STAATLICHEN INSTALLATIONS-VORSCHRIFTEN ERFOLGEN.

1. Installation von Brunnenwasser- und Pumpenmembrandruckbehältern

1.1 Korrekte Position des GWS-Behälters

Um sicherzustellen, dass Ihr Behälter seine maximale Lebensdauer erreicht, sollte er immer in einem überdachten, trockenen Bereich installiert werden. Achten Sie darauf, dass keine Reibung mit harten Oberflächen im Umfeld des Behälters, zum Beispiel Wänden usw. entsteht.

Der Behälter ist an einem geeigneten Ort zu installieren, damit Wasserschäden auf Grund von Undichtigkeiten vermieden werden. Der Behälter sollte sich immer in einer niedrigeren Position als die Pumpe befinden. Wird der Behälter niedriger als erforderlich installiert, sollte ein Rückschlagventil eingesetzt werden. Wird der Behälter in größerer Entfernung zur Pumpe installiert, muss in seiner Nähe ein Druckschalter eingebaut werden. Der Behälter sollte so nah wie möglich am Druckschalter, Messumformer oder Durchflusssensor installiert werden. Dadurch werden Beeinträchtigungen wie erhöhter Reibungsverlust und Höhendifferenzen zwischen Behälter und / oder Wasserhauptleitung und Druckschalter, Messumformer oder Durchflusssensor vermieden.

1.2 Installation

1. Platzieren Sie den GWS-Behälter an seiner endgültigen Position.
2. Nivellieren Sie ihn bei Bedarf. Alle vertikalen und horizontalen Druckbehälter müssen auf festem Untergrund stehen. Wird es in der Umgebung des Behälters vorausichtlich zu Vibrationen kommen, sollte der Behälter auf einer dämpfenden Halterung montiert werden. Behälter mit Stahlfuß müssen mit den mitgelieferten Montagewinkeln befestigt werden. Behälter mit Kunststofffuß durch die Löcher in dem Fuß. Bei einem Fuß ohne Löcher müssen vier Löcher, in regelmäßigen Abständen, entlang des Rands des Fußes gebohrt werden. Anschließend wird der Behälter entsprechend montiert. Eingebundene Behälter müssen über ein T-Stück direkt mit der Pumpe oder der Zuleitung verbunden werden.
3. Verbinden Sie den Behälter mit der Versorgungsleitung der Pumpe über ein möglichst kurzes Rohr; um unnötige Reibungsverluste zu vermeiden.
4. Alle Leitungen müssen gemäß den vor Ort geltenden Bestimmungen und Normen installiert werden.
5. Informationen über die Gewindeart finden Sie auf dem Hinweisschild am Behälter.
6. Auf Pumpensystemen montierte Behälter müssen zum Transport festgurtet werden.

1.3 Anpassen des Vordrucks

Für eine korrekte Funktion des Behälters muss der Vordruck richtig eingestellt sein.

1. Bei Behältern, die mit einer Pumpe mit einem Druckschalter installiert werden und einen Differentialdruck von bis zu 2 bar (30 psi) haben, muss der Vordruck 0,2 bar (2 psi) unter dem Einschaltdruck eingestellt werden.
2. Für Behälter, die mit einer Pumpe installiert werden, die über einen Druckschalter mit einem Druckdifferential über 2 bar (30 psi), elektronische Regelung oder variable Geschwindigkeitsregelung gesteuert wird, muss der Vordruck auf 65 % des Ausschalt- oder maximalen Systemdrucks

eingestellt werden.

- Bei Behältern, die direkt mit der Versorgungsleitung verbunden sind, muss der Behältervordruck entsprechend dem Druck der Versorgungsleitung eingestellt werden. Bei einem Versorgungsleitungsdruck von über 6 bar (88 psi) muss ein geeigneter Druckregler installiert werden.

Für einen korrekten Betrieb muss der Vordruck im Druckbehälter wie folgt angepasst werden:

- Schalten Sie die Pumpe ab, trennen Sie den Behälter vom System und lassen Sie das gesamte Wasser aus dem Behälter ab, um zu vermeiden, dass der Wasserdruck die Vordruckanzeigen beeinflusst.
- Prüfen Sie, mit Hilfe eines geeigneten Druckmessgerätes, den Vordruck des Behälters.
- Lassen Sie nach Bedarf Luft ab oder fügen Sie Luft hinzu, um den erforderlichen Vordruck anzupassen.
- Montieren Sie die Luftventilschutzkappe und versiegeln Sie diese, falls mitgeliefert, mit der Luftventilplakette. Dadurch können Sie bei zukünftigen Wartungsaufträgen sehen, ob das Ventil manipuliert wurde.
- Nach der korrekten Einstellung des Vordrucks, ist bei diesem GWS-Behälter keine regelmäßige Prüfung des Vordrucks mehr durchzuführen.

Prüfen Sie den Vordruck nicht nach der Installation.

⚠ VORSICHT: Erhöhen Sie den Behälterdruck nie über den Maximaldruck und stellen Sie den Vordruck nur bei Umgebungstemperatur ein!

Einstellen eines Behältervordrucks von über 4 bar (58 psi):

- Vordruck des Behälters auf 4 bar (58 psi) einstellen.
- Bauen Sie den Behälter in das System ein.
- Füllen Sie das System mit Wasser, um bei einem Vordruck von 4 bar (58 psi) einen Druckausgleich zu erreichen.
- Erhöhen Sie den Vordruck maximal in 3 bar (44 psi) Schritten und stellen Sie danach den Systemdruck durch Einfüllen von Wasser in das System auf den neuen Vordruck ein.
- Wiederholen Sie die Schritte 3 und 4 solange, bis der erforderliche Vordruck erreicht wurde.

Leeren eines Behälters mit einem Vordruck von über 4 bar (58 psi):

- Stellen Sie sicher, dass sich etwas Wasser im Behälter befindet.
- Isolieren Sie den Behälter durch Schließen des Absperrventils vom System.
- Es darf kein Wasser mehr in den Behälter laufen (Pumpe und / oder Wasserzufuhr ausschalten / absperren).
- Lassen Sie solange Luft aus dem Behälter ab, bis der Behälterluftdruck 3 bar (44 psi) beträgt.
- Öffnen Sie zuerst ein Ablassventil und dann das Absperrventil, um das Wasser aus dem Behälter abzulassen.

⚠ VORSICHT: Der Systemdruck darf niemals unter 4 bar (58 psi) unter dem Vordruck absinken. Falls der Systemdruck abgesenkt werden muss, ist der Behälter gemäß den obigen Anweisungen zu trennen bzw. zu entleeren.

1.4 Typische Installationen

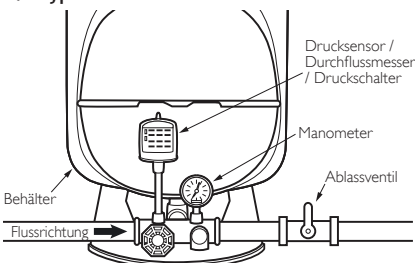


Abb. 1.4-1 Behälterinstallation mit Zubehör

- Dies ist ein Membrandruckbehälter zur Verwendung in sämtlichen Brunnenwasser- oder Pumpensystemen. Das System muss durch ein passendes Druckbegrenzungsventil / Ablassventil geschützt werden.
- Die Behälter der Serie Flow-Thru™ dürfen nur mit Pumpensystemen verwendet werden, die über eine variable Geschwindigkeitsregelung geregelt werden.

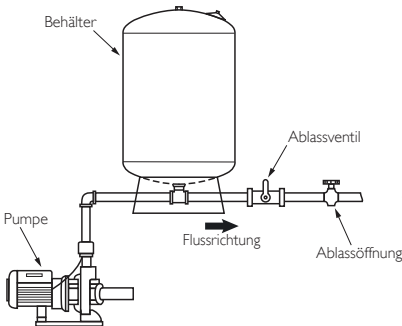


Abb. 1.4-2 Mit wendelbarer Vielzweck-Jetpumpe

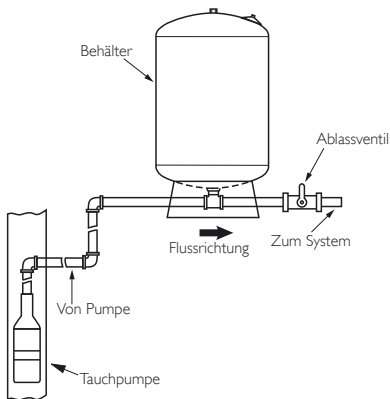


Abb. 1.4-3 Mit Tauchpumpe

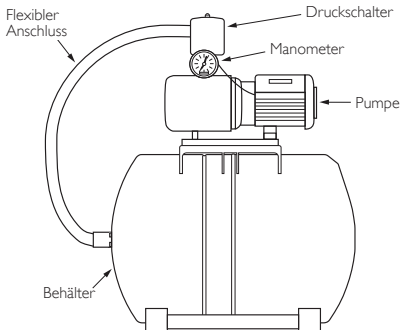


Abb. 1.4-4 Kompressorpumpe mit horizontalem Behälter

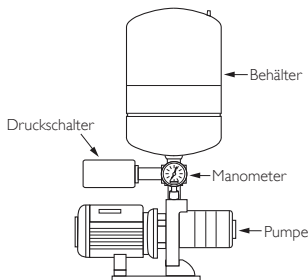


Abb. 1.4-5 Kompressorpumpe mit eingebundenem Behälter

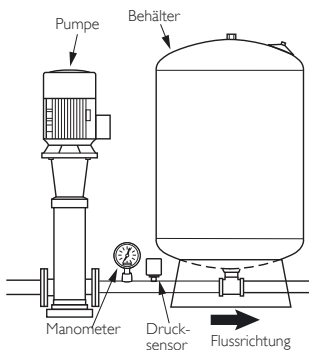


Abb. 1.4-5 Kompressorpumpe mit Behälter

1.5 Installation mehrerer Behälter

Damit das System korrekt funktioniert, müssen alle Behälter den gleichen Vordruck haben. Die Behälter müssen am Hauptrohr installiert werden, um sicherzustellen, dass alle Behälter mit dem gleichem Wasserdruck arbeiten. Stellen Sie den Vordruck jedes Behälters wie in Abschnitt 1.3 beschrieben ein. Der Druckschalter muss zentral platziert werden (siehe Abb. 1.5), um sicherzustellen, dass die Behälter korrekt funktionieren.

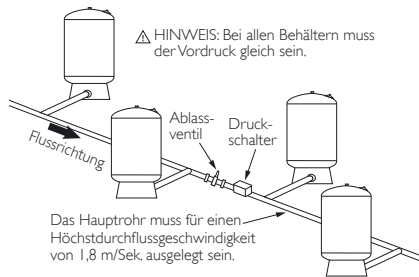


Abb. 1.5 Installation mehrerer Behälter

1.6 Funktionsprinzip der Pumpenunterstützung

Ohne Druckbehälter würde sich die Pumpe eines Wassersystems jedes Mal einschalten, wenn Wasser benötigt wird. Dieser häufige und kurzfristige Pumpenbetrieb würde die Lebensdauer der Pumpe verkürzen. Druckbehälter sind so konzipiert, dass sie Wasser speichern, wenn die Pumpe läuft und dann Wasser unter Druck an das System zurückgeben, wenn die Pumpe abgeschaltet ist (Abb. 1.6). Ein Behälter mit angemessener Größe speichert mindestens einen Liter Wasser für jeden Liter Pumpenkapazität pro Minute (LPM). Auf diese Weise wird die Pumpe seltener gestartet und läuft länger, wodurch sich ihre Lebensdauer verlängert.

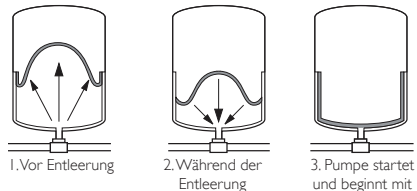


Abb. 1.6

1.7 Austausch von Behältern ohne Membran gegen GWS-Behälter

GWS empfiehlt, defekte membranlose Behälter gegen GWS-Behälter auszutauschen. Es wird empfohlen, am Anschluss des GWS-Behälters ein Druckablassventil zu installieren. Außerdem müssen Sie sicherstellen, dass der Lufteinlass an der Jetpumpe verschlossen wird, da der Behälter keine Luft mehr benötigt.

2. Installation eines Wärmeausdehnungsbehälters

Wärmeausdehnungsbehälter sind so konzipiert, dass sie die natürliche Ausdehnung von Wasser beim Erhitzen auffangen können. Wärmeausdehnungsbehälter können in unterschiedlichen Anwendungen verwendet werden, zum Beispiel in Wärmeleitungssystemen mit geschlossenem Kreislauf, direkten und indirekten Solar-Heizsystemen und Trinkwasserheizsystemen mit offenem Kreislauf. GWS hat drei Serien von Behältern für die Verwendung in den verschiedenen Anwendungen entwickelt: HeatWave™ für Wärmeleitungssysteme mit geschlossenem Kreislauf, SolarWave™ für indirekte Solarheizsysteme mit geschlossenem Kreislauf und ThermoWave™ für direkte Solarheizsysteme und Trinkwasserheizsysteme mit offenem Kreislauf. Für große Wärmeausdehnungsvolumen können die Serien Challenger™ und SuperFlow™ eingesetzt werden.

⚠ **VORSICHT:** Informieren Sie sich vor der Installation über den maximalen Betriebsdruck und die Maximaltemperatur anhand des Behälteretiketts.

⚠ **VORSICHT:** Additive (wie Glykol) können Auswirkungen auf die Wärmeausdehnung und den Betrieb des Ausdehnungsbehälters haben. Weitere Details erhalten Sie bei Ihrem GWS-Händler oder dem nächsten GWS-Verkaufsbüro.

⚠ **WARNUNG:** Es wird empfohlen, das Heizsystem durch ein passendes Druckablassventil in Höhe oder unterhalb der maximalen Behälterdruckbelastbarkeit zu sichern. Wird kein Druckbegrenzungsventil / Sicherheitsventil installiert, kann es bei einer Fehlfunktion des Systems oder bei einem Überdruck zu einer Behälterexplosion und damit zu Beschädigungen und schweren Verletzungen oder Todesfällen kommen.

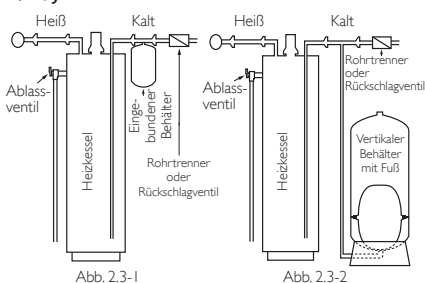
2.1 Vordruck

Prüfen Sie mit Hilfe eines geeigneten Druckmessgeräts den Vordruck des Behälters vor dem Einbau. Informationen zum werksseitig eingestellten Vordruck finden Sie auf dem Behälteretikett. Der Vordruck für HeatWave™ Behälter in geschlossenen Heizkreisläufen muss auf den Einfülldruck des Systems eingestellt werden. Der Vordruck für ThermoWave™ Behälter in offenen Wärmespeichersystemen muss auf den Hauptdruck des Systems eingestellt werden. Für SolarWave™ Behälter in geschlossenen Solarheizsystemen muss der Vordruck auf den Mindestbetriebsdruck des Systems und / oder den Einfülldruck eingestellt werden. Lassen Sie über das Luftventil des Behälters entsprechend Luft ab oder fügen Sie Luft hinzu. Beim Einstellen des Behältervordrucks muss sämtliches Wasser aus dem Behälter abgelassen worden sein, und der Systemdruck darf die Vordruckanzeige nicht verfälschen.

2.2 Position des Wärmeausdehnungsbehälters

Da Behälter, Leitungen und Verbindungen auch bei korrekter Installation lecken können, muss der Behälter so installiert werden, dass Lecks keine Wasserschäden verursachen können. Der Wärmeausdehnungsbehälter muss auf der kalten Seite (Einlassseite) eines Heizsystems installiert werden. Der Behälter muss im Innenbereich und vor Frost geschützt installiert werden.

2.3 Systemanschluss



Wärmeausdehnungsbehälter für die eingebaute Installation sind so konzipiert, dass sie von den Systemleitungen getragen werden und müssen mit T-Stücken mit den Systemleitungen verbunden werden (siehe Abb. 2.3-1). Optional sind auch Halterungen für die Wandmontage erhältlich, um die Tragkraft zu steigern (weitere Informationen erhalten Sie bei Ihrem GWS-Händler vor Ort). Vertikale Behälter mit Fuß sind selbsttragend und müssen über zusätzliche Leitungen mit dem System verbunden werden (siehe Abb. 2.3-2).

2.4 Installation in Solarheizsystemen

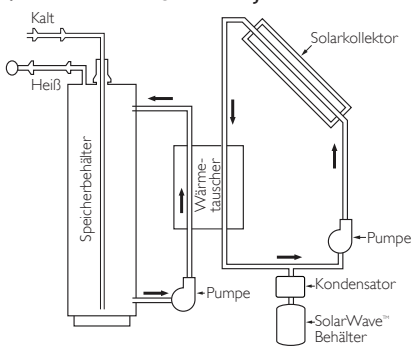


Abb. 2.4

SolarWave™-Behälter sind für die Verwendung im Flüssigkeitskreislauf von indirekten Wärmeleitsystemen konzipiert und können auf der Saug- oder Druckseite der Umlaufpumpe installiert werden. Wird ein Kondensator zum Abkühlen gasförmiger Solarflüssigkeiten verwendet, muss dieser zwischen dem Flüssigkeitskreislauf des Solarsystems und dem Ausdehnungsbehälter platziert werden. Es muss ein Ablassventil / Sicherheitsventil verwendet werden und die maximalen Betriebsparameter dürfen nicht überschritten werden. Wenn die Möglichkeit besteht, dass die Temperatur des Solarsystems über den Verdampfungspunkt der Solarflüssigkeit steigt, ist zwischen dem Solarkollektor und dem Ausdehnungsbehälter eine Kondensationskammer oder -spule erforderlich (siehe Abb. 2.4).

2.5 Funktionsprinzip der Wärmeausdehnung

Wasser dehnt sich wenn es aufgeheizt wird aus. Ein Wärmeausdehnungsbehälter wird verwendet, um diese natürliche Ausdehnung des Wassers aufzufangen, die ansonsten zu einem erhöhten Systemdruck führen und Schäden an Leitungen, Anschlüssen und anderen Systemkomponenten verursachen könnte. Bei einem Wärmeausdehnungsbehälter wird eine Membran verwendet, die im Inneren des Behälters eine Trennung zwischen Wasser und Luftkammer bildet. Die Luftkammer dient als Polster, das zusammengedrückt wird, wenn sich das aufgeheizte Wasser ausdehnt. Der Wärmeausdehnungsbehälter absorbiert das ausgedehnte Wasservolumen und stellt einen konstanten Systemdruck sicher. Außerdem sorgt die Verwendung eines Wärmeausdehnungsbehälters für Einsparungen von Wasser und Energie. Dies wird erreicht, weil kein Wasser mehr nachgefüllt und aufgeheizt werden muss, da es während der Heizzyklen nicht mehr über das Ablassventil abgelassen wird.

3. Entsorgung

Wenden Sie sich für eine ordnungsgemäße Entsorgung und Recycling an die Behörden vor Ort.



PressureWave™ / Max™ / UltraMax™ / M-Inox™ / E-Wave™ / Challenger™ / C2-Lite CAD™ / FlowThru™ / All-Weather™ / HeatWave™ / SolarWave™ / ThermoWave™ Series

AVVERTENZE PER LA SICUREZZA

⚠ **AVVERTENZA:** Per l'incolumità del personale accertarsi sempre che il sistema su cui si deve operare non sia in pressione. Le elettropompe devono essere disconnesse dalla rete elettrica o isolate.

⚠ **ATTENZIONE:** Si raccomanda l'installazione nell'impianto di una valvola di sfido tarata alla pressione massima del vaso d'espansione o ancor meglio leggermente sotto questa soglia. In caso di malfunzionamento dell'impianto o di sovrappressione, la mancata installazione della valvola di sfido può portare all'esplosione del vaso d'espansione, con potenziali danneggiamenti a cose e persone.

⚠ **ATTENZIONE:** Nel caso in cui il vaso d'espansione presenti perdite o segni di corrosione questo non deve essere utilizzato.

Installato il _____ da _____

IMPORTANTE LEGGERE INTERAMENTE QUESTO MANUALE PRIMA DI INSTALLARE IL SUO NUOVO VASO D'ESPANSIONE GLOBAL WATER SOLUTIONS (GWS)

Le presenti istruzioni sono state scritte per indicare il metodo più corretto per installare ed utilizzare i vasi d'espansione GWS. Consigliamo vivamente di studiare a fondo il presente manuale e di seguirne le raccomandazioni. Nel caso sorgano difficoltà nell'installazione o necessitate di maggiori chiarimenti contattate il distributore da cui avete acquistato il vaso oppure l'ufficio GWS più vicino a voi.

- Le serie PressureWave™, Max™, UltraMax™, M-Inox™, E-Wave™, All-Weather™, Challenger™, C2-Lite CAD™ e FlowThru™ possono essere utilizzate per acqua di pozzo o in generale per gruppi di aumento pressione con acqua potabile. Sez. 1 per informazioni sull'installazione.
- Le serie HeatWave™ e SolarWave™ sono progettate per un utilizzo in circuiti chiusi per riscaldamento idronico o solare e in generale per il trattamento di acqua non potabile. Sez. 2 per informazioni sull'installazione.
- La serie ThermoWave™ è progettata per l'utilizzo in circuiti aperti per il riscaldamento di acqua potabile. Sez. 2 per informazioni sull'installazione. Le serie PressureWave™, E-Wave™, e Challenger™ Series possono essere usate in circuiti aperti per il riscaldamento di acqua potabile. Sez. 2 per informazioni sull'installazione.
- Fare riferimento all'etichetta del vaso d'espansione per la massima pressione di utilizzo.
- Assicurarsi che il vaso d'espansione, le tubazioni e l'intero impianto siano al riparo dal rischio di congelamento.
- Il costruttore non può essere considerato responsabile per alcun danno procurato dall'acqua trattata dall'impianto in cui il vaso d'espansione è installato.

L'INSTALLAZIONE DEVE RISPETTARE LE NORME VIGENTI NEL LUOGO E NELLO STATO DI INSTALLAZIONE.

1. Installazione per l'utilizzo in pozzi o gruppi di aumento pressione

1.1 Dove posizionare il vaso GWS

Installare il vaso in luogo asciutto e riparato ne assicura una maggior durata. Il vaso non deve entrare in contatto o strisciare con alcuna superficie quali muri, tubi etc.

Installare il vaso in un luogo appropriato per impedire danni in caso di perdite di acqua. Il vaso dovrebbe sempre essere installato a valle della pompa. Se il vaso è installato in posizione più bassa rispetto l'utenza dell'acqua allora è necessario prevedere una valvola a saracinesca. Se il vaso è installato a grande distanza dalla pompa allora il pressostato va installato vicino al vaso. In effetti il vaso dovrebbe essere installato il più vicino possibile al pressostato, presso-flussostato o sensore di flusso. Questa pratica riduce l'effetto di perdite di carico e differenze geodetiche dell'impianto.

1.2 Connessione del sistema

1. Posizionare il vaso GWS nella posizione desiderata.
2. Livellare la superficie di installazione se necessario. I modelli verticali e orizzontali devono essere installati su superfici livellate e regolari. Se il vaso è sottoposto a vibrazioni allora occorre utilizzare tamponi anti-vibrazioni. I modelli con base metallica devono essere assicurati al terreno utilizzando la staffa a "L" fornita di serie. Per fissare i vasi con base plastica utilizzare gli appositi fori nella base. Per i modelli sprovvisti di fori nella base si consiglia di praticare i fori e di fissare la stessa al pavimento. I modelli IN-LINE devono essere connessi direttamente alla pompa o al tubo principale con una connessione a "T".
3. Connettere il vaso alla tubazione di alimentazione della pompa utilizzando un tubo corto per non generare inutili perdite di carico.
4. Le tubazioni utilizzate per realizzare l'impianto devono rispettare le normative vigenti nel luogo d'installazione.
5. Fare riferimento all'etichetta del prodotto per verificare il tipo di filettatura della connessione, BSP o NPT.
6. I vasi montati su gruppi di aumento pressione devono essere fissati con apposite cinghie ai fini della spedizione.

1.3 Settaggio della pressione di precarica

Il corretto settaggio della precarica è indispensabile per il funzionamento del vaso d'espansione.

1. Per i vasi d'espansione installati su pompe controllate da pressostati il cui differenziale di pressione non sia maggiore di 2 bar (30 psi), la pressione di precarica deve essere tarata a 0,2 bar (2 psi) sotto la pressione di partenza della pompa.
2. Per i vasi d'espansione installati su pompe controllate da pressostati il cui differenziale di pressione sia maggiore di 2 bar (30 psi) o anche in caso di dispositivi elettronici o variatori di frequenza, la pressione di precarica deve essere tarata al 65% della pressione di arresto o massima pressione del sistema.
3. Nel caso il vaso d'espansione sia collegato direttamente alla tubazione principale, la pressione di precarica sarà uguale alla pressione della tubazione principale. Per pressioni superiori ai 6 bar (88 psi) consigliabile installare un riduttore di pressione.

Ecco come intervenire per settare la pressione di precarica:

1. Spegnerla pompa, staccare il vaso d'espansione dal sistema e svuotarlo completamente dall'acqua in modo da non alterare la lettura della pressione.
2. Usare un manometro per verificare la pressione di precarica del vaso.
3. Togliere o aggiungere aria fino a raggiungere il valore di precarica corretto.
4. Sostituire il cappuccio a protezione della valvola e sigillarlo con l'apposita etichetta, se fornita. In caso di futuri interventi di manutenzione, l'etichetta strappata indicherà interventi di persone non autorizzate.
5. Una volta settata correttamente la pressione il vaso d'espansione non necessita di rigonfiaggio periodico.

Non necessita di verifica pressione una volta installato.

⚠ ATTENZIONE: Non immettere nel vaso più aria di quanto sia necessario ed usare solo aria a temperatura ambiente!

Se la pressione di precarica deve essere maggiore di 4 bar (58 psi):

1. Tarare la precarica del vaso a 4 bar (58 psi).
2. Installare il vaso di espansione nell'impianto.
3. Riempire d'acqua il vaso in modo da stabilizzare l'impianto e la pressione di precarica a 4 bar (58 psi).
4. Aumentare la pressione di precarica con incrementi max. di 3 bar (44 psi) e poi portare la pressione dell'impianto alla nuova pressione di precarica immettendovi acqua.
5. Ripetere i punti 3 e 4 fino ad ottenere la precarica richiesta.

Svuotamento di un vaso con precarica maggiore di 4 bar (58 psi):

1. Verificare la presenza di acqua nel vaso.
2. Staccare il vaso d'espansione dall'impianto (chiudendo la valvola di isolamento).
3. Accertarsi che non possa più entrare acqua nel vaso (spegnere la pompa e / o interrompere l'alimentazione dell'acqua).
4. Eliminando aria dal vaso, scendere fino a 3 bar (44 psi) di pressione vaso / aria.
5. Aprire una valvola di sfiato e poi la valvola di isolamento per svuotare completamente il vaso.

⚠ ATTENZIONE: Accertarsi che la pressione dell'impianto non scenda mai a un valore inferiore a 4 bar (58 psi) rispetto a quello della precarica. Per ridurre la pressione dell'impianto, isolare o svuotare il vaso nel modo descritto sopra.

1.4 Installazione tipica

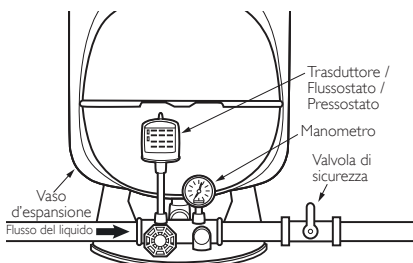


Fig. 1.4-1 Installazione del vaso d'espansione con accessori

- Questo è un vaso d'espansione a diaframma installato su una pompa da pozzo o su un gruppo di aumento pressione. Il sistema deve essere protetto da una valvola di sicurezza per limitare i danni di una sovrappressione.

- La serie FlowThru™ è adatta all'utilizzo esclusivo in presenza di variatori di velocità o di frequenza elettronici a comando delle pompe.

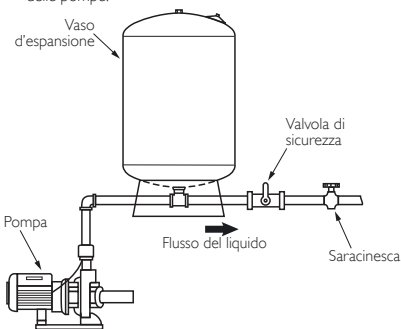


Fig. 1.4-2 Installazione con pompa Jet

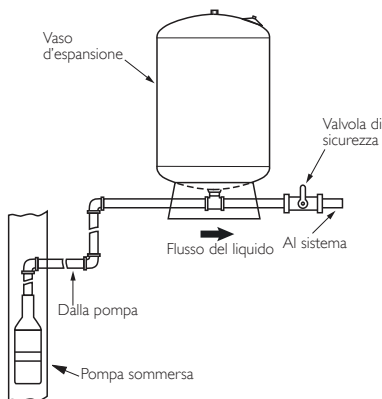


Fig. 1.4-3 Installazione con pompa sommersa

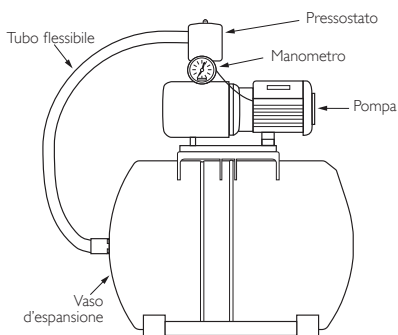


Fig. 1.4-4 Installazione su gruppo aumento pressione con vaso orizzontale

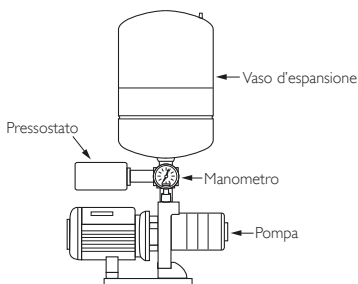


Fig. 1.4-5 Installazione su gruppo aumento pressione con vaso Inline

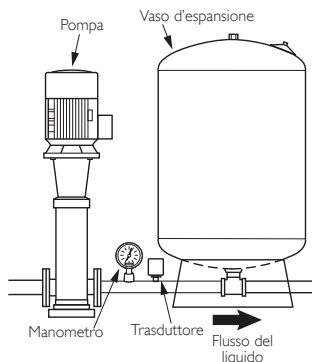
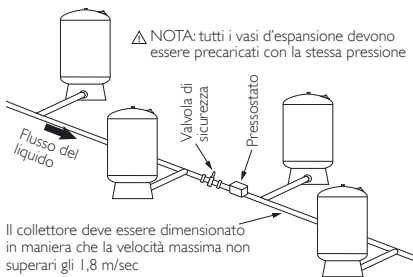


Fig. 1.4-6 Installazione su gruppo aumento pressione con vaso

1.5 Installazione di più vasi d'espansione in un impianto

Tutti i vasi d'espansione devono essere precaricati con la stessa pressione in base all'impianto. Il collettore a cui ogni vaso d'espansione è collegato assicura la distribuzione e il bilanciamento della pressione. Tarare la pressione di precarica come da sezione 1.3. Il pressostato o in generale l'apparecchio di misurazione deve essere installato al centro del collettore (vedi fig. 1.5) per assicurare un corretto funzionamento.



Il collettore deve essere dimensionato in maniera che la velocità massima non superari 1,8 m/sec

Fig. 1.5 Installazione a vaso d'espansione multiplo

1.6 Principi di controllo per accensione della pompa

Senza un vaso d'espansione, la pompa si avvierebbe ogni volta che c'è una richiesta di acqua. Questa continua frequenza di cicli (START / STOP) sarebbe causa di una vita breve per la pompa. I vasi d'espansione sono progettati per immagazzinare acqua mentre la pompa è in funzione per poi rilasciarla nel sistema al bisogno, quando la pompa è spenta (Fig. 1.6). Un vaso d'espansione correttamente dimensionato conterrebbe un litro di acqua per ogni litro al minuto che la pompa può pompare. Questo permette di ridurre i cicli della pompa e di farla lavorare più a lungo massimizzando la vita.

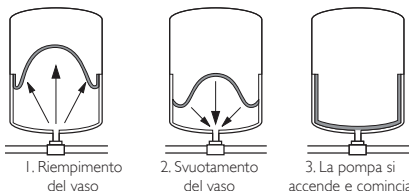


Fig. 1.6

1.7 Sostituzione di un vaso d'espansione con un vaso GWS

GWS raccomanda di sostituire qualsiasi vaso con prodotti GWS. Si raccomanda inoltre di installare una valvola di sicurezza contro la sovrappressione. Nel caso di una pompa tipo Jet ricordarsi diappare il foro per l'adesamento una volta avviata.

2. Installazioni di vasi per espansione termica

I vasi d'espansione per applicazioni termiche sono progettati per assecondare la naturale espansione dell'acqua che si scalda. I vasi d'espansione per espansione termica sono utilizzabili in diverse applicazioni come i circuiti chiusi di riscaldamento, sistemi solari e sistemi di scambio termico. GWS ha sviluppato tre diverse serie utilizzabili nelle diverse applicazioni:

HeatWave™ ideali per i sistemi di riscaldamento a circuito chiuso, SolarWave™ per sistemi indiretti per riscaldamento a pannelli solari a circuito chiuso, e ThermoWave™ per sistemi diretti per riscaldamento a pannelli solari a circuito aperto e per riscaldamento di acqua potabile. Per vasi d'espansione di volume maggiore si raccomandano le serie Challenger™ e SuperFlow™.

△ **ATTENZIONE:** Prima dell'installazione verificare la pressione massima di utilizzo indicata sulla targhetta del prodotto

△ **ATTENZIONE:** Additivi (come glicole) possono modificare il fattore di espansione termica dell'acqua. Rivolgersi al rivenditore GWS o alla filiale GWS più vicini.

△ **ATTENZIONE:** È caldamente raccomandato che ogni impianto termico sia protetto da una valvola di sicurezza per la sovrappressione, settata alla pressione massima del vaso d'espansione o appena sotto. La mancata presenza di una valvola di sicurezza può causare l'esplosione del vaso d'espansione in caso di malfunzionamento o sovrappressione dell'impianto causando seri rischi per persone e cose.

2.1 Pressione di precarica

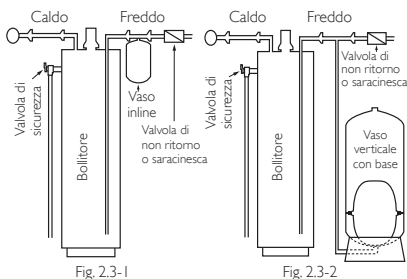
Usare un manometro per verificare la pressione di precarica del vaso prima dell'installazione. Far riferimento all'etichetta del vaso di espansione per avere la conferma della pressione della precarica originale. Per i vasi HeatWave™ per utilizzo in circuiti

di riscaldamento chiusi, la pressione di precarica è uguale alla pressione di riempimento dell'impianto. La pressione della serie ThermoWave™ utilizzabile in circuiti aperti per il riscaldamento di acqua di accumulo deve essere settata sul valore di rete. La precarica della serie SolarWave™ per utilizzo in impianti solari a circuito chiuso deve essere tarata alla pressione minima di utilizzo e / o di riempimento. Per scaricare o immettere aria agire sulla valvola del vaso di espansione. Accertarsi che non vi sia alcun residuo di acqua nel vaso e che l'impianto non sia sotto pressione per non alterare la lettura del manometro durante l'operazione di regolazione della precarica.

2.2 Posizionamento del vaso per espansione termica

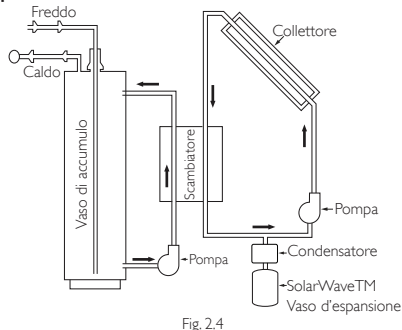
Per evitare danneggiamenti dovuti ad eventuali perdite individuare un locale adatto per ospitare tubi, valvole, vasi d'espansione e tutta la componentistica dell'impianto. Il vaso per espansione termica dovrebbe essere installato nel lato più freddo del bollitore. Comunque sempre consigliabile installare il vaso d'espansione al riparo da agenti atmosferici e dal gelo, ideale un vano o un locale chiuso.

2.3 Connessione al sistema



I vasi d'espansione per espansione termica inline sono progettati per essere supportati dalla tubazione a cui sono fissati, possono ad esempio essere fissati utilizzando un raccordo a "T" (vedi fig. 2.3-1). Come optional sono disponibili staffe di fissaggio a muro (rivolgersi a più vicino rivenditore GWS per informazioni). I vasi d'espansione verticali con base sono invece progettati per una installazione a pavimento e richiedono uno spezzone di tubo per essere collegati all'impianto.

2.4 Connessione a sistema di riscaldamento a pannelli solari



I vasi d'espansione SolarWave™ sono progettati per l'utilizzo in impianti a circuito chiuso a pannelli solari, possono essere installati sia in entrata che in uscita del circolatore. Se un condensatore è utilizzato per raffreddare il liquido evaporato questo deve essere installato tra i pannelli solari e il vaso d'espansione. Una valvola di sicurezza per la sovrappressione deve essere installata in maniera da non superare i limiti di utilizzo dichiarati per il vaso d'espansione. Nel caso in cui la temperatura del sistema possa raggiungere il punto di evaporazione del liquido una camera di condensazione o una bobina di rame deve essere installata tra il collettore e il vaso d'espansione (vedi Fig. 2.4).

2.5 Principi dell'espansione termica

L'acqua se scaldata aumenta di volume. Un vaso d'espansione ha lo scopo di accogliere questa naturale variazione di volume che potrebbe danneggiare il sistema, le tubazioni e altri componenti. Il vaso d'espansione utilizza un diaframma per creare due camere al suo interno, una contiene l'aria compressa e l'altra il liquido di riscaldamento. La camera ad aria compressa agisce da cuscinetto assecondando la variazione di volume dell'acqua calda. Il vaso d'espansione accoglie quindi il maggior volume richiesto dal liquido e nel contempo garantisce pressione costante all'impianto. Il Vaso d'espansione conserva perciò liquido e l'energia.

Questo risultato elimina il bisogno di aggiungere e riscaldare l'acqua che verrebbe espulsa dalla valvola di sicurezza in caso non ci fosse il vaso d'espansione.

3. Smaltimento

Smaltire il vaso d'espansione in accordo con le norme vigenti relative i rifiuti e il riciclaggio.



PressureWave™ / Max™ / UltraMax™ / M-Inox™ / E-Wave™ / Challenger™ / C2-Lite CAD™ / FlowThru™ / All-Weather™ / HeatWave™ / SolarWave™ / ThermoWave™-serien

FÖRSIKTIGHETSÅTGÄRDER OCH VARNINGAR

⚠ **IAKTTAG FÖRSIKTIGHET:** För att undvika personskador, se till att systemet trycklöst innan arbete ska utföras. Se till att pumpar är urkopplade och / eller elektriskt isolerade.

⚠ **WARNING:** Det rekommenderas starkt att systemet skyddas av en lämplig övertrycksventil vid eller under maximalt tanktryck. Underlåtenhet att installera en övertrycksventil kan resultera i att tanken exploderar i händelse av systemfel eller övertryck, vilket kan orsaka skador på egendom, allvarliga personskador eller dödsfall.

⚠ **WARNING:** Använd inte trycktanken om den läcker eller visar tecken på korrosion eller skada.

Installerad _____ av _____

LÄS ALLA INSTRUKTIONER FÖRE INSTALLATIONEN AV ER NYA GLOBAL WATER SOLUTIONS (GWS) TANK

Dessa instruktioner informerar om rätt metod för installation och skötsel av er nya GWS trycktank. Vi uppmanar er att studera det här dokumentet noggrant och att följa alla rekommendationer. I händelse av problem vid installationen eller behov av ytterligare råd bör ni kontakta återförsäljaren där ni köpte systemet eller närmaste GWS-försäljningskontor.

- PressureWave™, Max™, UltraMax™, M-Inox™, E-Wave™, All-Weather™, Challenger™, C2-Lite CAD™ och FlowThru™-tankar är konstruerade för användning i brunnsvatten eller dricksvatten-boostersystem. Se Avsnitt 1 för installationsdetaljer.
- HeatWave™ och SolarWave™-seriens tankar är konstruerade för användning i slutna värmesystem med icke drickbart vatten eller för vatten i solvärmesystem. Se Avsnitt 2 för installationsdetaljer.
- ThermoWave™ seriens tankar är konstruerade för användning i öppna uppvärmningssystem med drickbart vatten. Även PressureWave™, E-Wave™ och Challenger™-serien kan användas i öppna uppvärmningssystem med drickbart vatten. Se Avsnitt 2 för installationsdetaljer.
- Se tankens dataetikett för maximalt arbetstryck och temperatur.
- Se till att skydda tanken, rörledningar och alla systemkomponenter från temperaturer under noll.
- Tillverkaren är inte ansvarig för eventuella vattenskador som kan uppstå vid användning av denna membrantrycktank.

INSTALLATIONEN MÅSTE UTFÖRAS I ENLIGHET MED LOKALA OCH NATIONELLA VVS-BESTÄMMELSER.

1. Brunnsvatten och tankinstallation för boostersystem

1.1 Korrekt placering av GWS-tanken

För att säkerställa maximal livslängd hos tanken bör den installeras på en tätt och torr plats. Tanken får inte skava mot hårda ytor såsom väggar etc.

Installera tanken på en lämplig plats för att förhindra vattenskador som beror på läckage. Tanken ska alltid placeras nedströms från pumpen. Om tanken är placerad lägre än specifikationerna ska en backventil installeras. Är tanken installerad långt ifrån pumpen, installerar ni tryckströmvakten nära tanken. Tanken ska installeras så nära tryckströmbrytare, omvandlare eller flödesmätare som möjligt. Det reducerar de negativa effekterna av ökad friktionsförlust och höjdskillnader mellan tanken och / eller huvudvattenledning och tryckströmvakten, omvandlaren eller flödesavkännaren.

1.2 Systemanslutning

1. Placera GWS-tanken på lämplig plats enl ovan beskrivning.
2. Nivåutjämna om så krävs. Alla vertikala och horisontella tankmodeller ska placeras på ett fast underlag. Om vibrationer kan uppstå i närheten ska tanken monteras på ett stadigt underlag. Tankar med stälbas ska monteras med L-konsoler; medan tankar med plastbas ska monteras genom hålen i basen. För baser utan hål ska hål borras på fyra punkter på lika avstånd längs med kanten på basen och sedan monteras i enlighet därmed. Inline-tankar ska anslutas direkt till pumpen eller till framledningen med en T-koppling.
3. Anslut tanken till pumpens matningslinje med ett kort rör för att eliminera onödig friktionsförlust.
4. All rörledning måste utföras i enlighet med rådande lokala förordningar.
5. Se tankens dataetikett för att bekräfta BSP- eller NPT-gängade anslutningar.
6. Tankar som har monterats på tryckstegringssystem bör fästas med remmar före transport.

1.3 Justering av förtryck

Korrekt förtryck krävs för bästa möjliga prestanda.

1. För tankar installerade med en pump kontrollerad av en tryckströmbrytare med ett differentialtryck inställt på upp till 2 bar (30 psi), ska förtrycket ställas på 0,2 bar (2 psi) under inkopplingstrycket.
2. För tankar installerade med en pump kontrollerad av en tryckströmbrytare med ett differentialtryck på mer än 1,4 bar (20 psi), elektronisk reglering eller varvtalsstyrning, ska förtrycket sättas till 65 % av fränslagstrycket eller max systemtryck.
3. För tankar installerade på max tryck, ska tankens förtryck ställas in lika med det största trycket. För arbetstryck som övergår 6 bar (88 psi) ska en lämplig säkerhetsventil installeras.

För korrekt hantering ska trycktankar förtryckas på följande sätt:

1. Stäng av pumpen, töm ur allt vatten inne i tanken för att undvika att vattentrycket påverkar avläsningen av förtrycket.
2. Använd en lämplig tryckmätare för att kontrollera tankens förladdningstryck.
3. Släpp ut eller tillsätt luft för att justera till önskat förtryck.
4. Sätt tillbaka luftventilens skyddspropp och täta med luftventilens etikett, om den ingår. Det gör att du kan avgöra om man har manipulerat med ventilen vid framtida servicebesök.
5. Efter en korrekt inställning av förtrycket behöver inte regelbundna kontroller av luftladdningen utföras.

Kontrollera inte luften efter installation.

⚠ FÖRSIKTIGT: Överladda aldrig tanken och förladda tanken endast med luft som håller rumstemperatur!

Om tanken ska förladdas till över 4 bar (58 psi):

1. Justera tankens förladdning till 4 bar (58 psi).
2. Installera tanken i systemet.
3. Fyll på systemet med vatten för att jämna ut systemet och förladda trycket till 4 bar (58 psi).
4. Öka förladdningstrycket i steg om max. 3 bar (44 psi) och justera sedan systemtrycket till det nya förladdningstrycket genom att fylla på med vatten i systemet.
5. Upprepa steg 3 och 4 tills önskad förladdning har nåtts.

Tömma en tank med en förladdning över 4 bar (58 psi):

1. Se till att det finns kvar lite vatten i tanken.
2. Isolera tanken från systemet (stäng isoleringsventilen).
3. Se till att inget extra vatten kan tränga in i tanken (stäng av pumpen och / eller vattentillförseln).
4. Släpp ut luft ur tanken tills ett lufttryck på 3 bar (44 psi) kvarstår.
5. Öppna en tömningsventil och därefter isoleringsventilen för att tömma tanken.

⚠ FÖRSIKTIGT: Se till att systemtrycket aldrig sjunker ner till ett lägre värde än 4 bar (58 psi) under förladdningsnivån. Om man behöver minska systemtrycket, ska tanken isoleras och tömmas så som beskrivs ovan.

1.4 Typiska installationer

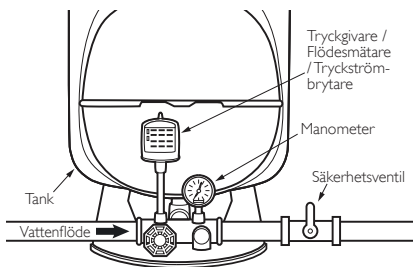


Fig. 1.4-1 Tankinstallation med tillbehör

- Det här är en trycktank av membrantyp för användning med brunnsvatten eller boostersystem. Systemet ska skyddas av en passande säkerhetsventil.
- FlowThru™ tankar ska endast användas i pumpsystem med

konstantryck styrd av variabel hastighet eller variabel frekvens.

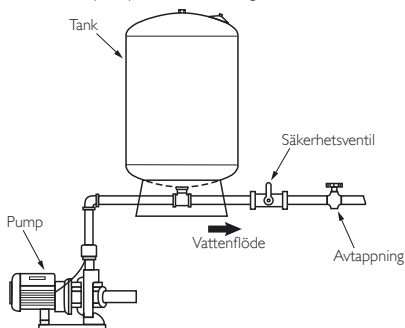


Fig. 1.4-2 Med bytbar jetpump

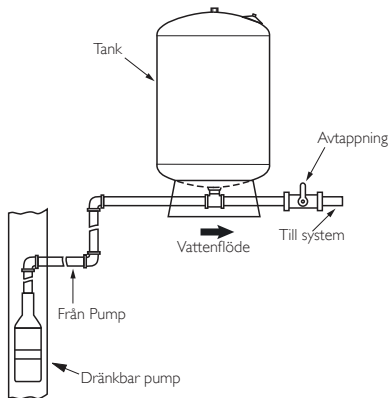


Fig. 1.4-3 Med dränkbar pump

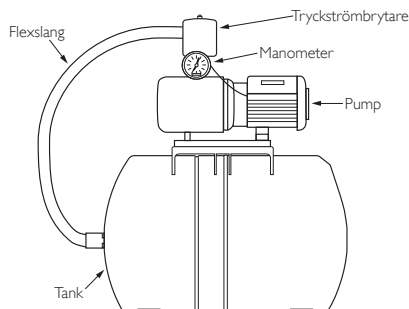


Fig. 1.4-4 Boosterpump med horisontell tank

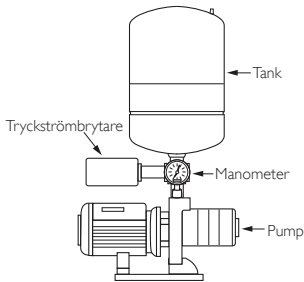


Fig. 1.4-5 Boosterpump med Inline-tank

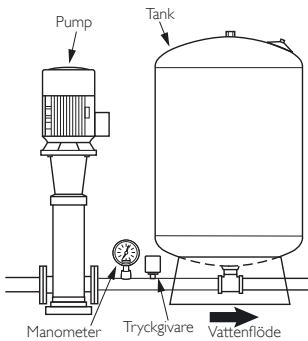


Fig. 1.4-6 Boosterpump med tank

1.5 Multitankinstallation

Alla tankar måste ha samma förtryck för att systemet ska fungera på rätt sätt. Tankar ska installeras på en stamledning för att alla tankar ska ta emot lika och balanserat tryck. Justera varje tanks förtryck som beskrivet i avdelning 1.3. Systemets tryckströmbrytare eller kontroll ska sitta centralt (se Fig 1.5) för att tankarna ska fungera korrekt.

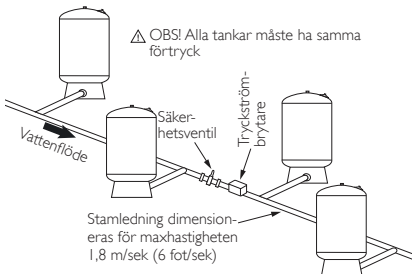


Fig. 1.5 Multitankinstallation

1.6 Driftprinciper för pumpen

Utän en trycktank skulle pumpen i ett vattensystem slås på varje gång det fanns en efterfrågan på vatten. Detta frekventa och potentiellt korta kretslopp förkortar pumpens livslängd. Trycktankar är konstruerade för att lagra vatten när pumpen är igång och sen leverera trycksatt vatten tillbaka till systemet när pumpen är avstängd (Fig. 1.6). En tank av rätt storlek lagrar åtminstone en liter vatten för varje liter per minut (LPM) av pumpens kapacitet. Detta möjliggör färre pumpstartar och längre körtid vilket maximerar pumpens livslängd.

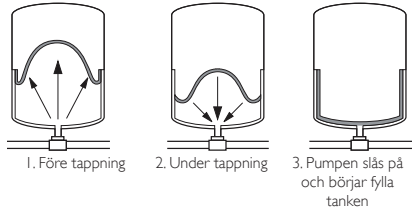


Fig. 1.6

1.7 Byte av obehandlade ståltankar till GWS-tankar

GWS rekommenderar att defekta obehandlade ståltankar ska ersättas med GWS-tankar. Det rekommenderas starkt att en säkerhetsventil installeras på GWS-tankens anslutning. Var även noga med att tappa luft tilluftintaget på jetpumpen, eftersom luft inte längre behöver tillföras till tanken.

2. Installation av expansionskärl

Expansionskärl är konstruerade för att rymma vattnets naturliga expansion vid uppvärmning. Expansionskärl kan ha ett flertal olika användningsområden såsom slutna värmesystem, direkta och indirekta solvärmesystem, och öppna värmesystem med drickbart vatten. GWS har utvecklat tre olika serier med tankar för varje användningsområde: HeatWave™ för slutna värmesystem, SolarWave™ för indirekta, slutna solvärmesystem och ThermoWave™ för direkta solvärmesystem och öppna värmesystem med drickbart vatten. Challenger™ och SuperFlow™-seriens tankar kan användas för värmeexpansion vid stora volymer.

⚠ VARNING: Kontrollera tankens dataetikett för maximalt drifttryck och temperatur före installationen.

⚠ VARNING: Tillsatser (t ex glykol) kan påverka värmeutvidgningen och tankmanövreringen. Kontakta Er GWS-återförsäljare eller närmaste GWS-försäljningskontor för mer information.

⚠ VARNING: Det rekommenderas starkt att värmesystem skyddas av en lämplig säkerhetsventil inställd på eller under uppskattat maximalt tanktryck. Underlåtenhet att installera en säkerhetsventil kan resultera i att tanken exploderar i händelse av systemfel eller övertryck, vilket kan orsaka skador på egendom, allvarliga personskador eller dödsfall.

2.1 Förladdning

Använd en lämplig tryckmätare för att kontrollera tankens förladdningstryck före installationen. Se tankens dataetikett för det fabriksinställda förladdningstrycket. HeatWave™-tankar

i värmekretsar med stängd krets ska förladdas till systemets påfyllningstryck. ThermoWave™-tankar i värmelagringssystem med öppen krets bör förladdas till det vattentrycket. För SolarWave™-tankar i solsystem med stängt krets, ska förladdningen ställas in på minsta driftryck i systemet och / eller för påfyllningstrycket. Släpp sedan ut eller tillför luft genom tankens luftventil. Se till att tanken är helt tömd på vatten och att det inte finns något systemtryck som påverkar förladdningstrycket när du justerar tankens förladdning.

2.2 Placering av expansionskärl

Tankar, rörledningar och anslutningar kan läcka även när de är korrekt installerade, se därför till att installera tanken på en plats där en läcka inte orsakar vattenskador. Expansionskärlet ska installeras på den kalla sidan eller tilltoppsidan av ett värmesystem. Tanken ska installeras inomhus och skyddas från frysning.

2.3 Systemanslutning

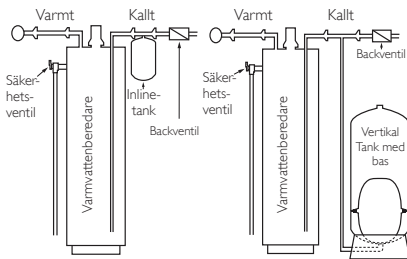


Fig. 2.3-1

Fig. 2.3-2

Expansionskärl av inline typ är konstruerade för att stödjas av rörssystem och ska anslutas till rörsystemet med en T-koppling (See Fig. 2.3-1). Som tillval finns även väggmonteringskonsoler för ökat stöd (kontakta er lokala GWS-återförsäljare för mer information). Vertikala tankar med bas är utformade för att vara självbärande och ska anslutas till systemet med extra rörledningar (se fig. 2.3-2).

2.4 Anslutning av solvärmesystem

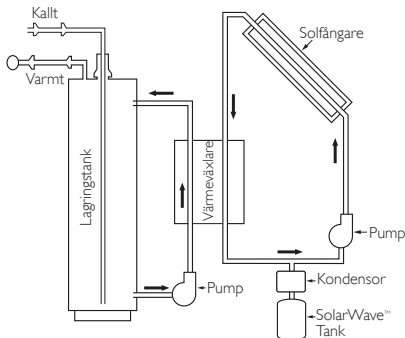


Fig. 2.4

SolarWave™ tankar är avsedda för användning i slingan för vätskan i indirekta värmetransfersystem och kan monteras antingen på

sug- eller trycksidan av cirkulationspumpen.

Används en kondensator för att kyla avdunstad vätska måste den vara i ett läge mellan slingan och expansionskärlet. En säkerhetsventil ska användas och maximala driftparametrar får inte överskridas. Har solvärmesystemets temperatur en potential att stiga över vätskans ångbildningspunkt behövs en kondensorkammare eller en rörspiral mellan solfångaren och expansionstanken (se fig. 2.4).

2.5 Driftprinciper för värmeutvidgning

Vatten utvidgas när det värms upp. Ett expansionskärl används för att rymma denna naturliga vattenutvidgning som annars kan leda till ökat systemtryck, och kan orsaka skador på rörledning, rördelar och andra systemkomponenter. Ett expansionskärl använder ett tillslutet membran inne i kärlet för att skapa en barriär mellan vatten och luftkammare. Luftkammaren fungerar som en kudde som komprimeras när det uppvärmda vattnet expanderar. Expansionskärlet absorberar den utvidgade vattenvolymen, och säkerställer att ett konstant systemtryck bibehålls. Användning av ett expansionskärl sparar även vatten och energi. Detta åstadkoms genom att behovet av att fylla på och återuppvärma förlorat vatten på grund av avluftning från säkerhetsventilen under uppvärmningscykler elimineras.

3. Avyttrande

Kontrollera med lokala myndigheter för korrekt avyttring och återvinning.



PressureWave™ / Max™ / UltraMax™ / M-Inox™ / E-Wave™ / Challenger™ /
C2-Lite CAD™ / FlowThru™ / All-Weather™ / HeatWave™ / SolarWave™ /
ThermoWave™ Series

FORSIGTIGHEDSREGLER OG ADVARSLER

⚠ **FORSIGTIGHED:** For at forhindre personulykker, skal du forvisse dig om at alt vandtryk er udlignet fra tryksystemet, før arbejdet udføres. Vær sikker på at pumperne er frakoblet og / eller elektrisk isoleret.

⚠ **ADVARSEL:** Det anbefales stærkt at systemet beskyttes af en passende overtryksventil ved eller under det maksimale tanktryk. Hvis der ikke installeres en overtryksventil, kan det resultere i tank eksplosion pga. systemfejl eller overtryk, der kan resultere i skader på ejendom, alvorlige personskader eller dødsfald.

⚠ **ADVARSEL:** Hvis tryktanken lækker eller viser tegn på korrosion eller skader må den ikke anvendes.

Installeret hos _____ af _____

LÆS VENLIGST ALLE INSTRUKTIONER FØR DU INSTALLERER DIN NYE GLOBAL WATER SOLUTIONS (GWS) TANK

Disse instruktioner er blevet udarbejdet for at gøre dig bekendt med den korrekte metode for installation og drift af din GWS tryk tank. Vi anbefaler at studere dette dokument omhyggeligt og følge alle anbefalinger. Hvis der opstår installationsvanskeligheder eller hvis du behøver yderligere rådgivning, skal du kontakte den forhandler som du har købt systemet hos eller det nærmeste GWS salgskontor.

- PressureWave™, Max™, UltraMax™, M-Inox™, E-Wave™, Challenger™, All-Weather™, C2-Lite CAD™, og FlowThru™ Serie tanke er designet til brug i brønde eller transportable vand boostersystemer. Der refereres til afsnit 1 for installationsdetaljer.
- HeatWave™ og SolarWave™ serie tanke er designet til brug i ikke-transportable hydroniske eller solopvarmede lukkede systemer. Der refereres til afsnit 2 for installationsdetaljer.
- ThermoWave™ serie tanke er designet til brug i transportable, åbne vandvarmer systemer. PressureWave™, E-Wave™, og Challenger™ serie kan også bruges i åbne vandvarmer applikationer. Der refereres til afsnit 2 for installationsdetaljer.
- Se mærkaten på tanken for maksimal arbejdsdruk og maksimum temperatur.
- Sørg for at beskytte tank, rørsystemer og alle systemkomponenter for frost.
- Fabrikanten er ikke ansvarlig for nogen vandskader i forbindelse med denne membran tryktank.

INSTALLATION SKAL SKE I OVERENSSTEMMELSE MED LOKALE OG NATIONALE VVS-REGLER.

1. Installation af Brøndtank og Booster systemtank

1.1 Passende GWS tank placering

For at sikre at din tank får et langt service liv skal den altid installeres på et tørt, overdækket sted. Tanken må ikke gnide mod omgivende hårde flader, såsom vægge, etc.

Installer tanken på et passende sted for at forhindre vandskader på forårsaget af lækage. Tanken skal altid placeres nedstrøms fra pumpen. Hvis tanken installeres på et lavere niveau end afløbet, skal der installeres en kontrolventil. Hvis tanken bliver installeret perifereret fra pumpen installeres en trykventil tæt på tanken. Tanken skal placeres så tæt som muligt på trykventilen, transducer eller strømningsføler. Dette vil reducere de uønskede effekter af friktionstab og niveauforskelle mellem tanken og / eller vandets hoved- og trykventil, transducer eller føler.

1.2 Systemforbindelse

1. Placer GWS tanken på den endelige ønskede position.
2. Opret efter behov. Alle vertikale og horizontale tanke skal placeres på et solidt underlag. Hvis det er sandsynligt at der opstår vibrationer i nærheden af tanken skal tanken monteres på vibrationsdæmpere. Tanke med base i rustfrit stål skal monteres ved brug af de medfølgende "L" bøjler; mens tanke med plastik base skal monteres gennem hullerne i basen. For baser uden huller, skal der bores huller på fire punkter med lige stor afstand fra kanten af basen, hvorefter den monteres. Inline tanke skal forbindes direkte til pumpen eller til en forsyningslinje ved brug af en "T" forbindelse.
3. Montér tanken til pumpens forsyningslinje med et kort rør for at eliminere unødvendige tryktab.
4. Alle rørforbindelser skal være i overensstemmelse med gældende lokale regler og standarder.
5. Referer til tankens datamærkat for at bekræfte BSP eller NPT gevindforbindelser.
6. Tanke, der er monteret på booster-sæt, skal fastgøres med remme ved forsendelse.

1.3 Justering af forhåndstryk

Korrekt tryk er nødvendigt for passende tankpræstationer.

1. For tanke, der er installeret med en trykventil kontrolleret pumpe med en differential tryk opsætning på op til 2 bar (30 psi), skal fortykket indstilles til 0,2 bar (2 psi) under lukketrykket.
2. For tanke, installeret med en pumpe, der er kontrolleret med en trykventil med et differentielt tryk på mere end 2 bar (30 psi), skal den elektroniske kontrol eller variable hastighedskontrol indstilles til 65 % af lukke- eller det maksimale systemtryk.
3. For tanke, installeret på hovedtrykket, skal fortykket indstilles til at være lig med hovedtrykket. For hovedtryk, der overstiger 6 bar (88 psi), skal der installeres en passende trykregulator.

For korrekt funktion skal tryktanke være under fortryk som følger:

1. Sluk for pumpen, frakobl tanken fra systemet og dræn alt vand fuldstændigt fra indersiden af tanken, for at undgå at vandtrykket påvirker aflæsningen af fortryk.
2. Ved at anvende en passende trykmåler kontrolleres tankens fortryk.
3. Udløs eller tilføj luft efter behov for at justere til det ønskede fortrykstryk.
4. Udskift beskyttelseshætten på luftventilen, og forsegl med luftventilmærkaten, hvis den medfølger. Dette vil sætte dig i stand til at bestemme, om der er blevet ændret ved ventilen i tilfælde af fremtidige servicekald.
5. Efter korrekt indstilling af fortrykket, er det ikke nødvendigt med regelmæssig kontrol af lufttrykket.

Kontroller ikke lufttrykket efter installation.

⚠ VIGTIG: Tanktryk må aldrig overstige maksimalt tryk, og skal altid foretages ved temperatur svarende til systemtemperatur!

Hvis tanken skal sættes under fortryk over 4 bar (58 psi):

1. Skal tankens fortryk indstilles til 4 bar (58 psi).
2. Installer tanken i systemet.
3. Fyld systemet med vand for at udligne systemet og fortrykkes til 4 bar (58 psi).
4. Forøg fortrykket i trin på højst 3 bar (44 psi), og indstil derefter systemets tryk til det nye fortryk ved at fylde vand i systemet.
5. Gentag trin 3 og 4, indtil det ønskede fortryk nås.

Tømning af en tank, der har et fortryk på over 4 bar (58 psi):

1. Kontrollér, at der er vand i tanken.
2. Isolér tanken fra systemet (luk afspærringsventilen).
3. Kontrollér, at der ikke kan komme mere vand ind i tanken (sluk for pumpen og / eller eventuel vandforsyning).
4. Slip luft ud af tanken, indtil der er et tank- / lufttryk tilbage på 3 bar (44 psi).
5. Åbn drænventilen og derefter afspærringsventilen for at tømme tanken.

⚠ FORSIGTIG: Sørg for, at systemtrykket aldrig er lavere end 4 bar (58 psi) under fortrykket. Hvis systemtrykket skal sænkes, skal tanken isoleres og tømmes, som tidligere beskrevet.

1.4 Typisk installation

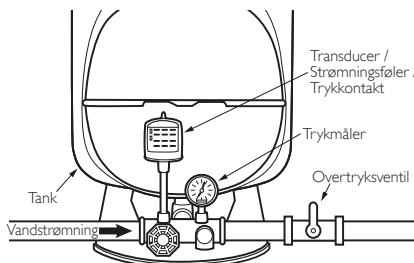


Fig. 1.4-1 Tank installation med tilbehør

- Dette er en membran type tryktank for brug i brønde- eller boostersystemer. Systemet skal beskyttes af en passende overtryksventil.

- FlowThru™ serie tankene må kun anvendes med et kontrol-drev med variabel hastighed eller variabel frekvensdrev for pumpesystemet.

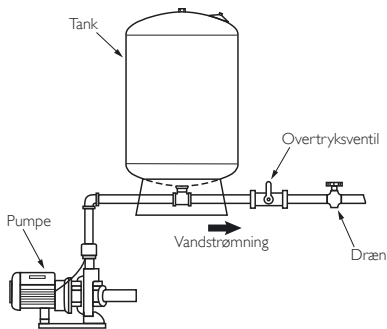


Fig. 1.4-2 med konvertibel jet pumpe

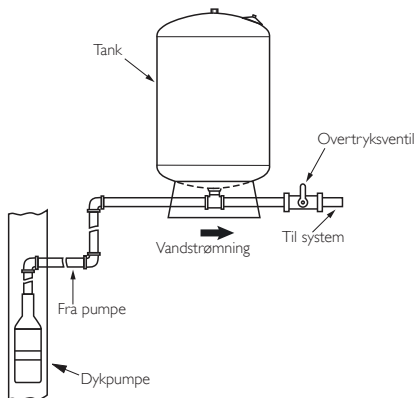


Fig. 1.4-3 med dykpumpe

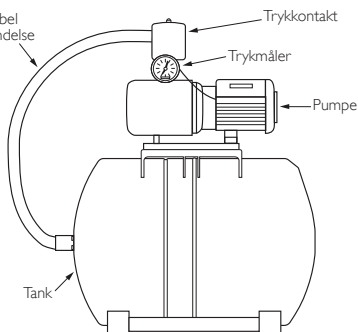


Fig. 1.4-4 Booster pumpe m/horizontal tank

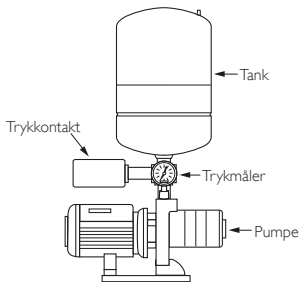


Fig. 1.4-5 Booster pumpe m/ inline tank

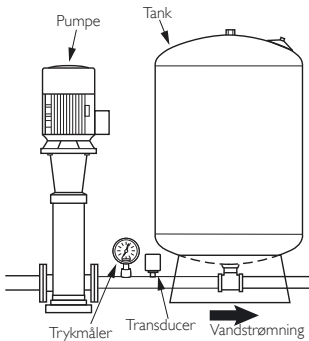


Fig. 1.4-6 Booster pumpe m/ tank

1.5 Installation af flere tank

Alle tanke skal have det samme fortryk for at fungere tilfredsstillende. Tanke skal installeres på et hoved for at sikre at alle tanke modtager et ens og balanceret tryk. Juster fortrykket for hver tank som beskrevet i detaljer i afsnit 1.3. Systemets trykkontakt eller kontrol skal placeres centralt (se Fig. 1.5) for at tankene skal fungere ordentligt.

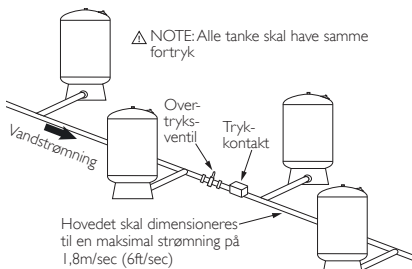


Fig. 1.5 Installation af flere tank

Hovedet skal dimensioneres til en maksimal strømning på 1,8m/sec (6ft/sec)

1.6 Driftsprincipper for kontrol af pumpekørsel

Uden en tryktank vil systemets pumpe skifte (køre) hver gang der er behov for vand. Denne hyppige og potentielt korte kørsel vil forkorte levetiden for pumpen. Tryktanke er designet til at opbevare vand, når pumpen kører og derefter levere vand under tryk tilbage til systemet, når pumpen ikke kører (Fig. 1.6). En passende dimensioneret tank vil indeholde mindst en liter vand for hver liter pr. minut (LPM) af pumpekapaciteten. Dette tillader færre pumpestart og længere køretid, hvilket maksimerer levetiden for pumpen.

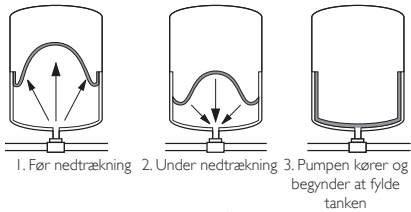


Fig. 1.6

1.7 Udskiftning af almindelige ståltanke med GWS tanke

GWS anbefaler at almindelige defekte tanke udskiftes med GWS tanke. Det anbefales stærkt at der installeres en overtryksventil på forbindelsen til GWS tanken. Forvis dig også om at forbinde luftporten til en jet pumpe, eftersom der ikke længere er behov for luftforsyning til tanken.

2. Installation af tanke med termisk installation

Tanke med termisk ekspansion er designet til at tage højde for den naturlige udvidelse af vand, når det bliver opvarmet. Termiske ekspansionstanke kan bruges til at adskille applikationer inklusive hydroniske varme systemer med lukket kredsløb, direkte og indirekte solvarmesystemer og åbne transportable vandvarmesystemer. GWS har udviklet tre forskellige serier af tanke til brug for hver applikation: HeatWave™ for lukkede hydroniske systemer, SolarWave™ for indirekte opvarmede solvarmesystemer, og ThermoWave™ for direkte solvarmesystemer og transportable, åbne vandvarmesystemer. For højkapacitet termisk ekspansions anvendelse, kan Challenger™ og SuperFlow™ serie tanke anvendes.

⚠ **ADVARSEL:** Kontroller tankens mærkat for maksimalt driftstryk og temperatur forud for installation.

⚠ **ADVARSEL:** Tilsætningsstoffer (så som glykol) kan påvirke den termiske ekspansion og driften af ekspansionstanken. Tal med din GWS forhandler eller nærmeste GWS salgskontor om flere detaljer.

⚠ **ADVARSEL:** Det anbefales kraftigt at ethvert vandvarmesystem beskyttes af en passende overtryksventil, der er indstillet ved eller under det maksimale tanktryk. Hvis der ikke installeres en overtryksventil kan det resultere i tank eksplosion pga. af systemfejl eller overtryk, hvilket kan resultere i skader på ejendom, alvorlige personskader eller dødsfald.

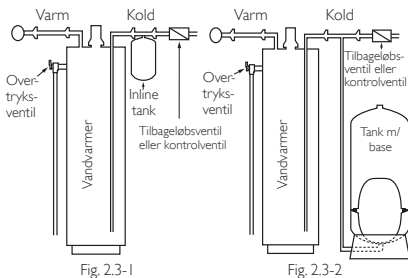
2.1 Fortryk

Ved at anvende en passende trykmåler kontrolleres tankens fortryk inden installationen. Se tankens datamærkat for fabrikkens fortryk. For HeatWave™-tanke i lukkede sløjfevarmekredse skal fortrykket være det samme som systemets påfyldningstryk. For ThermoWave™-tanke i åbne sløjfevarmesystemer skal fortrykket indstilles til forsyningstrykket. For SolarWave™-tanke i lukkede sløjfesolvarmesystemer skal fortrykket indstilles til det mindste systemdriftstryk og / eller påfyldningstryk. Frigiv eller tilføj luft med tankluftventilen efter behov. Kontrollér, at tanken er helt tømt for vand, og at der ikke er noget systemtryk, der påvirker aflæsningen af fortrykket, når tankens fortryk justeres.

2.2 Placeringen af termisk ekspansionstank

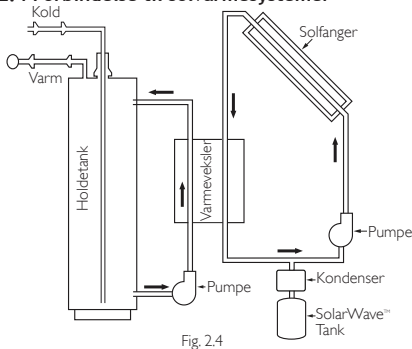
Eftersom tanke, rørforbindelser og andre forbindelser kan lække, selvom de er installeret omhyggeligt, skal du forvisse dig at tanken er installeret på et sted, hvor en lækage ikke vil forårsage vandskader. Den termiske ekspansionstank skal installeres på den kolde side af et vandvarmesystem eller på forsyningsiden. Tanken skal placeres indendørs og beskyttes mod frost.

2.3 Systemforbindelser



Termiske inline ekspansionstanke er designet til at understøttes af systemrørforbindelser og skal forbindes til systemet ved brug af "T" forbindelser (Se Fig. 2.3-1). Vægbeslag er også tilgængelige som valgmulighed for yderligere understøttelse (bed din lokale GWS forhandler om flere informationer). Vertikale tanke med base er designet til at være selvunderstøttende og skal forbindes til systemet med yderligere rørforbindelser (Se Fig. 2.3-2).

2.4 Forbindelse til solvarmesystemer



SolarWave™ tanke er beregnet til brug på et solvæske kredsløb ved indirekte termisk overførselsystemer og kan monteres enten på sugesiden eller tryksiden af cirkulationspumpen. Hvis der er monteret en kondensopsamler til at afkøle den fordampede solvæske, skal den monteres på en placering mellem kredsløbet med solvæske og ekspansionstanken. En overtryksventil skal monteres og de maksimale driftsparametre må ikke overskrides. Hvis temperaturen på solsystemet har risiko for at overstige fordampningspunktet for solvæsken, skal der monteres en kondensopsamler eller spole mellem solfangeren og ekspansionstanken, (Se Fig. 2.4).

2.5 Driftsprincipper for termisk ekspansion

Når vand opvarmes udvides det. En termisk ekspansionstank bliver brugt for at skaffe plads til vandets naturlige ekspansion, som ellers kan føre til øget systemtryk og forårsage skader på rørsystemer, fittings og andre systemkomponenter. En termisk ekspansionstank bruger en membran monteret inden i tanken for at danne en barriere mellem vand- og luftkamre. Luftkammeret virker som en pude, som bliver komprimeret, når det udvidede vand ekspanderer. Den termiske ekspansionstank absorberer det udvidede vands volumen og sikrer konstant systemtryk. Brug af en termisk ekspansionstank sparer også vand og energi. Dette er opnået ved at eliminere behovet for påfyldning og genopvarmning af vand, der er mistet på grund af ventilation fra overtryksventilen under opvarmingscyklussen.

3. Bortskaffelse

Kontroller med de lokale myndigheder for passende bortskaffelse eller genbrug.



PressureWave™ / Max™ / UltraMax™ / M-Inox™ / E-Wave™ / Challenger™ /
C2-Lite CAD™ / FlowThru™ / All-Weather™ / HeatWave™ / SolarWave™ /
ThermoWave™-säiliöt

VAROITUKSET JA MUISTUTUKSET

⚠ **VAROITUS:** Henkilövahinkojen välttämiseksi varmista, että vedenpaine on laskettu kokonaan pois painejärjestelmästä ennen työhön ryhtymistä. Varmista, että pumput on kytketty irti ja / tai eristetty sähköisesti.

⚠ **MUISTUTUS:** Laitteisto on syytä suojata käyttötarkoitukseen sopivalla varoventtiilillä, joka on säädetty säiliön maksimirakennepaineeseen tai sen alapuolelle. Varoventtiilin puuttuminen voi laitteistossa ilmenevän käyttöhäiriön tai ylipaineen vuoksi aiheuttaa säiliön räjähtämisen, mikä johtaa aneellisiin vahinkoihin, vakaviin loukkaantumisiin tai jopa kuolemaan.

⚠ **MUISTUTUS:** Älä käytä painesäiliötä, jos se vuotaa tai siinä on ruostumisen merkkejä tai muita vaurioita.

Asennettu _____ Asentaja: _____

LUKEKAA KAIKKI OHJEET ENNEN UUDEN GLOBAL WATER SOLUTIONS (GWS) -SÄILIÖN ASENTAMISTA

Näissä ohjeissa esitellään GWS-painesäiliöiden oikeat asennus- ja käyttömenetelmät. Kehotamme teitä tutustumaan näihin ohjeisiin huolella ja noudattamaan kaikkia niissä annettuja suosituksia. Mikäli asennuksessa ilmenee vaikeuksia tai tarvitsette lisäohjeita, ottakaa yhteyttä laitteen jälleenmyyjään tai GWS:n lähimpään myyntikonttoriin.

- PressureWave™, Max™, UltraMax™, M-Inox™, E-Wave™, All-Weather™, Challenger™, C2-Lite CAD™, and FlowThru™ -sarjojen säiliöt on suunniteltu käytettäväksi kaivoveden tai juomaveden pumppujärjestelmissä. Kappaleessa 1. annetaan ohjeet näiden säiliöiden asennukseen.
- HeatWave™ ja SolarWave™ -sarjan säiliöt on tarkoitettu suljetun kierron keskuslämmitysjärjestelmiin tai aurinkovesilämmitysjärjestelmiin. Kappaleessa 2. annetaan ohjeet näiden säiliöiden asennukseen.
- ThermoWave™ -sarjan säiliöt on tarkoitettu juoma- ja käyttöveden lämmityslaitteistoihin. PressureWave™, E-Wave™, and Challenger™ -sarjan säiliöt sopivat myös käytettäväksi juoma- ja käyttöveden lämmityslaitteistoissa. Kappaleessa 2. annetaan ohjeet näiden säiliöiden asennukseen.
- Tarkista säiliön arvokilvestä sen maksimikäyttöpainne ja -lämpötila.
- Huolehdi siitä, etteivät säiliö, putkistot eivätkä järjestelmän mitkään osat altistu jäätymiselle.
- Valmistaja ei vastaa mistään tämän kalvopainesäiliön käyttöympäristössä tapahtuvista vesivahingoista.

ASENNUS ON SUORITETTAVA PAIKALLISTEN JA MAAKOHTAISTEN MUKAISESTI. PUTKIASENNUSMÄÄRÄYKSIEN MUKAISESTI.

1. Säiliön asennus kaivovesi- ja pumppujärjestelmään

1.1 GWS-säiliön oikea sijoitus

Jotta säiliö voisi palvella käytössä mahdollisimman pitkään, se on aina asennettava katettuun, kuivaan paikkaan. Säiliö ei saa olla kosketuksissa mitään ympäröivää kovaa pintaa, kuten seinää ym. vasten.

Asenna säiliö sopivaan asennuspaikkaan mahdollisten vuotojen aiheuttamien vesivahinkojen välttämiseksi. Säiliön tulee aina sijaita myötävirtaan pumpusta (pumppun jälkeen). Jos säiliö sijaitsee alemmalla tasolla kuin vedenkäyttöaste, on siihen asennettava takaiskuventtiili. Jos säiliö on asennettu kaasupumpusta, on painekytin asennettava säiliön lähelle. Säiliö on asennettava niin lähelle painekytintä, tuntoelintä tai virtausanturia kuin mahdollista. Tämä pienentää häiriöitä, jotka johtuvat lisääntyneestä kitkahäviöstä sekä säiliön ja / tai päävesijohdon ja painekytimen, tuntoelimen tai virtausanturin välisestä korkeuserosta.

1.2 Laitteiston kytkeminen käyttövalmiiksi

1. Aseta GWS-säiliö lopulliselle asennuspaikalleen.
2. Tee tarvittava tasaus ja vaatus. Kaikki pysty- ja vaakamalliset säiliöt olisi asennettava kiinteälle alustalle. Jos säiliön läheisyydessä esiintyy tärinöitä, säiliö on asennettava joustavalle alustalle. Teräsalustatset säiliöt asennetaan paikalleen L-kiinnikkeillä, kun taas muovialustalla varustetut säiliöt kiinnitetään jalustassa olevista reiästä. Jalustoihin, joissa ei ole valmiita reiäitä, reiät on porattava tasavälein neljän kohtaan jalustan reunukseen, minkä jälkeen säiliö voidaan kiinnittää alustan ohjeen mukaan. Linjaan kytketyt säiliöt liitetään välittömästi pumppuun tai vedensyöttölinjaan T-kappaleella.
3. Liitä säiliö pumppun syöttöputkeen lyhyellä putkella turhan kitkahukan poistamiseksi.
4. Kaikkien putkitusten on oltava voimassaolevien paikallisten säännösten ja normien mukaisia.
5. Tarkista säiliön arvokilvestä, ovatko sen liitokset BSP- vai NTP-kierteisiä.
6. Paineen kohottimiin asennetut säiliöt tulee kiinnittää kuljetuksen ajaksi.

1.3 Esipaineen säätö

Toimiakseen oikein säiliö on esipaineistettava ohjeiden mukaisesti.

1. Säiliöissä, joiden yhteydessä olevaa pumppua ohjaa enintään 2 baarin (30 psi) paine-erolle säädetty painekytin, on esipaine asetettava 0,2 baaria (2 psi) käyttöpainetta alemmaksi.
2. Jos säiliön yhteydessä olevaa pumppua ohjaa yli 2 baarin (30 psi) paine-erolle säädetty painekytin, elektroninen säädin tai nopeudensäädin, on esipaine säädettävä 65 %:iin käyttö- tai maksimipaineesta.
3. Säiliöissä, jotka asennetaan runkojohdon paineeseen, esipaine on säädettävä runkojohdon paineen kanssa samaan tasoon. Jos runkojohdon paine on yli 6 baaria (88 psi), on laitteisto

varustettava sopivalla paineensäätimellä.

Toimikseen oikein painesäiliöt on esipaineistettava seuraavasti:

1. Sammuta pumppu, kytkä säiliö irti putkistosta ja tyhjennä se kokonaan vedestä, jotta vedenpaine ei vaikuttaisi esipaineen mittalukemiin.
2. Mittaa säiliön esipaine sopivalla painemittarilla.
3. Päästä ilmaa pois tai lisää sitä tarvittavan esipainetason saavuttamiseksi.
4. Pane ilmaventtiilin suojakupu paikoilleen ja sinetöi se kiinni tarvikkeisiin sisältyvällä ilmaventtiilin merkkilapulla. Näin voit selvittää mahdollisissa tulevissa huoltotilanteissa, onko venttiiliin koskettu.
5. Kun esipaine on oikein asetettu, ei painetta tarvitse säännöllisesti tarkistaa.

Älä tarkista ilmanpainetta asennuksen jälkeen.

⚠ HUOMIO: Älä koskaan paineista säiliötä liikaa ja käytä säiliön paineistamiseen ainoastaan ympäristölämpötilaa vastaavaa ilmaa!

Jos säiliöön tulee säätää yli 4 baarin (58 psi) paine:

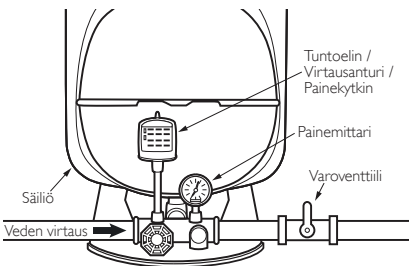
1. Säädä säiliön paine 4 baariin (58 psi).
2. Asenna säiliö järjestelmään.
3. Täytä järjestelmä vedellä järjestelmän tasoittamiseksi ja paineista se paineeseen 4 bar (58 psi).
4. Lisää esipainetta enintään 3 baarin (44 psi) astein ja säädä järjestelmän paine tämän jälkeen uuteen esipaineeseen täyttämällä järjestelmä vedellä.
5. Toista vaiheet 3 ja 4, kunnes vaadittu esipaineistus saavutetaan.

Yli 4 baariin (58 psi) esipaineistetun säiliön tyhjentäminen:

1. Varmista, että säiliössä on vettä.
2. Eristä säiliö järjestelmästä (sulje eristysventtiili).
3. Varmista, ettei säiliöön pääse enempää vettä (sulje pumppu ja / tai vedensyöttö).
4. Tyhjennä ilma säiliöstä, kunnes jäljellä on 3 baarin (44 psi) säiliö- / ilmanpaine.
5. Avaa tyhjennysventtiili ja sen jälkeen eristysventtiili säiliön tyhjentämiseksi.

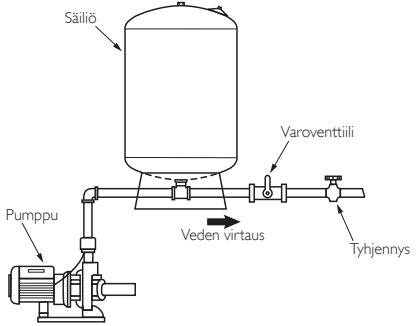
⚠ HUOMIO: Varmista aina, ettei järjestelmän paine laske koskaan yli 4 baaria (58 psi) esipaineistuksen alapuolelle. Jos järjestelmän painetta on laskettava, säiliö tulee eristää tai tyhjentää edellä mainittujen ohjeiden mukaisesti.

1.4 Tyypillisiä laitekoonpanoja

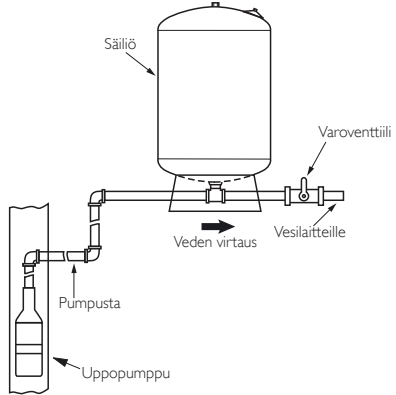


Kuva 1.4-1 Asennettu säiliö tarvikkeineen

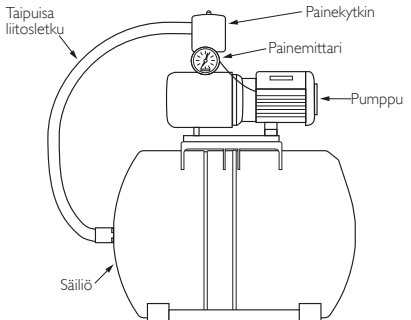
- Tämä on kaivovedelle tai pumppujärjestelmään asennettu kalvopainesäiliö. Laitteisto on suojattava varoventtiilillä.
- FlowThru™ - sarjan säiliötä saa käyttää ainoastaan nopeussäätöisellä (VSD) tai taajuusmuuttajaohjatulla (VFD) pumppukäytöllä ohjatuissa pumppujärjestelmissä.



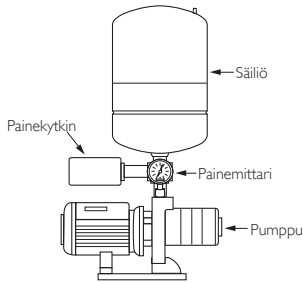
Kuva 1.4-2 Asennus vesiautomaatin kanssa



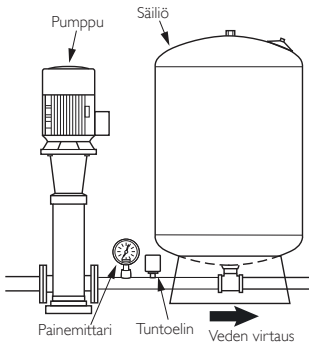
Kuva 1.4-3 Asennus uppopumpun kanssa



Kuva 1.4-4 Paineenkorotuspumppu vaakamallisen säiliön kanssa



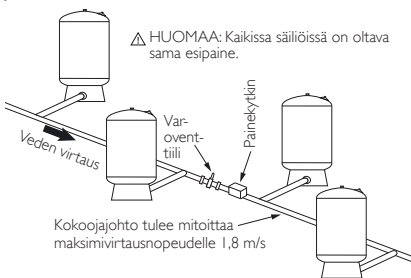
Kuva 1.4-5 Paineenkorotuspumppu linjaan asennetun säiliön kanssa



Kuva 1.4-6 Paineenkorotuspumppu

1.5 Usean säiliön asennus

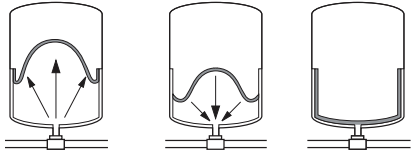
Kaikissa säiliöissä on oltava sama esipaine, jotta järjestelmä toimisi oikein. Säiliöt on asennettava kokoojalinjalle, jotta kaikkiin säiliöihin tuleva paine olisi samansuuruinen ja tasapainossa. Säädä kunkin säiliön esipaine kohdassa 1.3. selostetun mukaisesti, järjestelmän painekeytkin tai paineensäädin on sijoitettava keskelle (ks. Kuva 1.5), jotta säiliöt toimisivat oikein.



Kuva 1.5 Usean säiliön asennus

1.6 Pumpun toiminnanohjauksen periaatteet

Ilman painesäiliötä vesilaitteiston pumppu käynnistyy aina, kun vettä otetaan johdosta. Tällaiset usein toistuvat ja mahdollisesti lyhytkestoiset toimintajaksot lyhentäisivät pumpun käyttöikää. Painesäiliöt on suunniteltu varastoimaan vettä pumpun toimiessa ja sitten jakamaan paineistettua vettä takaisin järjestelmään, kun pumppu on pysähtynyt (Kuva 1.6). Riittävän suuri säiliö varastoi vähintään yhden litran vettä kutakin pumpun minuuttivirtaamassa (LPM) ilmoitettua litraa kohti. Tämä mahdollistaa harvemmat pumpun käynnistymiset ja pidemmät käyntiajat, minkä ansiosta pumppu voi saavuttaa mahdollisimman pitkän käyttöiän.



Kuva 1.6

1.7 Terässäiliön korvaaminen GWS-säiliöllä

GWS suosittelee, että voittuneet terässäiliöt korvataan GWS-säiliöllä. On erittäin suositeltavaa asentaa varoventtiili GWS-säiliön yhteyteen. Sulje ehdottomasti myös vesiautomaatin (pumpun) ilmakana, sillä ilmaa ei enää tarvitse syöttää säiliöön.

2. Paisuntasäiliön asennus

Paisuntasäiliöt on suunniteltu tasoitamaan veden luonnollisen lämpölaajenemisen vaikutusta. Paisuntasäiliötä voidaan käyttää monissa laitteistoissa, kuten suljetun kierron keskuslämmitys-järjestelmissä, suorissa tai epäsuorissa aurinko lämmitys-järjestelmissä ja avoimissa juoma- ja käyttöveden lämmitys-järjestelmissä. GWS on kehittänyt kolme eri säiliösarjaa käytettäväksi erityyppisissä laitteistoissa: HeatWave™ sopii suljetun kierron vesikeskuslämmitys-järjestelmiin, SolarWave™ epäsuoriin suljettuihin aurinkolämmitys-järjestelmiin sekä ThermoWave™ suoriin aurinkolämmitys-järjestelmiin ja avoimiin juoma- ja käyttöveden lämmitys-järjestelmiin. Laitteistoissa, joissa tapahtuu voimakasta lämpölaajenemista, voidaan käyttää Challenger™ ja SuperFlow™ -sarjojen säiliötä.

⚠ **VAROITUS:** Tarkista säiliön arvokilvestä ennen asennusta sen maksimikäyttöpainne ja -lämpötila.

⚠ **VAROITUS:** Lisäaineet (kuten glykoli) voivat vaikuttaa lämpölaajenemiseen ja paisuntasäiliön toimintaan. Tarkista GWS-jälleenmyyjältä tai lähimmästä GWS:n myyntikonttorista tarkemmat tiedot.

⚠ **MUISTUTUS:** On erittäin suositeltavaa, että kaikki lämmitys-järjestelmät suojataan käyttötarkoitukseen sopivalla varoventtiilillä, joka on säädetty säiliön maksimirakennepaineeseen tai sen alapuolelle. Varoventtiilin puuttuminen voi järjestelmässä ilmenevän käyttöhäiriön tai ylipaineen vuoksi aiheuttaa säiliön räjähtämisen, mikä johtaa aineellisiin vahinkoihin, vakaviin loukkaantumisiin tai jopa kuolemaan.

Модели PressureWave™ / Max™ / UltraMax™ / M-Inox™ / E-Wave™ / Challenger™ / C2-Lite CAD™ / FlowThru™ / All-Weather™ / HeatWave™ / SolarWave™ / ThermoWave™

ВНИМАНИЕ

- ⚠ **ПРЕДУПРЕЖДЕНИЕ:** Во избежание травм, до начала проведения работ убедитесь, что в напорной системе полностью отсутствует гидравлическое давление. Отсоедините насосы и (или) отключите их от электропитания.
- ⚠ **ПРЕДУПРЕЖДЕНИЕ:** Настоятельно рекомендуется обеспечить защиту клапаном соответствующим предохранительным клапаном сброса давления, установленным на уровне максимально допустимого давления в баке или ниже того уровня. Отсутствие предохранительного клапана сброса давления может, в случае нарушения нормальной работы системы или слишком высокого давления, привести к взрыву бака, и, как следствие, порче имущества, травмам и даже смерти.
- ⚠ **ПРЕДУПРЕЖДЕНИЕ:** Не используйте бак при обнаружении в нем течи, а также следов коррозии или порчи.

Установлен (дата) _____ (кем) _____

**ПРЕЖДЕ ЧЕМ ПРИСТУПАТЬ
К УСТАНОВКЕ НОВОГО БАКА
GLOBAL WATER SOLUTIONS (GWS),
ВНИМАТЕЛЬНО ОЗНАКОЬТЕСЬ
ИНСТРУКЦИЯМИ**

Данные инструкции были подготовлены с целью ознакомить вас с правильными методами установки и эксплуатации мембранного бака GWS. Мы призываем вас внимательно прочитать данный документ и выполнять все его рекомендации. В случае возникновения трудностей при установке или потребности в дополнительной информации, вам необходимо связаться с торговым агентом, у которого была приобретена система, или с ближайшим отделом продаж компании GWS.

- Баки моделей PressureWave™, Max™, UltraMax™, M-Inox™, E-Wave™, All-Weather™, Challenger™, C2-Lite CAD™, и FlowThru™ предназначены для использования в артезианских системах или системах подачи питьевой воды под высоким давлением. Подробно процесс установки представлен в разделе 1.
- Баки модели HeatWave™ и SolarWave™ предназначены для использования в системах жидкотопного или солнечного нагрева непитьевой воды замкнутого цикла. Подробно процесс установки представлен в разделе 2.
- Баки модели ThermoWave™ предназначены для использования в нагревательных устройствах для питьевой воды открытого цикла. Баки моделей PressureWave™, E-Wave™ и Challenger™ могут также быть использованы в нагревательных устройствах для питьевой воды открытого цикла. Подробно процесс установки представлен в разделе 2.
- См. маркировку бака для информации о максимальном рабочем давлении и максимальной температуре.
- Необходимо предохранять бак, систему трубы и все компоненты системы от воздействия минусовых температур.
- Производитель не несет ответственности за кающуюся порчу воды в связи с использованием данного мембранного бака.

УСТАНОВКА ДОЛЖНА ПРОИЗВОДИТЬСЯ В СООТВЕТСТВИИ С МЕСТНЫМИ И ГОСУДАРСТВЕННЫМИ НОРМАМИ НА ВЫПОЛНЕНИЕ САНИТАРНО-ТЕХНИЧЕСКИХ РАБОТ.

1. Установка баков для артезианских систем и систем подачи воды под давлением

1.1 Правильное размещение бака GWS

Для обеспечения максимального срока службы бака, он всегда должен устанавливаться в сухом, закрытом месте. Поверхность бака не должна соприкасаться с окружающими твердыми поверхностями, такими как стены и т.п.

В целях предотвращения ухудшения качества воды вследствие протечек необходимо удалять бак в соответствующем месте. Бак всегда должен находиться ниже по потоку от насоса. Если бак расположен на уровне, ниже требуемого, необходимо установить запорный клапан. Если бак установлен на большем расстоянии от насоса, необходимо установить переключатель давления рядом с баком. Бак должен быть установлен как можно ближе к переключателю давления, преобразователю или датчику потока. Это снизит нежелательное воздействие потерь в показателях в связи с дополнительным трением и разницей в положении бака по вертикали относительно водовода, переключателя давления, преобразователя и датчика потока.

1.2 Подключение системы

1. Расположить бак GWS как сказано в инструкции.
2. Как следует выровнять его. Как вертикальные, так и горизонтальные модели баков должны быть размещены на прочном основании. Если вблизи бака возможно возникновение вибрации, он должен быть установлен на упругой опоре. Баки со стальным основанием должны устанавливаться с использованием поставляемых в комплекте L-образных скоб, а баки с пластиковым основанием должны крепиться через отверстия в основании. Для установки баков с основаниями, не имеющими отверстий, необходимо просверлить четыре равноудаленных по ободу бака отверстия. Линейные баки должны быть подключены напрямую к насосу или к линии электрооборудования, используя T-образное соединение.
3. Подсоединить бак к напорной линии, используя короткую трубу, чтобы исключить ненужные потери на трение.
4. Все работы по подведению труб должны быть выполнены в соответствии с действующими местными техническими условиями и стандартами.
5. Тип резьбового соединения (BSP или NPT) указан на маркировке бака.
6. Баки, смонтированные на установках повышения давления, перед транспортировкой должны быть закреплены ремнями.

1.3 Регулирование предварительного давления

Для надлежащей работы бака необходимо правильно установить предварительное давление.

1. Для баков, установленных с насосом, регулируемым переключателем давления с дифференциалом давления до 2 бар (30 psi), предварительное давление должно быть установлено на 0,2 бар (2 psi) ниже давления включения.
2. Для баков, установленных с насосом, регулируемым переключателем давления с дифференциалом давления выше 2 бар (30 psi), электронным управлением или различными регуляторами скорости, предварительное давление должно быть установлено на 65% от давления включения или на максимальное давление в системе.

- Для баков, установленных на магистральном давлении, предварительное давление должно быть равным магистральному. Для магистрального давления, превышающего 6 бар (88 psi) необходимо устанавливать соответствующий регулятор давления.

Для правильной работы предварительное давление в мембранных баках должно быть выставлено следующим образом:

- Выключить насос, отсоединить бак от системы и полностью слить из него всю воду. Давление воды не должно влиять на величину предварительного давления.
- Пользуясь соответствующим манометром, проверить предварительное давление (давление предварительной зарядки) бака.
- Выпустить или добавить воздух по мере необходимости для приведения предварительного давления к требуемой величине.
- Завинтить защитный колпачок воздушного вентиля и опечатать его с использованием специальной бирки, если она предусмотрена. Это позволит при последующем техническом обслуживании установить, имели ли место несанкционированные попытки снять колпачок для доступа к вентилю.
- После надлежащей установки предварительного давления не требуется постоянных проверок наличия воздуха.

Не проверяйте наличие воздуха после установки.

⚠ ВНИМАНИЕ! Запрещается превышать установленное давление бака; для обеспечения нужного предварительного давления следует использовать только воздух, имеющий температуру окружающей среды!

Если предварительное давление бака должно составить более 4 бар (58 psi):

- Отрегулировать величину предварительного давления бака, установив ее на значение 4 бар (58 psi).
- Установить бак в систему.
- Заполнить систему водой, чтобы уравнивать давление в системе и предварительное давление на уровне 4 бар (58 psi).
- Повышать предварительное давление на величину не более 3 бар (44 psi) за один раз, а затем регулировать давление в системе так, чтобы оно сравнялось с новым уровнем предварительного давления, заполняя для этого систему водой.
- Повторять шаги 3 и 4 до тех пор, пока не будет достигнуто нужное предварительное давление.

Опорожнение бака, предварительное давление в котором составляет более 4 бар (58 psi):

- Убедиться в том, что в баке имеется какое-то количество воды.
- Отсоединить бак от системы (закрыть отсечной клапан).
- Убедиться в том, что попадание в бак дополнительных объемов воды исключено (отключить насос и / или любые виды подачи воды).
- Спустить воздух из бака так, чтобы давление в баке / воздуха составило 3 бар (44 psi).
- Открыть сливной клапан, а затем отсечной клапан для слива воды из бака.

⚠ ВНИМАНИЕ: Необходимо следить за тем, чтобы давление в системе никогда не опускалось более чем на 4 бар (58 psi) ниже предварительного давления. Если необходимо снизить давление в системе, следует изолировать бак или опорожнить его, как это описано выше.

1.4 Обычная установка

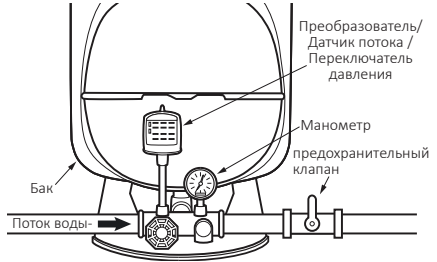


Рис. 1.4-1 Установка бака с комплектующими деталями

- Это мембранная разновидность напорного бака для использования в артезианских системах и системах подачи воды под напором. Система должна быть защищена соответствующим клапаном сброса давления.
- Баки модели FlowThru™ должны использоваться только в насосных системах с приводом с регулируемой скоростью или приводом с частотным регулированием.

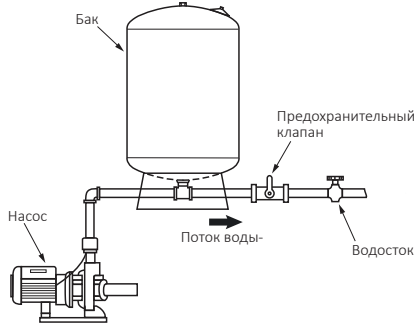


Рис. 1.4-2 С трансформируемым струйным насосом

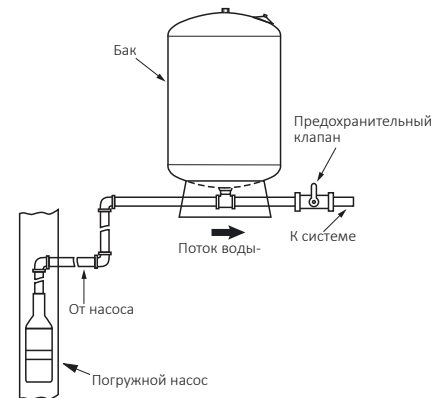


Рис. 1.4-3 С погружным насосом

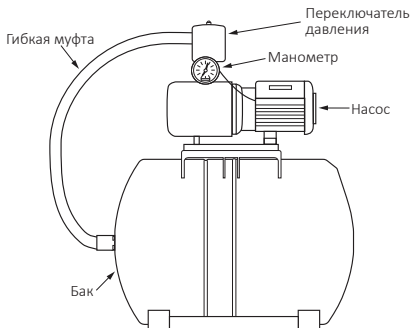


Рис. 1.4-4 подкачивающий насос с горизонтальным баком

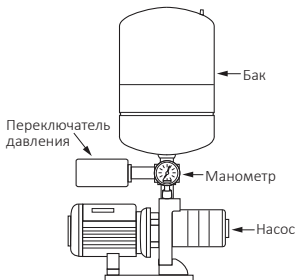


Рис. 1.4-5 подкачивающий насос с линейным баком

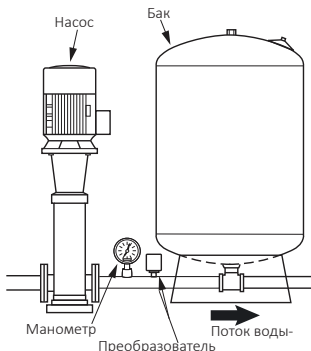


Рис. 1.4-6 подкачивающий насос с баком

1.5 Установка нескольких баков

Во всех баках для нормальной работы системы должно быть одинаковое предварительное давление. Баки должны быть установлены на магистрали для обеспечения одинакового и сбалансированного давления. Предварительное давление в каждом баке должно быть отрегулировано в соответствии с инструкциями в разделе 1.3. Для правильной работы всех

баков переключатель давления системы должен располагаться посередине (см. рис. 1.5).



Рис. 1.5 Установка нескольких баков

1.6 Механизм контроля работы насоса

Без мембранного бака насос водонапорной системы включался бы каждый раз при возникновении потребности в воде. Такое частое и потенциально короткое повторение цикла укорачивало бы срок эксплуатации насоса. Напорные баки предназначены для накопления воды в период работы насоса, а затем, обратной подачи ее, находящейся под давлением, в систему в период бездействия насоса (рис. 1.6). В баке соответствующего размера накапливается, по меньшей мере, один литр воды на каждый литр в минуту (л / мин) мощности насоса. Это позволяет сократить количество запусков насоса и продлить периоды его работы, что максимально увеличивает срок эксплуатации насоса.

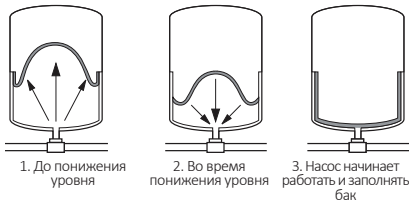


Рис. 1.6

1.7 Замена баков из нелегированной стали на баки GWS

Компания GWS рекомендует замену поврежденных баков из нелегированной стали на баки GWS. Настоятельно рекомендуется установка предохранительного клапана сброса давления при подключении бака GWS. Также требуется обязательно закупорить отверстие для воздуха на струйном насосе, поскольку воздух больше не потребует вдувать в бак воздух.

2. Установка расширительного бака

Расширительные баки призваны компенсировать естественное расширение воды при нагревании. Расширительные баки могут использоваться во множестве различных устройств, включая системы жидкостного нагрева замкнутого цикла, системы прямого и непрямого солнечного нагрева и системы нагрева питьевой воды открытого цикла. Компанией GWS созданы три различные модели баков, используемые в каждом из устройств: HeatWave™ для систем жидкостного нагрева замкнутого цикла, SolarWave™ для систем непрямого солнечного нагрева замкнутого цикла и ThermoWave™ для систем прямого солнечного нагрева и систем нагрева питьевой воды открытого цикла. Для устройств с высоким объемом

температурного расширения могут быть использованы баки серии Challenger™ и SuperFlow™.

⚠ ПРЕДОСТЕРЕЖЕНИЕ: Перед началом установки проверьте маркировку бака и уточните максимальное рабочее давление и температуру.

⚠ ПРЕДОСТЕРЕЖЕНИЕ: Примеси (такие как гликоль) могут повлиять на температурное расширение и работу расширительного бака. Дополнительную информацию можно получить у торгового агента компании GWS или в ближайшем отделе продаж компании GWS.

⚠ ПРЕДУПРЕЖДЕНИЕ: Настоятельно рекомендуется обеспечить защиту всех систем соответствующим предохранительным клапаном сброса давления, датчик которого установлен на максимально допустимое давление в баке или ниже его. Отсутствие предохранительного клапана сброса давления может, в случае нарушения нормальной работы системы или слишком высокого давления, привести к взрыву бака, и, как следствие, порче имущества, травмам и даже смерти.

2.1 Предварительное давление

Пользуясь соответствующим манометром, проверить до установки предварительное давление бака. Данные по предварительному давлению, обеспечиваемому на заводе, см. на паспортной табличке бака. В баках HeatWave™ в системах нагрева с замкнутым циклом следует создавать предварительное давление, равное давлению после заполнения системы (статическому давлению). В баках ThermoWave™ в системах нагрева питьевой воды с накоплением с открытым циклом следует создавать предварительное давление, равное давлению в сети (магистральному). В баках SolarWave™ в солнечных системах с закрытым циклом следует создавать предварительное давление, равное минимальному рабочему давлению системы и / или давлению после заполнения. Сброс или подача воздуха выполняется с помощью воздушного клапана бака. Необходимо проследить за тем, чтобы в баке не оставалось никакой воды, и чтобы давление системы не оказывало влияние на показания предварительного давления при выполнении регулировки предварительного давления бака.

2.2 Расположение расширительного бака

Поскольку даже при правильной установке возможно протекание баков, труб и муфт, необходимо устанавливать бак там, где любое протекание не повлечет порчи воды. Расширительный бак должен быть установлен на холодной стороне или стороне питания любой из нагревательных систем. Бак должен быть установлен в помещении и защищен от минусовых температур.

2.3 Подключение системы

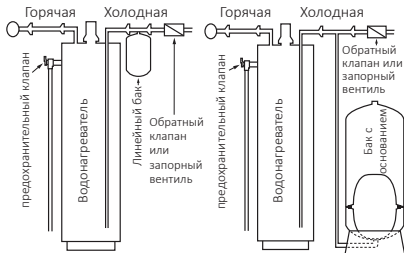


Рис. 2.3-1

Рис. 2.3-2

Линейные расширительные баки должны поддерживаться системой труб и должны быть соединены с гидросистемой, используя Т-образное соединение. Для более прочного крепления предлагаются дополнительные скобы для настенного монтажа (дополнительную информацию можно получить от местных торговых агентов компании GWS). Вертикальные баки с основанием не требуют дополнительной опоры и должны подключаться к системе добавочными трубами (См. рис. 2.3-2).

2.4 Подключение системы солнечного нагрева

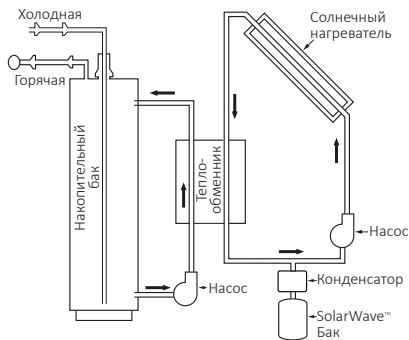


Рис.2.4

Баки SolarWave™ предназначены для использования в цикле нагрева жидкости солнечной энергией в системах прямой термальной передачи и могут быть установлены либо на стороне низкого давления либо на напорной стороне циркуляционного насоса. В случае применения конденсатора для охлаждения испаряемой жидкости, он должен находиться между циклом жидкости, нагреваемой солнечной энергией, и расширительным баком. Необходимо использовать предохранительный клапан сброса давления и не превышать максимальных рабочих параметров. Если температура солнечной энергетической системы может потенциально подниматься выше точки испарения нагреваемой жидкости, требуется отделение для конденсатора или спираль между солнечным нагревателем и расширительным баком (см. рис. 2.4).

2.5 Механизм работы расширительных баков

По мере нагревания вода расширяется. Расширительные баки призваны компенсировать компенсируют естественное расширение воды при нагревании, которое, в противном случае, может привести к повышению давления в системе, что приводит к порче труб, арматуры и других компонентов системы. В расширительном баке используется мембрана, герметично вставленная в него для создания барьера между отделениями для воды и воздуха. Воздушная камера выступает в роли амортизатора, сжимающегося по мере того, как расширяется нагреваемая вода. Расширительный бак вращает в себя увеличившийся объем воды и обеспечивает сохранение постоянного давления в системе. Использование расширительных баков помогает экономить воду и энергию. Это достигается устранением необходимости нагрева доливаемой воды, траваемой при выпуске пара через предохранительный клапан сброса давления во время нагревания.

3. Уничтожение

Правила утилизации и уничтожения мембранных баков необходимо узнать у местных властей.



PressureWave™ / Max™ / UltraMax™ / M-Inox™ / E-Wave™ / Challenger™ / C2-Lite CAD™ / FlowThru™ / All-Weather™ / HeatWave™ / SolarWave™ / ThermoWave™ 系列

注意和警告

△ **注意：**为防止人身伤害，在执行工作前请确保全部水压从压力系统释放。请确保水泵断开连接和/或电气绝缘。

△ **警告：**强烈建议用设定为小于或等于最大额定压力压力的合适减压阀来保护系统。未安装减压阀可能会在系统故障或超压的情况下导致压力罐爆炸，造成财产损失、严重的人身伤害或死亡。

△ **警告：**如果压力罐泄漏或出现腐蚀或损坏的迹象，请勿使用。

由 _____ 于 _____ 安装

安装新的GLOBAL WATER SOLUTIONS (GWS) 压力罐前，请阅读所有说明

这些说明旨在告知您安装和操作GWS压力罐的正确方法。请您仔细阅读本文档并按照所有建议操作。如果安装有困难或需要更多建议，请联系您购买系统的经销商或附近的GWS销售办公室。

- PressureWave™、Max™、UltraMax™、M-Inox™、E-Wave™、All-Weather™、Challenger™、C2-Lite CAD™、和FlowThru™系列压力罐设计用于井水或饮用水增压系统。有关安装详细说明，请参阅第1部分。
- HeatWave™和SolarWave™系列压力罐设计用于非饮用水闭循环加热或太阳能水加热系统。有关安装详细说明，请参阅第2部分。
- ThermoWave™系列压力罐设计用于开环饮用水加热应用。PressureWave™、E-Wave™和Challenger™系列也用于开环饮用水加热应用。有关安装详细说明，请参阅第2部分。
- 有关最大工作压力和最高温度，请参阅压力罐数据标签。
- 务必保护压力罐、管道和所有系统组件不会达到冻结温度。
- 制造商对于任何有关隔膜压力罐的水渍损失概不负责。

安装必须依照地方和国家管道工程法规。

1. 井水和增压系统压力罐安装

1.1 GWS压力罐正确位置

为确保压力罐达到最长使用寿命，务必安装在隐蔽干燥的位置。压力罐不可与墙壁等周围硬表面摩擦。

将压力罐安装在适当位置以防因泄露而产生水渍损失。压力罐必须位于水泵下游。如果压力罐位置低于所需高度，则应安装止回阀。如果压力罐远离水泵安装，则需在压力罐附近安装压力开关。压力罐应尽量靠近压力开关、变频器或流量传感器安装。这样将减少附加摩擦损失和压力罐和/或总水管和压力开关、变频器或传感器之间叠加产生的不利影响。

1.2 系统连接

1. 将GWS压力罐放置在最终理想位置。
2. 根据情况调水平。所有立式和卧式型号的压力罐均应放置于牢固基座上。如果附近区域可能会发生震动，则压力罐应安装在弹性支架上。钢基座的压力罐应使用附送的“L”形支架进行安装，而塑料基座的压力罐应通过基座中的孔进行安装。对于没有孔的基座，应在沿基座边缘等距的四点处钻孔，然后相应安装。直连式压力罐应直接连接到水泵或使用“T”型连接到供水管线。
3. 用短管将压力罐连接到水泵供水管线以消除不必要的压力损失。
4. 所有管道应依照当地适用法规和标准。
5. 请参阅压力罐数据标签以确认BSP或NPT螺纹连接。
6. 安装在增压机组上的压力罐应该固定牢靠以利于运输。

1.3 调节预充压力

正确的压力罐性能需要正确的预充压力。

1. 对于用压力开关控制水泵以压差最大设定为2巴（30 psi）安装的压力罐，预充压力应设定为接入压力以下 0.2巴（2 psi）。
2. 对于用压力开关控制水泵以大于2巴（30 psi）的压差安装的压力罐，预充压力应设定为断开压力或最大系统压力的65%。
3. 对于主压力上安装的压力罐，压力罐预充压力应设定为等于主压力。对于超过 6巴（88 psi）的主压力，应安装合适的压力调节器。

为了正确操作，压力罐应如下预充压力：

1. 关闭水泵，从系统断开压力罐的连接并完全排空压力罐内的所有水以免水压影响预充压力读数。
2. 使用合适的压力表，检查压力罐的预充压力。
3. 根据情况释放或增加空气以调节到所需的预充压力。
4. 如果可能的话，在更换防护空气阀盖时，使用空气阀标签进行封印。这将让您在将来维修服务时确定此阀是否被他人随意旋动过。
5. 正确设定预充压力后，无需定期检查空气充量。

注意：切勿对压力罐过分充压，并仅以在环境温度下的空气对压力罐预充压力！

如果压力罐的预充压力要超过4巴(58磅/平方英寸)：

1. 调整压力罐的预充压力到4巴(58磅/平方英寸)。
2. 将压力罐安装到系统中。
3. 向系统中注水以平衡系统并预充压力到4巴(58磅/平方英寸)。
4. 每次最多增加预充压力3巴(44磅/平方英寸)，然后通过向系统中注水调整系统的压力到新的预充压力。
5. 重复第3和第4步直到达到所要求的预充压力。

清空预充压力超过4巴(58磅/平方英寸)的压力罐：

1. 确保压力罐中有一些水。
2. 将压力罐与系统隔离开(关闭隔离阀)。
3. 确保不会再有额外的水进入到压力罐中(关闭水泵和/或者任何的供水)。
4. 释放压力罐中的空气，直到压力罐/空气压力剩下3巴(44磅/平方英寸)。
5. 打开排水阀然后开隔离阀排干压力罐。

注意：确保系统压力不得低于4巴(58磅/平方英寸)的预充压力。如果需要调低系统压力，请根据前面所描述的，预先拆下或者排空压力罐。

1.4 典型安装

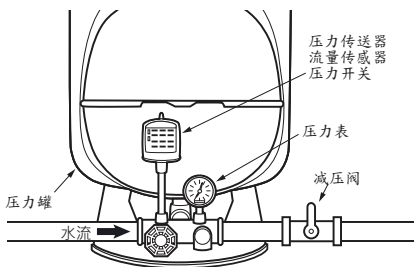


图 1.4-1 压力罐安装及附件

- 这是隔膜型压力罐，用于井水或增压系统。此系统必须由合适的减压阀保护。
- FlowThru™系列压力罐只可用于变速驱动或变频驱动水泵控制系统。

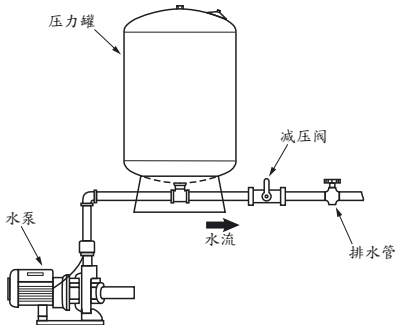


图 1.4-2 带有可逆喷射泵

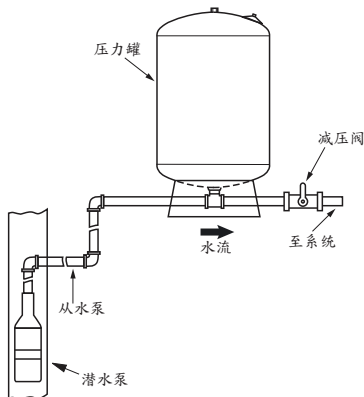


图 1.4-3 带有潜水泵

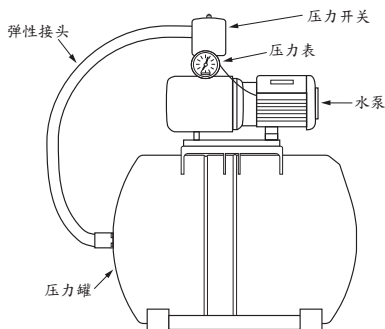


图1.4-4 带有卧式压力罐的增压泵

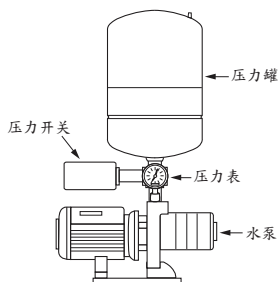


图1.4-5 带有直立式压力罐的增压泵

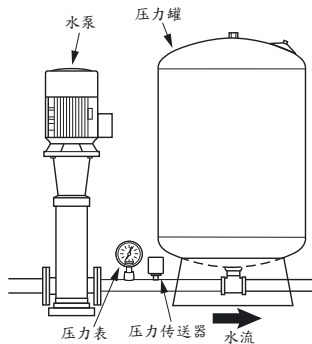


图1.4-6 带有直立式压力罐的增压泵

1.5 多压力罐安装

所有压力罐必须具有相同的预充压力才能使系统正确工作。压力罐应安装在管座上以确保所有压力罐承受相等和平衡的压力。按照第1.3部分的详细说明调节各压力罐的预

充压力。为了让压力罐正确工作，系统压力开关或控制应居中（见图1.5）。

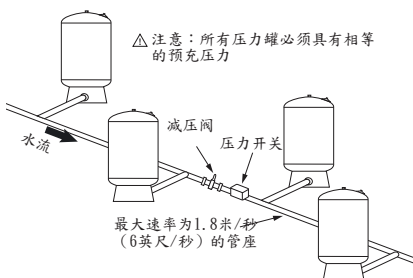


图1.5 多压力罐安装

1.6 水泵运行控制工作原理

如果没有压力罐，水系统泵将在每次需要水时循环（开启）。这种频繁和潜在的短期循环会缩短水泵的寿命。压力罐设计用于在水泵运行时储水，然后在水泵关闭时将加压的水送回系统（图1.6）。合适大小的压力罐将对每升/分（LPM）水容量存储至少一升水。这样可以减少水泵启动次数并延长运行时间，使水泵的寿命最大化。

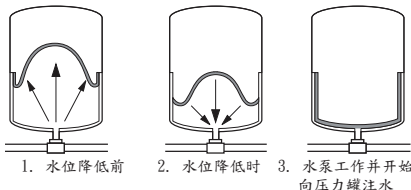


图1.6

1.7 用GWS压力罐更换普通钢罐

GWS建议用GWS压力罐更换有缺陷的普通钢罐。并强烈建议在GWS压力罐连接时安装减压阀。还务必塞住喷射泵上的空气孔，因为压力罐不再需要空气供给。

2. 热膨胀压力罐安装

热膨胀压力罐设计用于适应水加热时的自然膨胀。热膨胀压力罐可用于多种不同应用，包括闭环循环加热系统、直接和间接太阳能加热系统，以及开环饮用水加热系统。GWS已开发三种不同系列的压力罐用于各种应用：HeatWave™用于闭环循环加热系统、SolarWave™用于直接闭环太阳能加热系统，且ThermoWave™用于直接太阳能加热和开环饮用水加热系统。对于高容量热膨胀应用，可使用Challenger™和SuperFlow™系列压力罐。

△ 警告：安装前，请检查压力罐数据标签以了解最大工作压力和最高温度。

△ 警告：添加剂（如乙二醇）会影响热膨胀和膨胀压力罐工作。详情请咨询GWS经销商或附近的GWS销售办公室。

△ 警告：强烈建议用设定为小于或等于最大额定压力罐压力的合适减压阀来保护加热系统。未安装减压阀可能会在系统故障或超压的情况下导致压力罐爆炸，造成财产损失、严重的人身伤害或死亡。

2.1 预充压力

使用合适的压力表，在安装前检查压力罐的预充压力。有关出厂预充压力，请参阅压力罐数据标签。HeatWave™ 压力罐是闭路加热循环回路，其预充压力应设定为等于系统加注压力。ThermoWave™ 压力罐是开路加热存储系统，其预充压力应该预充到主压力。对于闭路的太阳能系统的SolarWave™ 压力罐，预充压力应设定为最小系统工作压力和/或加注压力。通过压力罐空气阀相应释放或增加空气。调节压力罐预充压力时，确保压力罐完全排空水且无系统压力影响预充压力读数。

2.2 热膨胀压力罐位置

即使安装正确，压力罐、管道和连接也会泄漏，因此务必将压力罐安装在漏水不会造成水损的位置。热膨胀压力罐应安装在加热系统的冷水或供水侧。该罐应在室内安装并受保护不会达到冻结温度。

2.3 系统连接

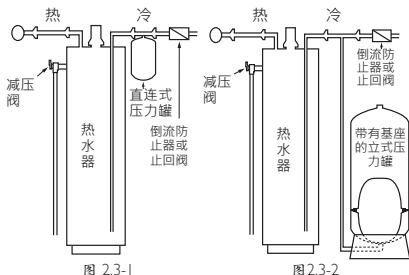


图 2.3-1

图 2.3-2

热膨胀直连式压力罐设计为通过系统管道支撑，并应使用“T”式连接而连接到系统管道（见图2.3-1）。选购的壁挂式支架也可用于增强支撑（有关更多信息，请咨询当地GWS经销商）。带有基座的立式压力罐设计为自支持并应使用支管连接到系统（见图2.3-2）。

2.4 太阳能加热系统连接

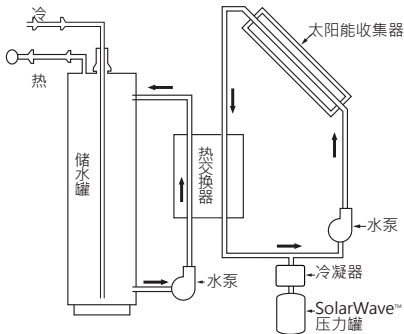


图 2.4

SolarWave™ 压力罐旨在用于间接热传递系统的太阳能液环，并可以安装在循环泵的吸入侧或压力侧。

如果采用冷凝器冷却蒸发的太阳能液体，则冷凝器必须位于太阳能液环和膨胀压力罐之间。应采用减压阀且不得超过最大工作参数。如果太阳能系统的温度有可能上升到高于太阳能液体的蒸发点，则太阳能收集器和膨胀压力罐之间需要加装冷凝器室或盘管（见图2.4）。

2.5 热膨胀工作原理

水加热时即膨胀。热膨胀压力罐用于适应这种自然水膨胀，否则可能会增加系统压力并造成管道、配件和其他系统组件损坏。热膨胀压力罐使用容器内密封的隔膜在水和空气室之间形成屏障。空气室作为缓冲垫，当加热的水膨胀时可压缩。热膨胀压力罐吸收膨胀的水量并确保维持恒定的系统压力。使用热膨胀压力罐还能储存水和能量。无需重新加注和加热在加热循环期间从减压阀排出而损失的热，因此可以实现这一功能。

3. 弃置

咨询地方当局有关正确弃置和回收的信息。



DE INSTALLATIE MOET IN OVEREENSTEMMING ZIJN MET DE LOKALE EN NATIONALE VOORSCHRIFTEN.

VOORZORGSMAATREGELEN EN WAARSCHUWINGEN

⚠️ VOORZORGSMAATREGEL: Om persoonlijk letsel te voorkomen, moet er, alvorens het werk aan te beginnen, verzorgd worden dat alle waterdruk wordt afgeleiden van het druksysteem. Kijk na of de pompen afgekoppeld en / of elektrisch uitgeschakeld zijn.

⚠️ WAARSCHUWING: Het wordt sterk aangeraden het systeem te beschermen met een aangepaste overdrukklep ingesteld op of onder de maximale toegelaten druk van de tank. Als er geen overdrukklep geplaatst wordt, kan de tank exploderen in geval van een systeemstoring of overdruk, met materiële schade, ernstig persoonlijk letsel of de dood tot gevolg.

⚠️ WAARSCHUWING: Gebruik de druktank niet als deze lekt of tekenen vertoont van corrosie of schade.

Aanpassing van de voorvuldruk

Om de tank goed te laten functioneren, is correct voorvullen noodzakelijk.

1. Bij tanks die geïnstalleerd zijn met een pomp die geregeld wordt door een drukschakelaar met een drukdifferentiaal afgesteld op 2 bar (30 psi) of kleiner, moet de voorvuldruk 0,2 bar (2 psi) lager gezet worden dan de inschakeldruk.
2. Bij tanks die geïnstalleerd zijn met een pomp die geregeld wordt door een drukschakelaar met een drukdifferentiaal dat groter is dan 2 bar (30 psi), elektronische besturing of variabele toerentalbesturing, moet de voorvuldruk worden ingesteld op 65% van de uitschakeldruk of maximale druk van het systeem.
3. Bij tanks die aangesloten zijn op de hoofdleiding, moet de voorvuldruk gelijkgesteld worden met de druk van de hoofdleiding. Voor hoofdleidingen met een druk groter dan 6 bar (88 psi), moet een geschikte drukregelaar geïnstalleerd worden.

Voor een goede werking, moet het voorvullen van druktanks als volgt gebeuren:

1. Zet de pomp af, ontkoppel de tank van het systeem en laat het water in de tank volledig af om te vermijden dat de

- waterdruk de metingen van het voorvullen beïnvloedt.
 2. Controleer de voorvuldruk van de tank met een geschikte manometer.
 3. Voeg lucht toe of ontlucht voor zover nodig om de voorvuldruk aan te passen aan het vereiste niveau.
 4. Plaats de beschermkap van het ventiel terug en verzegel deze met het ventielabel (indien meegeleverd). Hierdoor kan u bij toekomstige onderhoudsbeurten nagaan of er met het ventielabel werd.
 5. Nadat de voorvuldruk juist werd ingesteld, zijn er geen regelmatige luchtdrukcontroles meer nodig.
- Controleer de lucht niet na de installatie.**

⚠️ WAARSCHUWING: Overbelast de tank nooit en vul de tank alleen voor met lucht op omgevings temperatuur!

Als de tank moet worden gevuld tot meer dan 4 bar (58 psi):

1. Voeg lucht toe tot de voorvuldruk 4 bar (58 bar) bedraagt.
2. Installeer de tank in het systeem.
3. Vul het systeem met water totdat de systeem druk gelijk is aan de voorvuldruk van 4 bar (58 psi).
4. Verhoog de voorvuldruk in stappen van maximaal 3 bar (44 psi) en verhoog de systeemdruk door het systeem verder met water te vullen tot de systeemdruk gelijk is aan de voorvuldruk.
5. Herhaal stap 3 en 4 tot de gewenste voorvuldruk is bereikt.

Legen van een tank met een voorvuldruk van meer dan 4 bar (58 psi):

1. Verzeker dat er water in de tank zit.
2. Isoleer de tank van het systeem (sluit de isolatieklep).
3. Verzeker dat er geen extra water in de tank kan komen (sluit de pomp en / of andere watertoevoer).
4. Verlaag de druk in de tank tot deze 3 bar (44 psi) bedraagt.
5. Open een afvoer kraan en daarna de isolatieklep om de tank te legen.

⚠️ Waarschuwing: Verzeker dat de systeemdruk nooit lager is dan 4 bar (58 psi) onder de voorvuldruk. Isoleer of leeg de tank als de systeemdruk moet worden verlaagd.

Voor de GWS beperkte garantie, zie de garantie sectie startend op pagina 66.

Voor de CE verklaring van overeenstemming, zie pagina 72 en 73.

Fig. 1-7

- 1 Tank
- 2 Manometer
- 3 Pomp

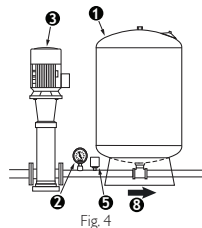
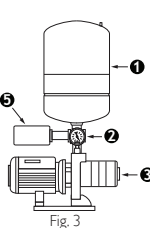
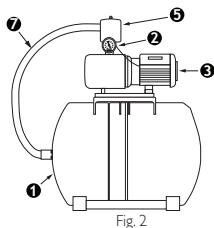
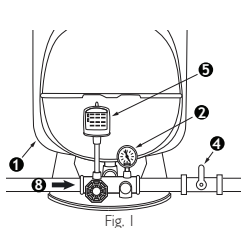
- 4 Overdrukklep
- 5 Druktransmitter / Doorstroomsensor / Drukschakelaar
- 6 Afvoer

- 7 Flexibel aansluitstuk
- 8 Waterdoorstroming
- 9 Van de pomp
- 10 Naar het systeem

Fig. 7

A ⚠️ Leidingwerk dat gedimensioneerd dient te worden voor een maximale snelheid van 1,8m/sec (6 ft/sec)

B ⚠️ NOTA: Alle tanks moeten een gelijke voorvuldruk hebben



NO

INSTALLASJONS- OG DRIFTSVEILEDNING

INSTALLASJONEN SKAL UTFØRES I OVERENSSTEMMELSE MED DE LOKALE OG OFFISIELLE LOVER FOR SANITÆRINSTALLASJONER

ADVARSLER

⚠ OBS: For å unngå personskader, sørg for at alt vanntrykk slippes ut fra trykksystemet før arbeid utføres. Sørg for at pumper er koblet fra og / eller elektrisk isolert.

⚠ ADVARSEL: Det anbefales på det sterkeste at systemet beskyttes med en passende trykkbegrensningsventil, innstilt på eller under angitt maksimalt tanktrykk. Hvis det ikke installeres en trykkbegrensningsventil, kan dette føre til at tanken eksploderer ved systemfeil eller overtrykk, som igjen kan gi skade på eiendom eller personlig skade eller dødsfall.

⚠ ADVARSEL: Ikke bruk trykktanken hvis den lekker eller har tegn til rust eller skader.

Justering av forladingstrykk

Riktig forlading er nødvendig for at tanken skal få optimal yteevne.

1. For tanker installert med en trykkbryter-styrt pumpe med trykkforskjell satt til opp til 2 bar (30 psi), skal forladingstrykket settes til 0,2 bar (2 psi) under minimumstrykket.
2. For tanker installert med en pumpe som styres av trykkbryter med trykkforskjell større enn 2 bar (30 psi), elektronisk kontroll eller variabel hastighetskontroll, skal forladingstrykket settes til 65% av maksimalt systemtrykk.
3. For tanker som er installert på hovedtrykk, skal forladingstrykket settes til det samme som hovedtrykket. For hovedtrykk over 6 bar (88 psi), skal det installeres en passende trykkregulator.

For riktig drift må trykktankene forlades på følgende måte:

1. Skru av pumpen, koble tanken fra systemet, og tapp ut alt vannet fra tanken for å unngå at vanntrykket påvirker forladingsmålingene.
2. Bruk en egnet trykkmåler og kontrollere forladingstrykket i tanken.
3. Slipp ut eller tilfør luft slik det er nødvendig for samsvar med

ønsket forladingstrykk.

4. Skift ut luftventilnetten og forsegle med luftventil- etiketten, hvis denne finnes. Det gjør det mulig, ved eventuelle senere forespørsler om serviceinngrep, å kontrollere om ventilen har blitt klusset med.
5. Etter at forladingstrykket er riktig innstilt, er det ikke nødvendig med jevnlig kontroll av luftladingen.

Ikke kontroller luften etter installasjon.

⚠ ADVARSEL: Tanken må aldri overlades, og kun forlades med luft ved romtemperatur!

Hvis tanken skal forlades over 4 bar (58 psi):

1. Justere tankens forlading til 4 bar (58 psi).
2. Montere tanken i anlegget.
3. Fyll anlegget med vann, slik at anlegget og forladingstrykket utlignes til 4 bar (58 psi).
4. Øk forladingstrykket gradvis med maks. 3 bar (44 psi) om gangen, og justere trykket i anlegget til det nye forladingstrykket ved å fylle vann i anlegget.
5. Gjenta trinn 3 og 4 til du har nådd ønsket forladingstrykk.

Tømme en tank med forladingstrykk på over 4 bar (58 psi):

1. Kontrollerer at det er litt vann i tank.
2. Isolere tanken fra anlegget. (Lukk skilleventilen).
3. Sjekk at det ikke kan komme mer vann inn i tanken (lukk pumpen og / eller eventuell vanntilførsel).
4. Slipp ut luft av tanken til lufttrykket i tanken ligger på 3 bar (44 psi).
5. Åpne tømmeventilen og deretter skilleventilen for å tømme tanken.

⚠ ADVARSEL: Forsikre deg om at trykket i anlegget aldri er mer enn 4 bar (58 psi) lavere enn forlading. Hvis trykket i anlegget må reduseres, må tanken isoleres eller tømmes som beskrevet ovenfor.

Vennligst se garantiavsnittet f.o.m. side 66, for GWS Limited garantierklæring.

Vennligst se side 72 og 73 for CE-samsvareklæringen.

Fig. 1-7

- 1 Tank
- 2 Trykkmåler
- 3 Pumpe

- 4 Trykkbegrensningsventil
- 5 Transformator / Strømningssensor / Trykkbryter

- 6 Avløp
- 7 Elastisk kobling
- 8 Vannstrøm
- 9 Fra pumpe

- 10 Til system
- 11 Transformator

Fig. 7

- A** Samlestokk dimensjonert for maksimal hastighet på 1.8 m/sek
B MERK: Alle tankene må ha likt forladingstrykk

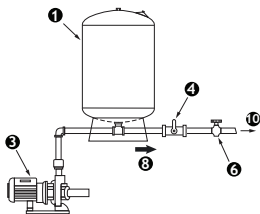


Fig. 5

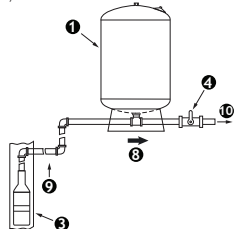


Fig. 6

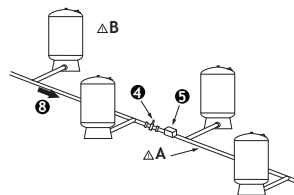


Fig. 7

INSTALACJĘ NALEŻY PRZEPROWADZIĆ ZGODNIE Z LOKALNYMI I KRAJOWYMI PRZEPISAMI HYDRAULICZNYMI.

PRZESTROGI I OSTRZEŻENIA

⚠ **PRZESTROGA:** Aby zapobiec zranieniom osób, przed podjęciem jakichkolwiek napraw, upewnij się, że wszelkie ciśnienie wody jest odciążone. Ze pompy ciśnienia są wyłączone i / lub elektrycznie zaizolowane.

⚠ **OSTRZEŻENIE:** Zaleca się stanowczo, aby system został wyposażony w zawór bezpieczeństwa ustawiony poniżej maksymalnego poziomu ciśnienia zbiornika. Brak takiego zaworu, w przypadku awarii systemu lub nadmiernego ciśnienia, może skutkować wybuchem zbiornika, uszkodzeniem mienia, poważnym zranieniem osób lub nawet śmiercią.

⚠ **OSTRZEŻENIE:** Nie używać zbiornika, jeśli zbiornik przecieka, wykazuje symptomy korozji lub jest inaczej uszkodzony.

Regulacja ciśnienia wstępnego

Właściwe ciśnienie wstępne jest wymagane dla właściwej eksploatacji zbiornika.

1. W przypadku zbiorników instalowanych z przelącznikiem ciśnienia, sterującym pompą różnicj ciśnienj, ciśnienie przelącznika ustaw do 2 atm (30 psi), ciśnienie wstępne ustaw na 0,2 atm (2 psi) poniżej ciśnienia wyłączenia pompy.
2. W zbiornikach instalowanych z pompą sterowaną przelącznikiem ciśnienia o ciśnieniu różnicowym większym, niż 2 atm (30 psi), sterowaniem elektronicznym lub sterowaniem zmienną szybkością, ciśnienie wstępne powinno być ustawione do 65% ciśnienia wyłączenia pompy lub maks. ciśnienia systemu.
3. Przy zbiornikach instalowanych dla ciśnienia głównego, ciśnienie wstępne zbiornika powinno być równe ciśnieniu głównemu. Jeśli ciśnienie główne przewyższa 6 atm (88psi), należy zainstalować odpowiedni regulator.

Dla właściwej eksploatacji, zbiorniki ciśnieniowe powinny mieć ustawiane wstępne ciśnienia następujące:

1. Wyłącz pompę, odłącz zbiornik od systemu i wypuść z niego całą wodę, aby zalegająca woda nie wpłynęła na odczyty ciśnienia wstępnego.
2. Przy użyciu odpowiedniego manometru, sprawdź ciśnienie wstępne zbiornika.
3. Aby wyregulować do poziomu ciśnienia wstępnego, usuń lub dodaj powietrze do zbiornika.
4. Załóż kapturek ochronny zaworu powietrza i zaplombuj

przy pomocy etykiety, o ile ją dostarczono. Dzięki niej w przypadku przyszłych interwencji serwisowych będziesz mógł określić, czy ktoś nie manipulował przy zaworze.

5. Po poprawnym ustawieniu ciśnienia wstępnego, niepotrzebne są dalsze sprawdzenia powietrza.

Po instalacji nie sprawdzaj powietrza.

⚠ **PRZESTROGA:** Nigdy nadmiernie nie napełniaj zbiornika, a do napełniania wstępnego stosuj wyłącznie powietrze o temperaturze otoczenia!

Jeżeli w zbiorniku występuje ciśnienie wstępne powyżej 4 barów (58 psi):

1. Wyreguluj ciśnienie wstępne zbiornika na 4 bary (58 psi).
2. Zainstaluj zbiornik w systemie.
3. Napełnij system wodą, aby doprowadzić go do ciśnienia wstępnego wynoszącego 4 bary (58 psi).
4. Zwiększaj stopniowo ciśnienie wstępne do maksymalnie 3 barów (44 psi), a następnie wyreguluj ciśnienie systemu do nowego ciśnienia wstępnego poprzez wypełnienie systemu wodą.
5. Powtórz punkty 3 i 4 do momentu osiągnięcia wymaganego ciśnienia wstępnego.

Opróżnianie zbiornika, gdy ciśnienie wstępne przekracza 4 bary (58 psi):

1. Upewnij się, czy w zbiorniku znajduje się pewna ilość wody.
2. Odizoluj zbiornik od systemu (zamknij zawór izolacyjny).
3. Upewnij się, że żadna dodatkowa woda nie może dostawać się do zbiornika (wyłącz pompę i / lub jakiegokolwiek zasilanie wodą).
4. Upuść powietrze z zbiornika, dopóki nie pozostanie ciśnienie zbiornika / powietrza wynoszące 3 bary (44 psi).
5. Otwórz zawór spustowy, a następnie zawór izolacyjny, aby opróżnić zbiornik.

⚠ **PRZESTROGA:** Upewnij się, że ciśnienie systemu nie jest nigdy niższe niż 4 bary (58 psi) od ciśnienia wstępnego. Jeżeli ciśnienie systemu wymaga obniżenia, zbiornik powinien zostać odizolowany lub opróżniony w sposób opisany wcześniej.

Jeśli chodzi o certyfikat Ograniczonej Gwarancji GWS, zapoznaj się z sekcją rozpoczynającą się na stronie 66.

Jeśli chodzi o Deklarację zgodności CE, zapoznaj się ze stronami 72 i 73.

Fig. 1-7

- 1 Zbiornik
- 2 Ciśnieniomierz
- 3 Pompa

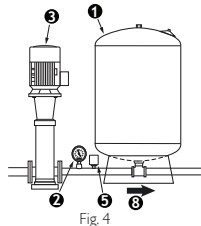
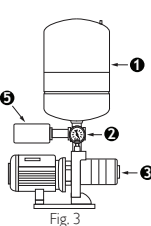
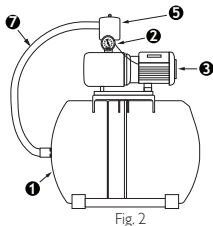
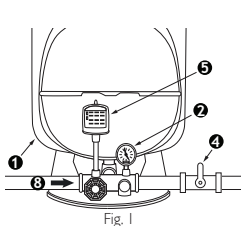
- 4 Zawór bezpieczeństwa
- 5 Przetwornik / Czujnik przepływu / Wyłącznik ciśnienia
- 6 Spust

- 7 Złącze elastyczne
- 8 Przepływ wody
- 9 Od pompy
- 10 Do systemu

Fig. 7

⚠ **A:** Głowica powinna być dopasowana rozmiarem do maksymalnej szybkości przepływu 1,8 m/sek. (6 ft/sek.)

⚠ **B:** **UWAGA:** Wszystkie zbiorniki muszą mieć to samo ciśnienie



INSTALACE MUSÍ BÝT V SOULADU S MÍSTNÍMI A STÁTNÍMI ZÁKONY PRO VODOVODY.

UPOZORNĚNÍ A VÝSTRAHY

Δ UPOZORNĚNÍ: Abyste zabránili poranění osob, zajistěte, aby byl veškerý tlak vody z tlakového systému uvolněn před prováděním práce. Zajistěte, aby byla čerpadla odpojena a / nebo elektricky izolována.

Δ VÝSTRAHA: Důrazně se doporučuje, aby byl systém chráněn vhodným přetlakovým pojistným ventilem nastaveným na maximální jmenovitý tlak nádoby nebo na tlak nižší. Opomenutí instalovat přepouštěcí ventil může v případě poruchy systému nebo při překročení tlaku vést k explozi nádoby, jež způsobí škody na majetku, vážné poranění osob nebo smrt.

Δ VÝSTRAHA: Jestliže nádoba prosakuje nebo jeví známky koroze či poškození, nepoužívejte ji.

Nastavení přetlaku vzduchu

Pro řádný provoz nádoby je třeba správný přetlak vzduchu.

- Pro nádoby instalované s čerpadlem ovládaným tlakovým spínačem s diferenciálním tlakem nastaveným do 2 baru (30 psi) by měl být přetlak vzduchu nastaven o 0,2 baru (2 psi) pod zapínací tlak.
- Pro nádoby instalované s čerpadlem ovládaným tlakovým spínačem s diferenciálním tlakem větším než 2 baru (30 psi), s elektronickým řízením nebo s měničím frekvence by měl být tlak vzduchu nastaven na 65% vypínacího nebo maximálního tlaku systému.
- Pro nádoby instalované na vodovodní řád by měl být tlak vzduchu v nádobě nastaven na tlak v řádu. Pokud tlak přívodního potrubí přesahuje 6 barů (88 psi), měl by být instalován vhodný redukční ventil.

Pro správný provoz tlakové nádoby by měl být tlak vzduchu nastaven následovně:

- Vypněte čerpadlo, odpojte nádrž od systému a kompletně vypusťte všechnu vodu z nádoby, aby tlak vody neovlivňoval ukazované údaje tlaku vzduchu v nádobě.
- Pomocí vhodného tlakoměru zkontrolujte tlak v nádobě před plněním.
- Uberte nebo přidejte vzduch dle potřeby pro nastavení

požadovaného tlaku.

- Nasaďte ochranné víčko vдуchového ventilu a zapečťte štítek vдуchového ventilu, pokud je k dispozici. To vám pro případ budoucích požadavků na servis umožní určit, zda bylo s ventilem manipulováno.
- Po správném nastavení tlaku vдуchu v nádobě nejsou pravidelné kontroly vдуchové náplně potřebné.

Nekontrolujte vдуch po instalaci.

Δ UPOZORNĚNÍ: Nikdy nádobu nepřepřijíte a plňte nádobu vдуchem jen při teplotě okolí!

Jestliže má být nádoba naplněna nad 4 bary (58 psi):

- Nastavte plnění nádoby na 4 bary (58 psi).
- Proveďte instalaci nádoby do systému.
- Naplňte systém vodou, aby se vyrovnal tlak systému a plnicí tlak na 4 bary (58 psi).
- Zvyšujte plnicí tlak v krocích po nejvýše 3 barech (44 psi) a poté nastavte tlak systému na nový plnicí tlak tím, že systém naplníte vodou.
- Opakujte kroky 3 a 4, dokud není dosaženo požadovaného plnění.

Vyprázdnění nádoby, která je naplněna nad 4 bary (58 psi):

- Zkontrolujte, zda je v nádobě voda.
- Oddělte nádobu od systému (zavřete uzavírací ventil).
- Zajistěte, aby se do nádoby nedostala další voda (vypněte čerpadlo nebo přívod vody).
- Vypusťte vдуch z nádoby, aby tlak v nádobě / tlak vдуchu zůstal na hodnotě 3 bary (44 psi).
- Otevřete vypouštěcí ventil a uzavírací ventil a vypusťte nádobu.

Δ UPOZORNĚNÍ: Před plněním zajistěte, aby tlak v systému nebyl nikdy menší než 4 bary (58 psi). Jestliže je potřeba tlak v systému snížit, nádobu je potřeba oddělit nebo vyprázdnit, jak bylo popsáno dříve.

Plné znění limitované záruky GWS najdete v části záruky na straně 66.

Prohlášení o shodě CE najdete na straně 72 a 83.

Fig. 1-7

- 1 Nádoba
- 2 Manometr
- 3 Čerpadlo

- 4 Pojistný ventil
- 5 Snímač / Čidlo průtoku / Tlakový spínač
- 6 Odtok

- 7 Pružné připojení
- 8 Průtok vody
- 9 Od čerpadla
- 10 K systému

Fig. 7

- A Δ Hlavní sběrné potrubí musí být dimenzováno pro maximální rychlost 1,8 m/sec (6 ft/sec)
- B Δ POZNÁMKA: Všechny nádoby musí mít stejný přednastavený tlak vдуchu

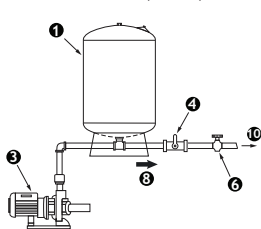


Fig. 5

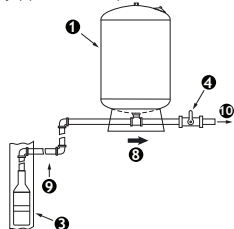


Fig. 6

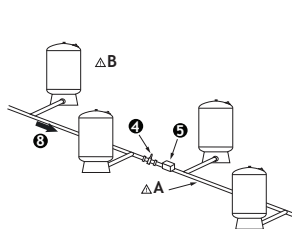


Fig. 7

NÁVOD NA POUŽITIE A INŠTALÁCIU

INŠTALÁCIA SA MUSÍ VYKONAŤ V SÚLADE S MIESTNYMI A ŠTÁTNYMI ZÁKONMI O INŠTALÁCII.

UPOZORNENIA A VÝSTRAHY

⚠ UPOZORNENIE: Aby ste zabránili poraneniu osôb, zaistite, aby bol všetok tlak vody z tlakového systému uvoľnený pred vykonávaním práce. Zaistite, aby boli čerpadlá odpojené z elektrickej siete.

⚠ VÝSTRAHA: Dôrazne sa odporúča, aby bol systém chránený vhodným pretlakovým poistným ventilom nastaveným na maximálny menovitý tlak nádoby, alebo na tlak nižší. Zanedbanie inštalácie synchronného ventilu môže v prípade poruchy systému alebo pri prekročení tlaku viesť k explózií nádoby, ktorá spôsobí škody na majetku, vážne poranenie osôb alebo smrť.

⚠ VÝSTRAHA: Ak nádoba presakuje alebo javí známky korózie či poškodenia, nepoužívajte ju.

Nastavenie tlaku originálnej náplne plynu

Pre správnu prevádzku nádoby je potrebný správny tlak náplne plynu.

1. Pre nádoby inštalované s čerpadlom ovládaným tlakovým spínačom s nastaveným diferenciálnym tlakom do 2 baru (30 psi) by mal byť tlak náplne plynu nastavený o 0,2 baru (2 psi) nižšie ako je hodnota spínacieho tlaku.
2. Pre nádoby inštalované s čerpadlom ovládaným tlakovým spínačom s nastaveným diferenciálnym tlakom vyšším ako 2 baru (30 psi), alebo s čerpadlom ovládaným frekvenčným meničom by mal byť tlak náplne plynu nastavený na 65% vypínacieho tlaku alebo až na maximálny tlak systému.
3. Pre nádoby inštalované na prívodné potrubie by mala byť tlak náplne plynu v nádobe nastavený na hodnotu tlaku prívodnom potrubí. Ak tlak v prívodnom potrubí presahuje 6 barov (88psi), mal by byť inštalovaný vhodný redukčný ventil tlaku.

Pre správnu prevádzku by tlakové nádoby mali byť naplnené plynom nasledovným postupom:

1. Vypnite čerpadlo, odpojte nádrž od systému a kompletne vypustite všetku vodu z nádoby, aby tlak vody neovplyvňoval ukazované údaje tlaku originálnej náplne plynu.
2. Pomocou vhodného tlakomera skontrolujte tlak originálnej náplne nádrže.

3. Odoberte alebo pridajte vzduch podľa potreby pre nastavenie požadovaného tlaku originálnej náplne plynu.
4. Vyberte ochrannú čiapku ventilu vzduchu a zapečťajte štítkom, ak bol dodaný. V prípade požiadaviek na servis v budúcnosti vám to umožní zistiť, či sa ventilom manipulovalo.
5. Po správnom nastavení originálnej náplne plynu nie sú pravidelne kontroly vzduchovej náplne potrebné.

Nekontrolujte vzduch po inštalácii.

⚠ UPOZORNENIE: Nádobu nikdy nepreplňujte a plňte ju originálnou náplňou plynu len pri teplote okolia!

Ak je potrebné nádobu naplniť na tlak vyšší ako 4 bary (58 psi):

1. Upravte tlak originálnej náplne nádrže na 4 bary (58 psi).
2. Nainštalujte nádobu do systému.
3. Naplňte systém vodou, aby sa vyrovnal a nastavte tlak originálnej náplne na 4 bary (58 psi).
4. Tlak originálnej náplne zvyšujte maximálne po 3 baroch (44 psi) a potom upravte tlak systému na tento nový tlak naplnením vody do systému.
5. Zopakujte kroky 3 a 4, kým sa nedosiahne požadovaný tlak originálnej náplne.

Vyprázdnenie nádoby, ktorej tlak náplne je vyšší ako 4 bary (58 psi):

1. Uistite sa, že v nádobe je nejaké množstvo vody.
2. Izolujte nádobu od systému (zatvorte uzatvárací ventil).
3. Uistite sa, že sa do nádoby nemôže dostať žiadna ďalšia voda (zatvorte čerpadlo a akýkoľvek prívod vody).
4. Vypustite z nádoby vzduch, kým nebude tlak v nádobe 3 bary (44 psi).
5. Otvorením vypúšťacieho ventilu a potom uzatváracieho ventilu vyprázdnite nádobu.

⚠ UPOZORNENIE: Zaistite, aby tlak systému nebol nikdy nižší než 4 bary (58 psi) pod tlakom originálnej náplne. Ak je potrebné znížiť tlak systému, nádoba sa musí izolovať alebo vyprázdniť podľa vyššie uvedeného postupu.

Vyhľadanie o obmedzenej záruke spoločnosti GWS nájdete v časti o záruke na strane 66.

Vyhľadanie o zhode ES nájdete na stranách 72 a 73.

Fig. 1-7

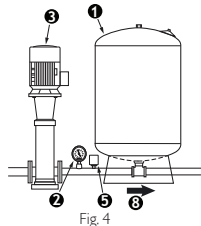
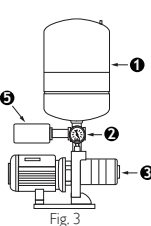
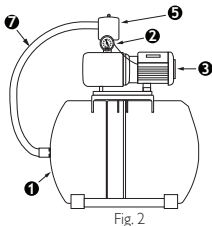
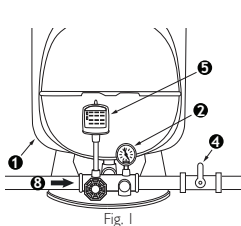
- 1 Nádobu
- 2 Merač tlaku
- 3 Čerpadlo

- 4 Synchronný ventil
- 5 Snímač / Čidlo toku / Tlakový spínač
- 6 Odtok
- 7 Pružná spojka

- 8 Tok vody
- 9 Od čerpadla
- 10 K systému

Fig. 7

- A **⚠** Hlavné zberné potrubie musí byť dimenzované pre maximálnu rýchlosť 1,8 m/sec (6 ft/sec)
- B **⚠ POZNÁMKA:** Všetky nádoby musia mať rovnakú originálnu náplň plynu



A TELEPÍTÉS A HELYI ÉS AZ ORSZÁGOS SZERELÉSI NORMÁK BETARTÁSÁVAL KELL TÖRTÉNYJEN.

INTÉSEK ÉS FIGYELMEZTÉSK

⚠ INTÉSEK: A sérülések elkerülésének céljából, munkakezdés előtt bizonyosodjon meg arról, hogy a nyomárendszerben lévő víz nincs nyomás alatt. Továbbá, bizonyosodjon meg arról is, hogy a szivattyúk ki vannak kapcsolva és / vagy szigeteltek elektromosság ellen.

⚠ FIGYELEM: Ajánlott, hogy a rendszert egy megfelelő nyomáscsökkentő szelep védje. Ennek működési szintje egyenlő vagy kisebb kell legyen, mint a tartályban lévő maximális nyomásérték. Ha nem történik meg a túlnyomászelep telepítése fennáll a veszélye annak, hogy rendszerhiba vagy túlnyomás esetében a tartály felrobban, ami anyagi károkat, sérüléseket vagy halált okoz.

⚠ FIGYELEM: Ne használja a nyomásálló tartályt, ha azon folyást, korróziót vagy károsodást észlel.

A feltöltés előtti nyomás meghatározása

A tartály megfelelő működéséhez szükséges az előzetes feltöltés.

1. Az olyan tartályok esetében, melyek rendelkeznek nyomásszabályozóval felszerelt szivattyúval, amelyek esetében a maximális nyomás-differencia nem haladja meg a 2 bar (30 psi) értéket, az előzetes töltés esetében ajánlott érték: 0,2 bar (2 psi) a bekapcsolási nyomás értéke alatt.
2. Az olyan tartályok esetében, melyek rendelkeznek nyomásszabályozóval felszerelt szivattyúkkal, amelyek esetében a nyomás-differencia meghaladja a 2 bar (30 psi) értéket, az elektromos vezérlőberendezések, a sebességszabályozó berendezések, és az előzetes feltöltés esetében az ajánlott érték: a rendszerben lévő maximális nyomás vagy a kikapcsolási nyomás 65%-a.
3. A nyomás alatt lévő fő táplálóvezetékhez csatolt tartályok esetében az előzetes feltöltés értéke egyenlő kell legyen a fő táplálóvezetékben lévő nyomás értékével. Abban az esetben, ha a fő vezetékben lévő nyomás meghaladja a 6 bar (88 psi) értéket, szükséges egy megfelelő nyomásszabályozó telepítése.

FA megfelelő működés céljából, végezze a nyomásálló tartályok előzetes feltöltését az ekképpen:

1. Kapcsolja ki a szivattyút, kapcsolja le a tartályt a rendszerről és ürítse ki a tartályt teljesen, hogy megelőzze a víznyomás kihatását az előzetes feltöltés értékeire.

2. Használjon egy megfelelő nyomásmérőt, és ellenőrizze az előzetes feltöltés során keletkezett nyomást a tartályban.
3. Szükség szerint engedjen, vagy szivattyúzzon levegőt, hogy szükségszerűen beállítsa az előzetes feltöltés következtében kialakult nyomást.
4. Cserélje ki a védő szerepet betöltő fűvőzelep fedelét, és zárja le azt a fűvőzelep címkejével, ha van mellékelve. Ez lehetővé teszi annak megállapítását, hogy a szelep megbabrált-e a jövőbeli szervizhívások esetén.
5. Az előzetes feltöltés után nem szükséges a töltőlevegő rendszeres ellenőrzése.

Ne ellenőrizze a levegő állapotát telepítés után.

⚠ VIGYÁZAT: Soha ne töltse túl a tartályt, és a tartály előzetes feltöltését kizárólag szobahőmérsékletű levegővel végezze!

Ha a tartály előzetes feltöltése 4 bar (58 psi) fölé történik:

1. Állítsa be a tartály előzetes feltöltését 4 bar (58 psi) értékre.
2. Telepítse a tartályt a rendszerbe.
3. Töltse fel a rendszert vízzel a rendszer kiegyenlítéséhez, és végezze el az előzetes feltöltést 4 bar (58 psi) értékre.
4. Növelje az előzetes feltöltés nyomást maximum 3 baros (44 psi) lépésekkel, és ezután állítsa be a rendszernyomást az új előtöltési nyomásra a rendszerbe vizet töltve.
5. Ismétlje meg a 3. és 4. lépést, amíg a szükséges előtöltést el nem éri.

4 bar (58 psi) feletti előtöltéssel rendelkező tartály kiürítése:

1. Győződjön meg arról, hogy van valamennyi víz a tartályban.
2. Válassza le a tartályt a rendszerről (zárja a leválasztószelepet).
3. Győződjön meg arról, hogy nem tud további víz a tartályba jutni (állítsa le a szivattyút és / vagy bármilyen vezérlést).
4. Engedje ki a levegőt a tartályból, amíg 3 bar (44 psi) tartály / levegőnyomás nem marad.
5. Nyisson ki egy leeresztőszelepet, majd pedig nyissa ki a leválasztószelepet a tartály kiürítéséhez.

⚠ VIGYÁZAT: Győződjön meg arról, hogy a rendszernyomás soha nem alacsonyabb 4 barnál (58 psi) az előtöltés alatt. Ha a rendszernyomás csökkenteni kell, a tartályt le kell választani és ki kell üríteni az előzőleg leírtak szerint.

A GWS Korlátozott garanciára vonatkozó nyilatkozatát lásd az 66. oldalon kezdődő garancia szakaszban.

A CE Megfelelőségi nyilatkozatot lásd a 72. és a 73. oldalon.

Fig. 1-7

- 1 Tartály
- 2 Nyomásmérő
- 3 Szivattyú

- 4 Leeresztőszelep
- 5 Nyomásmérő / Tömegmérő / Nyomásszabályozó
- 6 Csatorna

- 7 Rugalmas csatlakozó
- 8 Vízhozam
- 9 Szivattyúból
- 10 Rendszerhez

Fig. 7

A **⚠** A fővezeték mérete megfelelő kell legyen a maximális sebesség biztosításához: 1,8m/sec (6ft/sec)
B **⚠** **MEGJEGYZÉS:** A tartályok előzetes feltöltési szintje egyforma kell legyen

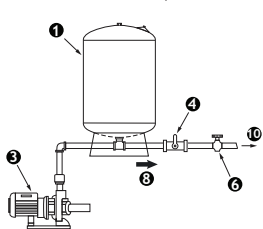


Fig. 5

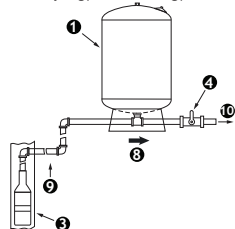


Fig. 6

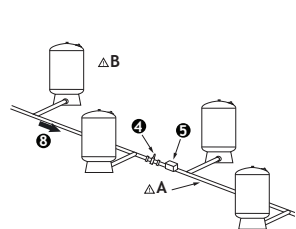


Fig. 7

INSTALAREA TREBUIE EFECTUATĂ ÎN CONFORMITATE CU CODURILE LOCALE ȘI NAȚIONALE PRIVIND LUCRĂRILE DE INSTALAȚII.

ATENȚIONĂRI ȘI AVERTISMENTE

⚠ ATENȚIE: Pentru a preveni rănirea persoanelor, asigurați-vă că toată presiunea apei este eliberată din sistemul de presiune înainte de a executa lucrarea. Asigurați-vă că pompele sunt deconectate și / sau izolate electric.

⚠ AVERTISMENT: Se recomandă insistent ca sistemul să fie protejat de o supapă de depresurizare adecvată reglată la sau sub capacitatea nominală maximă a rezervorului. Neinstalarea unei supape de depresurizare poate duce la explozia rezervorului în caz de defecțiuni sau la crearea de suprapresiune în sistem, ducând la pagube materiale, rănirea gravă a persoanelor sau deces.

⚠ AVERTISMENT: Dacă rezervorul de presiune prezintă scurgeri sau semne de coroziune sau deteriorare, nu îl folosiți.

Reglarea presiunii de preîncărcare

Este necesară preîncărcarea corectă pentru a obține performanța corespunzătoare a rezervorului.

1. Pentru rezervoarele instalate cu o pompă controlată de un comutator de presiune cu presiunea diferențială reglată până la 2 bar (30 psi), preîncărcarea trebuie reglată cu 0,2 bar (2 psi) sub presiunea de cuplare.
2. Pentru rezervoarele instalate cu o pompă controlată de un comutator de presiune cu o diferență de presiune mai mare de 2 bar (30psi), de un sistem de comandă electronic sau de un sistem de comandă ale vitezei variabile, preîncărcarea trebuie reglată la 65% din presiunea de decuplare sau din presiunea maximă a sistemului.
3. Pentru rezervoarele instalate pe conducta principală de presiune, preîncărcarea rezervorului trebuie reglată astfel încât să fie egală cu presiunea conductei principale. În cazul în care presiunea conductei principale depășește 6 bar (88 psi), trebuie instalat un regulator de presiune corespunzător.

Pentru funcționarea corectă, rezervoarele de presiune trebuie preîncărcate după cum urmează:

1. Opriti pompa, deconectați rezervorul de la sistem și lăsați să se scurgă toată apa din interiorul rezervorului pentru a evita ca presiunea apei să afecteze citirile preîncărcării.
2. Utilizând un manometru adecvat, verificați presiunea de

preîncărcare a rezervorului.

3. Eliberați sau adăugați aer după necesități pentru a ajunge la presiunea de preîncărcare necesară.
4. Remontați capacul supapei pneumatice și etanșați cu eticheta supapei pneumatice, dacă este furnizată. Acest lucru vă va permite să determinați dacă supapa a fost modificată în cazul viitoarelor apelări la service.
5. După setarea corectă a preîncărcării, nu mai sunt necesare verificări regulate ale presiunii aerului.

Nu verificați aerul după instalare.

⚠ ATENȚIE: Nu supraîncărcați niciodată rezervorul și preîncărcați rezervorul cu aer doar la temperatura ambiantă!

Dacă rezervorul va fi preîncărcat la o presiune de peste 4 bari (58 psi):

1. Reglați preîncărcarea rezervorului la 4 bari (58 psi).
2. Instalați rezervorul în sistem.
3. Umpleți sistemul cu apă pentru a egaliza sistemul și presiunea de preîncărcare la 4 bari (58 psi).
4. Măriți presiunea de preîncărcare în pași de maximum 3 bari (44 psi) și apoi reglați presiunea sistemului la noua presiune de preîncărcare umplând sistemul cu apă.
5. Repetați pașii 3 și 4 până la atingerea presiunii necesare de preîncărcare.

Golirea unui rezervor care are o presiune de preîncărcare de peste 4 bari (58 psi):

1. Asigurați-vă că există o anumită cantitate de apă în rezervor.
2. Izolați rezervorul de sistem (închideți supapa de izolare).
3. Asigurați-vă că nu va pătrunde apă suplimentară în rezervor (închideți pompa și / sau orice alimentare cu apă).
4. Eliberați aer din rezervor până când se ajunge la o presiune atmosferică / în rezervor de 3 bari (44 psi).
5. Deschideți o supapă de golire, iar apoi supapa de izolare pentru a goli rezervorul.

⚠ ATENȚIE: Asigurați-vă că presiunea sistemului nu scade niciodată cu mai mult de 4 bari (58 psi) sub presiunea de preîncărcare. Dacă presiunea sistemului trebuie coborâtă, rezervorul trebuie izolat sau golit în modul descris anterior.

Pentru declarația privind Garanția Limitată GWS, vă rugăm să consultați secțiunea de Garanție care începe la pagina 66.

Pentru Declarația de Conformitate CE, vă rugăm să consultați paginile 72 și 73.

Fig. 1-7

- 1 Rezervor
- 2 Manometru
- 3 Pompă

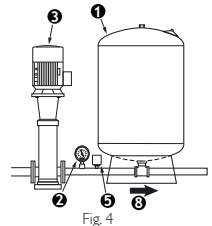
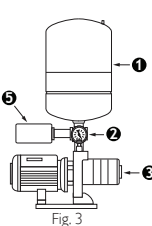
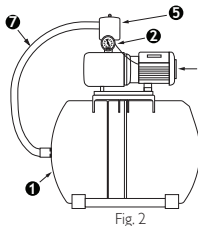
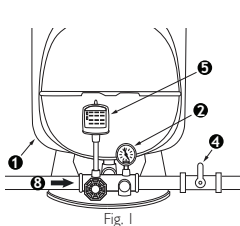
- 4 Supapă de depresurizare
- 5 Convertizor / Senzor de debit / Comutator de presiune
- 6 Scurgere

- 7 Racord flexibil
- 8 Debit de apă
- 9 De la pompa
- 10 Către sistem

Fig. 7

⚠ Colectorul trebuie dimensionat pentru viteza maximă de 1,8m/sec (6ft/sec)

B **NOTĂ:** Toate rezervoarele trebuie să aibă preîncărcarea egală



МОНТАЖЪТ ТРЯБВА ДА СЕ ИЗВЪРШИ В СЪОТВЕТСТВИЕ С МЕСТНИТЕ И ДЪРЖАВНИТЕ НОРМИ И ПРАВИЛА ЗА ВОДОСНАБДЯВАНЕ.

ВНИМАНИЕ И ПРЕДУПРЕЖДЕНИЯ

⚠ ВНИМАНИЕ: За да се предотврати нараняването на хора, проверете дали водата под налягане е изпусната от системата под налягане, преди извършването на изпитието и да било дейности. Проверете дали помпите са изключени и / или изолирани от електрическото захранване.

⚠ ПРЕДУПРЕЖДЕНИЕ: Системата трябва да бъде защитена чрез подходящ предпазен вентил, поставен на или под максималното номинално налягане на разширителния съд. Ако не бъде инсталиран предпазен вентил, това може да доведе до експлозия на разширителния съд в случай на неизправност на системата или сръвъх херметизация и в резултат да се причинят имуществени щети, сериозно нараняване на хора или смърт.

⚠ ПРЕДУПРЕЖДЕНИЕ: Ако съдът под налягане има течове или се забелязват признаци на корозия или повреда, не го използвайте.

Регулиране на налягането преди напълването

Необходимо е правилно предварително напompване с въздух за правилното функциониране на разширителния съд.

1. За разширителни съдове, инсталирани с помпа, контролирана с пресостат, с диференциално налягане настроено до 2 bar (30 psi), предварителното напompване трябва да бъде на 0,2 bar (2 psi) под налягането за включване.
2. За разширителни съдове, инсталирани с помпа, контролирана с пресостат, с диференциално налягане по-голямо от 2 bar (30 psi), електронно управление или управление с променлива скорост, предварителното напompване трябва да бъде на 65% от налягането за изключване или максималното налягане на системата. За разширителни съдове, инсталирани на главния водопровод, предварителното напompване на съда трябва да бъде такова, че да е равно на основното налягане. За основно налягане надвишаващо 6 bar (88 psi), трябва да се инсталира подходящ регулатор на налягането.

За правилна експлоатация, разширителните съдове трябва да се напompват предварително с въздух по следния начин:

1. Изключете помпата, отделете съда от системата и напълно изотчете водата от него, за да се избегне налягането на водата да повлияе на отчитането на налягането на въздуха при напompването.
2. Чрез подходящ манометър проверете налягането на предварителното напompване на съда.

- 4 Предпазен вентил
- 5 Трансмисер за налягане / Датчик за потока / Пресостат
- 6 Изпускателен отвор

- 7 Гъвкаво съединение
- 8 Поток на водата
- 9 От помпата
- 10 Към системата

Fig. 1-7

⚠ Тръбата трябва да е калибрована за максимална скорост от 1,8 m/sec (6ft/sec)

⚠ В ЗАБЕЛЕЖКА: Всички разширителни съдове трябва да са с еднакво налягане на въздуха.

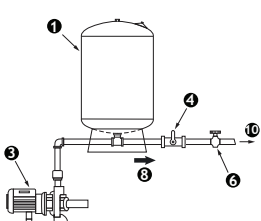


Fig. 5

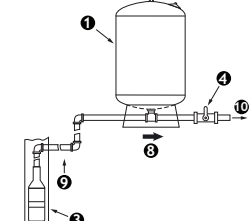


Fig. 6

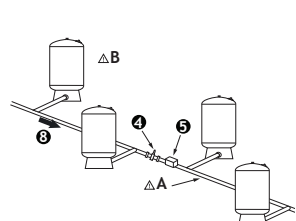


Fig. 7

3. Изпуснете или допълнете въздух, в зависимост от това какво е необходимо, за да регулирате желаното налягане на предварителното напompване.
 4. Поставете капачката на предпазния въздушен вентил и я запечатайте със стикера на въздушния вентил ако има такъв. Той ще ви позволи да установите дали вентилът е бил отворен при бъдещи повишавания за сервис.
 5. След правилното напompване на съда, не се изкушават редовни проверки на налягането на въздуха.
- ⚠ Не проверявайте въздуха след инсталирането.**

⚠ ВНИМАНИЕ: Никога не пренапompвайте съда и извършвайте предварително напompване само с въздух с температурата на околната среда!

Ако съдът бъде предварително напompан до повече от 4 bar (58 psi):

1. Регулирайте налягането на предварително напompване на 4 bar (58 psi).
2. Монтирайте съда в системата.
3. Напълнете системата с вода, за да изравните налягането на системата с това на предварителното напompване до 4 bar (58 psi).
4. Увеличавайте налягането на предварително напompване на стъпки от максимално 3 bar (44 psi) и след това регулирайте налягането на системата до новото налягане на предварително напompване чрез пълнене на вода в системата.
5. Повтаряйте стъпки 3 и 4, докато бъдат достигнато необходимото налягане на предварително напompване.

Изправване на съд, който е предварително напompан с повече от 4 bar (58 psi):

1. Уверете се, че в съда има вода.
2. Изолирайте съда от системата (затворете изолиращия вентил).
3. Погрижете се да не бъде възможно влизане на допълнителна вода в съда (изключете помпата и / или всяко друго водоподаване).
4. Изпускате въздух от съда, докато налягането в съда / на въздуха стане 3 bar (44 psi).
5. Отворете вентила за източване и след това изолиращия вентил, за да изотчите съда.

⚠ ВНИМАНИЕ: Преди да извършите предварително зареждане се уверете, че налягането на системата не става никога по-ниско от 4 bar (58 psi). Ако налягането на системата трябва да бъде намалено, съдът трябва да бъде изолиран или изправен, както беше описано по-рано.

Информация за ограничена гаранция на GWS можете да видите в раздела за гаранцията на страницата 86.

ЕО декларация за съответствие можете да видите на страници 72 и 73.

Η ΕΓΚΑΤΑΣΤΑΣΗ ΠΡΕΠΕΙ ΝΑ ΣΥΜΦΩΝΕΙ ΜΕ ΤΟΥΣ ΤΟΠΙΚΟΥΣ ΚΑΙ ΕΘΝΙΚΟΥΣ ΚΑΝΟΝΙΣΜΟΥΣ ΥΔΡΑΥΛΙΚΩΝ ΕΡΓΑΣΙΩΝ.

ΜΕΤΡΑ ΠΡΟΦΥΛΑΞΗΣ ΚΑΙ ΠΡΟΕΙΔΟΠΟΙΗΣΕΙΣ

Δ ΠΡΟΣΟΧΗ: Για την αποφυγή προσωπικού τραυματισμού, πριν από την εκτέλεση εργασιών βεβαιωθείτε ότι όλη η πίεση του νερού έχει εκτονωθεί από το σύστημα. Βεβαιωθείτε ότι οι αντλίες είναι αποσυνδεδεμένες ή / και ηλεκτρικώς απομονωμένες.

Δ ΠΡΟΕΙΔΟΠΟΙΗΣΗ: Συνιστάται το σύστημα να προστατεύεται με κατάλληλη ανακουφιστική βαλβίδα πίεσης (βαλβίδα ασφαλείας) ρυθμισμένη στην, ή κάτω από την, μέγιστη πίεση λειτουργίας του πνευματικού δοχείου. Αν δεν υπάρχει εγκατεστημένη ανακουφιστική βαλβίδα τότε το πνευματικό δοχείο μπορεί να εκραγεί σε περίπτωση δυσλειτουργίας του συστήματος ή υπέρτασης, προκαλώντας υλικές ζημιές, σοβαρό προσωπικό τραυματισμό ή θάνατο.

Δ ΠΡΟΕΙΔΟΠΟΙΗΣΗ: Αν υπάρχει διαρροή στο πνευματικό δοχείο ή αν υπάρχουν σημάδια διάβρωσης ή ζημιάς, μην το χρησιμοποιείτε.

Ρύθμιση πίεσης αέρα

Απαιτείται η σωστή ρύθμιση της πίεσης του αέρα για τη σωστή απόδοση του πνευματικού δοχείου.

1. Τα πνευματικά δοχεία που συνεργάζονται με αντλία ελεγχόμενη από πιεσοστάτη με διαφορική πίεση ρυθμισμένη έως 2 bar (30 psi), η πίεση του αέρα πρέπει να ρυθμίζεται 0,2 bar (2 psi) κάτω από την πίεση ενεργοποίησης της αντλίας.
2. Τα πνευματικά δοχεία που συνεργάζονται με αντλία ελεγχόμενη από πιεσοστάτη με διαφορική πίεση πάνω από 2 bar (30 psi), από ηλεκτρονικές μονάδες ελέγχου ή από μονάδες μεταβλητής ταχύτητας, η πίεση του αέρα πρέπει να ρυθμίζεται στο 65% της πίεσης διακοπής ή της μέγιστης πίεσης συστήματος.
3. Δοχεία που είναι εγκατεστημένα σε δίκτυα υπό πίεση, η πίεση του αέρα πρέπει να είναι ίση με την πίεση του δικτύου. Σε περίπτωση πίεσης δικτύου που υπερβαίνει τα 6 bar (88 psi), πρέπει να τοποθετείται κατάλληλος ρυθμιστής πίεσης.

Για τη σωστή λειτουργία τους, η πίεση του αέρα στα πνευματικά δοχεία πρέπει να ρυθμίζεται ως εξής:

1. Απενεργοποιήστε την αντλία, απομονώστε το πνευματικό δοχείο από το σύστημα και αποστραγγίστε πλήρως όλο το νερό από το εσωτερικό του ώστε η πίεση του νερού να μην επηρεάζει τις ενδείξεις πίεσης του αέρα.
2. Χρησιμοποιώντας ένα κατάλληλο πιστόλι με μανόμετρο, ελέγξτε την πίεση του αέρα στο πνευματικό δοχείο.
3. Προσθέστε ή αφαιρέστε αέρα ως απαιτείται, για τη ρύθμιση του αέρα στην απαιτούμενη πίεση.

4. Επανατοποθετήστε την προστατευτική τάπα της βαλβίδας αέρα και σφραγίστε την με την ετικέτα της βαλβίδας αέρα, εάν παρέχεται. Έτσι, θα μπορούσε να προσδιοριστεί αν η βαλβίδα έχει παραβιαστεί στην περίπτωση μελλοντικών κλήσεων για έλεγχο.
5. Αφού ρυθμίσετε σωστά την πίεση του αέρα, δεν απαιτούνται τακτικοί έλεγχοι της.

Μην ελεγκτείτε τον αέρα μετά την αρχική ρύθμιση και εγκατάσταση.

Δ ΠΡΟΣΟΧΗ: Μην υπερπιέζετε ποτέ το πνευματικό δοχείο, ενώ η πίεση του αέρα πρέπει να ρυθμίζεται μόνο με τον αέρα σε θερμοκρασία περιβάλλοντος!

Εάν η ρύθμιση της πίεσης του αέρα στο πνευματικό δοχείο είναι πάνω από 4 bar (58 psi):

1. Ρυθμίστε την πίεση του αέρα στο πνευματικό δοχείο κατά 4 bar (58 psi).
2. Τοποθετήστε το πνευματικό δοχείο στο σύστημα.
3. Γεμίστε το σύστημα με νερό για να εξισορροπήσετε το σύστημα και ρυθμίστε την πίεση του αέρα κατά 4 bar (58 psi).
4. Αιχμίστε την πίεση ρύθμισης του αέρα το πολύ στα 3 bar (44 psi) σταδιακά και μετά ρυθμίστε την πίεση του συστήματος στην νέα πίεση ρύθμισης του αέρα συμπληρώνοντας νερό μέσα στο σύστημα.
5. Επαναλάβετε τα βήματα 3 και 4 μέχρι να επιτευχθεί η απαιτούμενη πίεση.

Άδειασμα ενός πνευματικού δοχείου που έχει μία πίεση αέρα πάνω από 4 bar (58 psi):

1. Βεβαιωθείτε ότι υπάρχει μία ποσότητα νερού μέσα στο πνευματικό δοχείο.
2. Απομονώστε το πνευματικό δοχείο από το σύστημα (κλείστε την βαλβίδα απομόνωσης).
3. Βεβαιωθείτε ότι δεν μπορεί να εισέλθει πρόσθετη ποσότητα νερού μέσα στο πνευματικό δοχείο (κλείστε την αντλία και / ή τυχόν παροχή νερού).
4. Ελευθερώστε τον αέρα από το πνευματικό δοχείο μέχρι να μείνουν 3 bar (44 psi) στο πνευματικό δοχείο / πίεση αέρα.
5. Ανοίξτε μία βαλβίδα αποστράγγισης και μετά την βαλβίδα απομόνωσης για να αποστραγγίσετε το πνευματικό δοχείο.

Δ ΠΡΟΣΟΧΗ: Βεβαιωθείτε ότι η πίεση του συστήματος δεν είναι ποτέ μικρότερη από 4 bar (58 psi) κάτω από την ρύθμιση πίεσης του αέρα. Εάν πρέπει να μειωθεί η πίεση του συστήματος, θα πρέπει να απομονωθεί ή να αδειαστεί το πνευματικό δοχείο όπως περιγράφηκε προηγουμένως.

Για την δήλωση των όρων εγγύησης της GWS, σας παρακαλούμε να συμβουλευθείτε την ενότητα της εγγύησης που ξεκινάει στην σελίδα 66.

Για την δήλωση συμμόρφωσης CE, σας παρακαλούμε να συμβουλευθείτε τις σελίδες 72 και 73.

Fig. 1-7

- 1 Δοχείο
- 2 Μανόμετρο
- 3 Αντλία

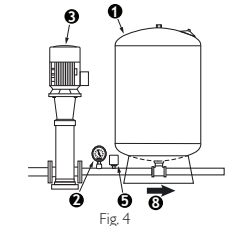
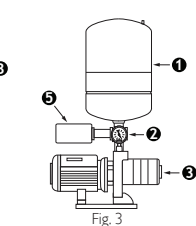
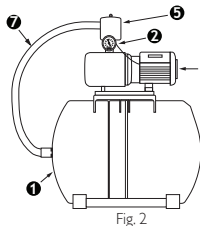
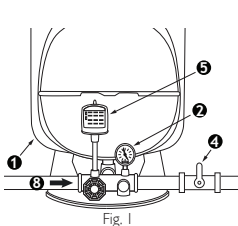
- 4 Βαλβίδα ασφαλείας
- 5 Μεταδότης πίεσης / Αισθητήρας ροής / Πιεσοστάτης
- 6 Αποστράγγιση

- 7 Εύκαμπτος σύνδεσμος
- 8 Ροή νερού
- 9 Από αντλία
- 10 Προς καταναλωτές

Fig. 7

A Δ: Ο συλλέκτης πρέπει να διαστασιολογείται για μέγιστη ταχύτητα ροής 1,8 m/sec (6 ft/sec)

B Δ ΣΗΜΕΙΩΣΗ: Όλα τα πνευματικά δοχεία πρέπει να έχουν την ίδια ρύθμιση πίεσης αέρα.



KURULUM, YEREL VE ULUSAL SU TESİSATI KURALLARINA GÖRE YAPILMALIDIR.

DİKKAT VE UYARILAR

⚠ DİKKAT: Yaralanmayı önlemek için, çalışma yapılmadan önce tüm su basıncı, sistemden çıkarılmalıdır. Pompanın kapalı olduğundan ve / veya elektrik bağlantısının olmadığından emin olun.

⚠ UYARI: Sistemin, maksimum tank basınç oranına veya bu oranın altına ayarlanan uygun bir emniyet valfi tarafından korunması şiddetle önerilir. Emniyet valfinin takılmaması, sistemin arızalanması ya da aşırı basınç durumunda tankın patlamasına yol açarak, maddi zarar, ciddi yaralanma ya da ölüme neden olabilir.

⚠ UYARI: Basıncılı tankı hava sızdırırsa ya da korozyon veya hasar belirtileri gösterirse kullanmayın.

Önbasınç Ayarlaması

Optimum tank performansını için önbasınç doğru olması gerekir.

1. Basınç farkı en fazla 2 bar (30 psi) olarak ayarlandığı ve basınç şalterleriyle kontrol edilen bir pompanın takılı olduğu sistemler için tankın önbasınç, pompanın devreye girme basıncının 0,2 bar (2 psi) altında olacak şekilde ayarlanmalıdır.
2. Basınç farkı 2 bardan (30 psi) daha büyük ise ve sistem basıncı bir basınç şalteri, elektronik kontrol veya değişken hız kontrol cihazı tarafından kontrol ediliyorsa tanking tankın önbasıncını, pompanın devreden çıkma ya da maksimum sistem basıncının %65'ine ayarlanmalıdır.
3. Direk şebekeye bağlanan tanklar için önbasınç, şebeke basıncına eşit olacak şekilde ayarlanmalıdır. 6 barı (88 psi) aşan şebeke basıncı için uygun bir basınç düzenleyici valf takılmalıdır.

Tankların doğru çalışması için önbasınç aşağıdaki şekilde önceden ayarlanmalıdır:

1. Pompayı kapatın, tankı sistemden ayırın ve önbasınç değerlerini etkilemesini önlemek için tüm suyu tanktan tamamen boşaltın.
2. Uygun bir basınçölçer (manometre) kullanarak tankın önbasıncını ölçün.
3. Gereken önbasınç ayarlamak için gerekiyorsa hava ekleyin ya da tahliye edin.

4. Hava valfini kapağını değiştirin ve eğer mevcut ise hava valfi etiketi ile kapatın. Bu, gelecekteki servis işlemlerinde valfin kuralanıp kuralanmadığını tespit etmenize yardımcı olacaktır.

5. Kullanım öncesi basınç doğru şekilde ayarlandıktan sonra düzenli hava dolum kontrolü gerekir.

Kurulum sonrasında havayı kontrol etmeyin.

⚠ DİKKAT: Tankta hiçbir zaman gerektiğinden fazla hava yüklemeyin ve sadece ortam ısısında yükleyin!

Eğer tankın önbasıncının 4 bar (58 psi) üzerinde olması gerekiyorsa:

1. Tankın önbasıncını 4 bar (58 psi) olarak ayarlayın.
2. Tankı sisteme kurun.
3. Sistemi eşitlemek için sistemi su ile doldurun ve önbasıncı 4 bar (58 psi) olarak ayarlayın.
4. Önbasınç basıncını maksimum 3 bar (44 psi) basamaklarla yükseltin ve daha sonra sisteme su doldurarak sistem basıncını, yeni önbasınç basıncına ayarlayın.
5. Gereken önbasınca ulaşılan kadar 3. ve 4. basamakları tekrarlayın.

4 bar (58 psi) üzerinde önbasınca sahip bir tankın boşaltılması:

1. Tankın içerisinde biraz su bulunduğundan emin olun.
2. Tankı sistemden izole edin (izolasyon valfini kapatın).
3. Tankın içerisinde herhangi bir ilave suyun giremeyeceğinden emin olun (pompayı ve / veya herhangi başka bir su ikmalini kapatın).
4. 3 bar (44 psi) tank / hava basıncı kalana kadar tanktan hava salınımını sağlayın.
5. Tankı boşaltmak için boşaltma valfi ile sonradan izolasyon valfini açın.

⚠ DİKKAT: Sistem basıncı hiçbir zaman için tankın önbasıncın 4 bar (58 psi) ve fazlası altına düşmemeli. Eğer sistem basıncının düşürülmesi gerekirse, daha önce tanımlandığı şekilde tankın izole edilmesi veya boşaltılması gerekmektedir.

GWS'nin Sınırlı Garanti Beyannamesi için lütfen 66. sayfadan başlayan garanti bölümüne bakınız.

CE Uygunluk Beyanı için lütfen 72. ve 73. sayfalara bakınız.

Fig. 1-7

- 1 Tank
- 2 Manometre
- 3 Pompa

- 4 Emniyet Valfi
- 5 Transdüser / Akış Sensörü / Basınç Şalteri
- 6 Drenaj

- 7 Esnek Konektör
- 8 Su Akışı
- 9 Pompadan
- 10 Sisteme

Fig. 7

A Δ 1,8 m/sn (6 ft/sn) maksimum hız için boyutlandırılmış

B Δ NOT: Tüm tanklar eşit önbasınca sahip olmalı

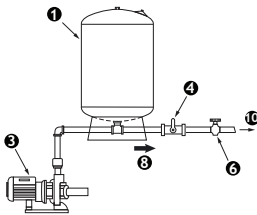


Fig. 5

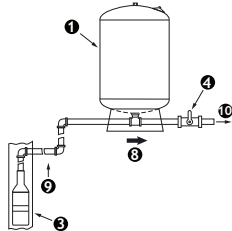


Fig. 6

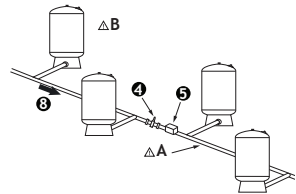


Fig. 7

يجب أن يكون التركيب وفقاً لقوانين الدولة أو القوانين المحلية.

تنبيه وتحذير

⚠ تنبيه: لمنع الإصابة الشخصية، تأكد من أن كل الضغط المائي قد تم تنقيسه من جهاز الضغط قبل بدء العمل. تأكد من أن المضخات قد تم فصلها وإزالتها كهربائياً.

⚠ تحذير: نوصي بشدة أن تتم حماية الجهاز بمجموعة صمامات تنقيس ضغط ملائمة في أو أسفل التقدير الأعلى لضغط الصهرج. الإخفاق في تركيب صمام تنقيس قد ينتج عنه انفجار الصهرج في حالة عطل الجهاز أو الضغط فوق الحد الأقصى حيث ينتج عن ذلك ضرر الممتلكات وإصابات شخصية خطيرة أو وفاة.

⚠ تحذير: إذا حدث تسرب في صهرج الضغط أو ظهرت عليه علامات تآكل أو ضرر، لا تستخدمه.

ضبط ضغط التعبئة المسبقة

التعبئة المسبقة مطلوبة من أجل الأداء الصحيح للصهرج.

1. الصهارج التي يتم تثبيتها مع مضخة يتم التحكم فيها بمفتاح ضغط تفاوتي ويتم ضبطها لغاية 03 به اس اي (0.2 بار)، يجب ضبط التعبئة المسبقة في 2 به اس اي (2.0 بار) أقل من الضغط المنخفض.
2. بالنسبة للصهارج التي تم تثبيتها مع مضخة يتم التحكم عليها بمفتاح ضغط مع ضغط تفاوتي أكثر من 03 به اس اي (0.2 بار) أو ضوابط الكترونية أو ضوابط سرعة متفاوتة، يجب ضبط التعبئة المسبقة في 56% من الحد الأقصى لضغط الجهاز.

3. بالنسبة للصهارج التي تم تثبيتها على الضغط الرئيسي، يجب ضبط التعبئة المسبقة للصهرج بشكل متساو مع الضغط الرئيسي. بالنسبة للضغط الرئيسي الذي يتجاوز 88 به اس اي (6 بار)، يجب تركيب منظم ضغط مناسب.

للتشغيل الصحيح، صهارج الضبط يجب تعبئتها مسبقاً كما يلي:

1. أوقف المضخة وافصل الصهرج عن النظام وفرغ كل المياه التي في داخل الصهرج لتفادي تأثير ضغط المياه على قراءات التعبئة المسبقة.
2. افحص ضغط التعبئة المسبقة في الصهرج باستخدام مقياس ضغط مناسب.
3. فرغ أو أضف هواء كما هو ضروري للتكيف مع ضغط التعبئة المسبقة المطلوبة.
4. استبدل غطاء صمام الهواء الوالتي وأحكم سده مستعيناً في ذلك بملصق

Fig. 1-7

1 صهرج
2 مقياس الضغط
3 مضخة

4 صمام تنقيس
5 محول الطاقة / مستشعر التنفق / مفتح
الضغط
6 مجرى

Fig. 7

⚠ تعديل حجم الرأس للحصول على أقصى سرعة قدرها 8.1 الم/الثانية (6 قدم / الثانية)
⚠ ملاحظة: يجب أن يكون لكافة الصهارج تعبئة مسبقة متساوية

صمام الهواء في حالة تزويده، سيمكثك ذلك من تحديد ما إذا كان الصمام قد تم العبث به في حالة طلب الخدمة في المستقبل.

5. بعد ضبط التعبئة المسبقة، لا تكون المراجعة العادية لتعبئة الهواء مطلوبة. لا تفحص الهواء بعد التركيب.

تنبيه: لا تقم بتعبئة الصهرج فوق سعته وقم بتعبئته مسبقاً بالهواء عند درجة الحرارة المحيطة فقط!

في حالة التعبئة المسبقة للصهرج بضغط يزيد عن 4 بار (85 رطل للبوصة المربعة):

1. اضبط التعبئة المسبقة للصهرج على ضغط 4 بار (85 رطل للبوصة المربعة).
2. قم بتركيب الصهرج في النظام.
3. املا النظام بالماء لمعادلته وحيث يصل ضغط التعبئة المسبقة إلى 4 بار (85 رطل للبوصة المربعة).
4. قم بزيادة ضغط التعبئة المسبقة بزيادة تدريجية تصل إلى 3 بار (44 رطل للبوصة المربعة) كحد أقصى وقم بعد ذلك بضبط ضغط النظام على ضغط التعبئة المسبقة الجديد عن طريق ملء النظام بالماء.
5. كرر الخطوات 3 و 4 حتى تصل إلى التعبئة المسبقة المطلوبة.

خطوات تفريغ صهرج يزيد ضغط التعبئة المسبقة فيه عن 4 بار (85 رطل للبوصة المربعة):

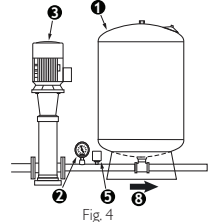
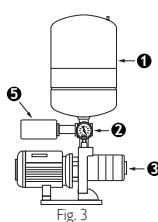
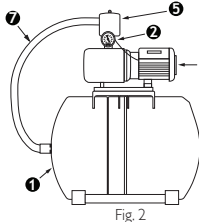
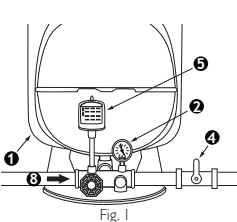
1. تأكد من وجود بعض المياه في الصهرج.
2. افصل الصهرج عن النظام (أغلق صمام الفصل).
3. تأكد من عدم دخول أي كميات إضافية من المياه إلى الصهرج (أوقف تشغيل المضخة و/أو مصدر إمداد المياه).
4. حرر الهواء من الصهرج حتى يصل ضغط الهواء/الصهرج المتبقي إلى 3 بار (44 رطل للبوصة المربعة).
5. افتح صمام التصريف وصمام الفصل بعد ذلك ليتم تصريف الصهرج.

⚠ تنبيه: تأكد من عدم انخفاض ضغط النظام عن 4 بار (85 رطل للبوصة المربعة) عند التعبئة المسبقة. إذا كان من الضروري خفض الضغط في النظام، فينبغي فصل الصهرج أو تفرغه كما هو موضح مسبقاً.

الرجاء الرجوع إلى قسم الضمان بداية من صفحة 66 للتعرف على بيان الضمان المحدود الخاص بشركة SWG.

الرجاء الرجوع إلى الصفحتين 27 37 للتعرف على بيان مطابقة النظام للمواصفات الأوروبية "CE".

7 وصلة مرنة
8 تدفق الماء
9 من المضخة
10 للجهاز



स्थापना स्थानीय और राज्य नलसाजी नियमों के अनुसार होनी चाहिए।

सावधानियाँ और चेतावनियाँ

▲ **सावधानी:** खुद को चोट लगने से बचाने के लिए, सुनश्चिति करें कि कामों किए जाने से पहले चाप परणाली से पानी का सभी चाप निकास दिया गया है। सुनश्चिति करें कि पंप हटा दिए गए हैं और/या बजली का कनेक्शन हटा दिया गया है।

▲ **चेतावनी:** इस बात की जोरदार सफिराशि की जाती है कि परणाली को उपयुक्त चाप रिलीफ वाल्व को अधिकतम टैंक चाप रेटिंग पर या उससे नीचे नरिधारित करके सुरक्षित किया जाए। रिलीफ वाल्व स्थापित करने में वफिल रहने पर परणाली को खराबी या अंधिकि चाप की स्थिति में टैंक में वसिफोट हो सकता है, जिसके परिणामस्वरूप सपतता का नुकसान हो सकता है, खुद को गंभीर चोट लग सकती है या मृत्यु भी हो सकती है।

▲ **चेतावनी:** अगर चाप टैंक में रसिाव होता है या इसमें क्षरण या कवतल के चहिन दिखाई देते हैं, तो उसका इस्तेमाल न करें।

पूरव-चारज दाब समायोजित करना

टैंक की उवति कार्यक्षमता के लिए सही पूरव-चारज की जरूरत है।

- 2 बार (30 psi) वभिदक चाप पर नरिधारित किए गए चाप सवचि नयितरति पप के साथ स्थापित टैंक के लिए, पूरव-चारज 0.2 बार (2 psi) पर नरिधारित किया जाना चाहिए।
- 2 बार (30 psi) वभिदक चाप, इलेक्ट्रॉनिक नयितरण या चर गत नयितरण से अंधिकि पर नरिधारित किए गए चाप सवचि नयितरति पप के साथ स्थापित टैंक के लिए, पूरव-चारज कट आउट या अंधिकितम परणाली चाप के 65% पर नरिधारित किया जाना चाहिए।
- मुख्य चाप पर स्थापित टैंक के लिए, टैंक पूरव-चारज मुख्य चाप के बराबर नरिधारित किया जाना चाहिए। 6 बार (88 psi) से अंधिकि मुख्य चाप के लिए, उपयुक्त चाप रेगुलेटर स्थापित किया जाना चाहिए।

सही संचालन के लिए, चाप टैंक को इस प्रकार पूरव-चारज किया जाना चाहिए:

- पंप बंद कर दें, परणाली से टैंक डिसकनेक्ट कर दें और पानी के चाप से पूरव-चारज की रीडिंग को परभावित होने से बचाने के लिए टैंक के अंदर का सारा पानी पूरी तरह से बाहर निकाल दें।
- किसी उपयुक्त दबाव नापने वाले यंत्र का उपयोग करते हुए, टैंक की पूरव-चारज दाब की जांच करें।
- अपेक्षित पूरव-चारज चाप समायोजित करने के लिए जरूरत

के अनुसार हवा निकालें या भरें।

- सुरक्षितमक हवा वाल्व कैप हटाएं और हवा वाल्व लेवल के साथ सील कर दें, यदा यह उपलब्ध कराए गए हैं। इससे आप भवुषिय में सेवा के लिए काल के मामले में यह तय कर सकेंगे कि क्या वाल्व के साथ छेड़छाड़ की गई है।
- पूरव-चारज सही ढंग से स्थापित करने के बाद, हवा चाप की किसी नयिमति जाच की जरूरत नहीं है।

स्थापना के बाद हवा की जांच मत करें।

▲ **सावधानी:** टैंक को कभी भी अंधिकि चारज मत करें और टैंक को केवल हवा के साथ परविश के तापमान के पर पूरव-चारज करें।

यदा टैंक को 4 बार (58 psi) पर पूरव-चारज किया जाना है:

- टैंक के पूरव-चारज को 4 बार (58 psi) पर समायोजित करें।
- टैंक को परणाली में स्थापित करें।
- परणाली और पूरव-चारज दाब को 4 बार (58 psi) पर बराबर करने के लिए परणाली में पानी भरें।
- पूरव-चारज दाब को अधिकतम 3 बार (44 psi) के चरणों में बढ़ाएं और बाद में परणाली में पानी भरने के दवापर परणाली के दाब को नए पूरव-चारज दाब के साथ समायोजित करें।
- जब तक आवशुयके पूरव-चारज तक नहीं पहुंच जाते, चरण 3 और 4 दोहराएं।

4 बार (58 psi) से ऊपर के पूरव-चारज वाले टैंक को खाली करना।

- सुनश्चिति करें कि टैंक में कुछ पानी है।
- टैंक को परणाली से अलग कर दें (अलगाव वाल्व बंद कर दें)।
- सुनश्चिति करें कि कोई भी अतरिकित पानी टैंक में नहीं जा सकता है (पंप और/या किसी भी पानी की आपूर्ति को बंद कर दें)।
- टैंक से हवा निकालें जब तक 3 बार (44 psi) टैंक/हवा दाब शेष नहीं रह जाता है।
- टैंक को खाली करने के लिए निकासी वाल्व और फरि अलगाव वाल्व को खोलें।

▲ **सावधानी:** सुनश्चिति करें कि परणाली का दाब कभी भी पूरव-चारज से नीचे 4 बार (58 psi) से कम न हो। यदा परणाली दाब को कम किए जाने की जरूरत हो, तो टैंक को पहले वरणाति किए गए अनुसार अलग किया जाना चाहिए या खाली किया जाना चाहिए।

GWS सीमति वारंटी बयान के लिए, कृपा पृष्ठ 66 से शुरू हो रहे वारंटी अनुभाग को देखें।

CE अनुपता की घोषणा के लिए, पृष्ठ 72 और 73 देखें।

Fig. 1-7

- टैंक
- चाप जेज
- पंप

④ रिलीफ वाल्व

⑤ ट्रांसड्यूसर परवाह संवेदक चाप सवचि

⑥ नाली

⑦ लचीला कनेक्टर

⑧ जल परवाह

⑨ पंप से

⑩ परणाली को

Fig. 7

▲ **हैडर** का आकार अधिकतम गति के लिए होना चाहिए 1.8मी./से. (6फुट/से.)

▲ **नोट:** सभी टैंक बराबर पूरव-चारज होने चाहिए

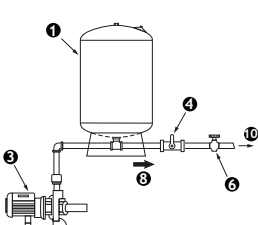


Fig. 5

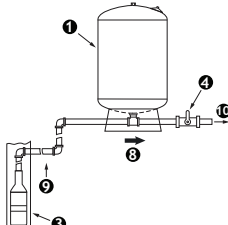


Fig. 6

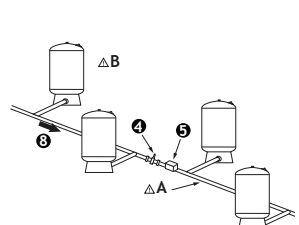


Fig. 7

คู่มือการติดตั้งและการใช้งาน

การติดตั้งต้องเป็นไปตามระเบียบข้อบังคับของระบบท่อประปาของท้องถิ่นและของรัฐ

ข้อควรระวังและค่าเตือน

- ⚠ **ข้อควรระวัง:** โปรดตรวจสอบให้มั่นใจว่าแรงดันน้ำที่หมดอายุครบอายุออกจากระบบแรงดันก่อนเริ่มปฏิบัติงานและตรวจสอบให้แน่ใจว่าได้ตัดการเชื่อมต่อของน้ำ และ/หรือ ตัดออกจากรงรับไฟฟ้า เพื่อเป็นการป้องกันไม่ให้ผู้ได้รับบาดเจ็บ
- ⚠ **ค่าเตือน:** เราขอแนะนำให้มีการป้องกันระบบโดยติดตั้งสินระบายแรงดันโดยตั้งค่าไว้ไม่เกินค่าแรงดันสูงสุด การละเลยไม่ติดตั้งสินระบายแรงดันอาจส่งผลให้ถังระเบิดในกรณีที่ระบบทำงานผิดพลาด หรือระดับแรงดันสูงเกิน อันจะส่งผลให้ทรัพย์สินได้รับความเสียหาย มีผู้ได้รับบาดเจ็บอย่างรุนแรง หรืออาจถึงขั้นเสียชีวิต
- ⚠ **ค่าเตือน:** ในกรณีที่ถังแรงดันเกิดการรั่วหรือทำงานสามารถสังเกตเห็นการร่อน หรือความเสียหาย ให้หยุดการใช้งานถังดังกล่าว

การปรับแรงดัน

ค่าแรงดันที่ถูกต้องถือเป็นสิ่งจำเป็นสำหรับประสิทธิภาพการทำงานของถังที่เหมาะสม

1. สำหรับถังที่ติดตั้งมาพร้อมปั๊มควบคุมสวิตซ์แรงดัน โดยตั้งค่าความดันค้างไว้ที่ 2 บาร์ (30 psi) ควรตั้งค่าแรงดันไว้ที่ 0.2 บาร์ (2 psi) ซึ่งค่าความแรงดันคืออิน
2. สำหรับถังที่ติดตั้งมาพร้อมกับควบคุมด้วยสวิตซ์แรงดันที่มีค่าความดันตั้งมากกว่า 1.4 บาร์ (20 psi) ควบคุมด้วยระบบควบคุมอิเล็กทรอนิกส์ หรือระบบควบคุมความเร็วแบบปรับความเร็วจึงควรตั้งค่าแรงดันไว้ที่ 65% ของแรงดันสวิตซ์หรือแรงดันระบบสูงสุด
3. สำหรับถังที่ติดตั้งกับแรงดันหลัก ค่าแรงดันของถังควรเท่ากับค่าแรงดันหลัก สำหรับแรงดันหลักที่มีค่าเกินกว่า 6 บาร์ (88 psi) ควรติดตั้งตัวควบคุมค่าความดัน

เพื่อการดำเนินงานที่เหมาะสม ให้ตั้งค่าแรงดันสำหรับถังแรงดันโดยปฏิบัติตามนี้:

1. ปิดน้ำ ตัดการเชื่อมต่อของถังออกจากระบบและระบายน้ำที่อยู่ในถังออกให้หมดเพื่อไม่ให้แรงดันน้ำมีผลต่อการอ่านค่าแรงดัน
2. ใช้เกจวัดความดันที่เหมาะสม ตรวจสอบความดันที่บรรจุมาก่อนของถัง
3. เพิ่มหรือลดอากาศตามความจำเป็นเพื่อปรับแรงดันให้ได้

4. เปลี่ยนตัวครอบฝาว่าลวมและปิดผนึกด้วย อากาศ ว่าลวมถ้ามี สิ่งนี้จะทำให้ท่านสามารถตรวจสอบได้ว่าว่าลวมได้ถูกตัดแปลงหรือไม่เพื่อการให้บริการในอนาคต
5. หลังจากตั้งค่าแรงดันเรียบร้อยแล้ว ท่านไม่จำเป็นต้องทำการตรวจสอบผลเป็นระยะๆ

อย่าตรวจสอบผลหลังการติดตั้ง

- ⚠ **ข้อควรระวัง:** ไม่บรรจุถังเกินกำหนดและบรรจุถังมาก่อนด้วยอากาศที่อุณหภูมิห้อง เท่านั้น!

ถ้าความดันของถังที่บรรจุมาก่อนเกิน 4 บาร์ (58 psi):

1. ปรับความดันของถังที่บรรจุมาก่อนเป็น 4 บาร์ (58 psi)
2. ติดตั้งถังเข้าระบบ
3. เต็มน้ำเข้าในระบบเพื่อทำให้ระบบสมดุลและความดันที่บรรจุมาก่อนของถังเป็น 4 (58 psi)
4. เพิ่มความดันที่บรรจุมาก่อนของถังด้วยขั้นตอนที่มีความดันสูงสุด 3 บาร์ (44 psi) และหลังจากนั้นปรับความดันของระบบไปที่ความดันที่บรรจุมาก่อนค่าใหม่โดยการเติมน้ำเข้าไปในระบบ
5. ทำขั้นตอนที่ 3 และ 4 ซ้ำ จนกระทั่งได้ค่าที่บรรจุมาก่อนตามต้องการ

เพาในถังที่มีความดันที่บรรจุมาก่อนของถังเกิน 4 บาร์ (58 psi) ที่:

1. แน้ใจว่ามีน้ำบางส่วนอยู่ในถัง
2. แยกถังออกจากระบบ (ปิดวาล์วตัดคอน)
3. แน้ใจว่าน้ำไม่สามารถเข้าไปภายในถังได้ (ปิดปัดและ/หรือ หลั่งจ่ายน้ำใด ๆ)
4. ปล่อยอากาศออกจากถังจนกระทั่งเหลือความดันในถัง/ความดันอากาศ 3 บาร์ (44 psi)
5. ปล่อยน้ำระบายน้ำและหลังจากนั้นวาล์วตัดคอนเพื่อระบายน้ำในถัง

- ⚠ **ข้อควรระวัง:** แน้ใจว่าความดันในระบบไม่ต่ำกว่าความดันที่บรรจุมาก่อนเกิน 4 บาร์ (58 psi) ถ้าความดันของระบบต้องต่ำกว่า ถึงควรจะถูกแยกหรือเพาทิ้งโดยอัติโนมัติ

สำหรับถ้อยแถลงของการรับประกันของ GWS จากกฤกฤกดูสวของการรับประกันดินแดนหน้าที 66

สำหรับใบรับรองของ CE กฤกฤกดูในหน้า 72 และ 73

Fig. 1-7

- ① ถัง
- ② เกจวัดแรงดัน
- ③ น๊อต

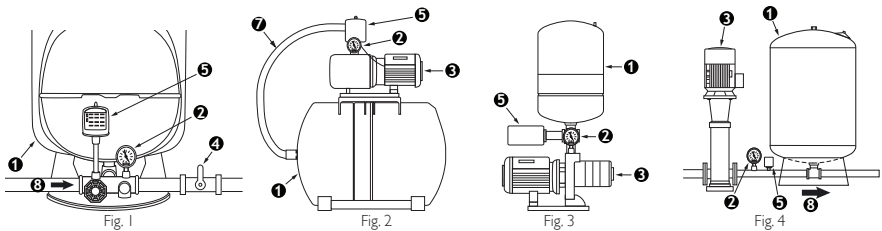
- ④ สินระบายแรงดัน
- ⑤ เครื่องส่งสัญญาณ / เซนเซอร์วัดอัตราการไหล / สวิตซ์แรงดัน
- ⑥ ระบาย

- ⑦ ข้อต่อยึดหุ่นใต้
- ⑧ ที่ทางการไหลของน้ำ
- ⑨ จากบิม
- ⑩ ไปยังระบบ

Fig. 7

A △ ท่อรวมกรณีขนาดเพียงพอต่ออัตราความเร็วของน้ำสูงสุด 1,8 ม./วินาที (6 ฟุต/วินาที)

B △ หมายถึง: สิ่งทุกในต้องมีค่าแรงดันที่เท่ากัน



VI

HƯỚNG DẪN LẮP ĐẶT VÀ VẬN HÀNH

VIỆC LẮP ĐẶT PHẢI TUÂN THỦ CÁC QUY ĐỊNH CỦA NHÀ NƯỚC VÀ ĐỊA PHƯƠNG VỀ HỆ THỐNG ỒNG NƯỚC

THẬN TRỌNG VÀ CẢNH BÁO

⚠ THẬN TRỌNG: Để tránh thương tích cá nhân, đảm bảo xả hết áp suất nước khỏi hệ thống áp suất trước khi thực hiện công việc. Đảm bảo bơm được ngắt và / hoặc cách điện.

⚠ CẢNH BÁO: Chúng tôi thực sự khuyến khích bạn bảo vệ hệ thống bằng van xả áp thích hợp được đặt ở mức hoặc dưới mức áp suất tối đa của bình chứa. Không lắp đặt van xả có thể dẫn đến nổ bình chứa trong trường hợp hỏng hóc hệ thống hoặc quá áp, dẫn đến thiệt hại về tài sản, thương tích cá nhân nghiêm trọng hoặc tử vong.

⚠ CẢNH BÁO: Nếu bình áp suất rò rỉ hoặc có dấu hiệu bị ăn mòn hoặc hỏng hóc, không được sử dụng.

Điều chỉnh áp suất nạp trước

Cần có áp suất nạp trước đúng để bình chứa hoạt động đúng cách.

- Đối với bình chứa được lắp đặt bơm được điều khiển bằng role áp suất với áp suất vi sai được đặt tối đa 2 bar (30 psi), áp suất nạp trước phải được đặt thành 0,2 bar (2 psi) dưới áp suất đóng.
- Đối với bình chứa được lắp đặt bơm được điều khiển bởi role áp suất có độ chênh áp suất lớn hơn 1,4 bar (20psi), điều khiển điện tử hoặc điều khiển vận tốc biến tốc, áp suất nạp trước phải được đặt thành 65% của áp suất hệ thống ngắt mạch hoặc áp suất hệ thống tối đa.
- Đối với bình chứa được lắp đặt trên áp suất chính, áp suất nạp trước của bình chứa phải được đặt bằng với áp suất chính. Đối với áp suất chính vượt quá 6 bar (88 psi), phải lắp đặt bộ điều chỉnh áp suất phù hợp.

Để vận hành đúng, bình chứa áp suất phải được nạp trước như sau:

- Tắt bơm, tháo bình chứa khỏi hệ thống và tháo sách nước trong bình để tránh áp suất nước ảnh hưởng đến chỉ báo áp suất nạp trước.
- Sử dụng một đồng hồ áp lực phù hợp, kiểm tra áp suất trước của bình.
- Xả hoặc nạp không khí nếu cần để điều chỉnh áp suất nạp trước được yêu cầu.
- Thay gioăng làm kín và đầu bịt của van khí bảo vệ có nhân

mác nếu được cung cấp. Điều này sẽ giúp quý vị xác định xem liệu van đã bị sửa lần nào chưa trong trường hợp những lần sau phải gọi dịch vụ.

- Sau khi đặt đúng áp suất nạp trước, không cần kiểm tra nạp khí thường xuyên.

Dừng kiểm tra khí sau khi lắp đặt.

⚠ THẬN TRỌNG: Dừng bảo giữ để áp suất bình vượt quá và chỉ để áp suất trước cho bình chỉ bằng mức không khí nhiệt độ của môi trường xung quanh!

Nếu bình được nạp trước với áp suất quá 4 bar (58 psi):

- Hãy điều chỉnh mức áp suất trước nạp của bình về mức 4 bar (58 psi).
- Lắp bình vào hệ thống.
- Cho nước vào hệ thống để cân bằng hệ thống với áp suất trước nạp ở mức 4 bar (58 psi).
- Tăng áp suất trước nạp lên từng bước tối đa 3 bar (44 psi) và sau đó điều chỉnh áp suất của hệ thống tới mức áp suất trước nạp mới bằng cách đổ nước vào hệ thống.
- Lặp lại bước 3 và 4 cho đến khi đạt được mức trước nạp theo yêu cầu.

Tháo nước trong bình ra khí áp suất lúc đầu vượt quá 4 bar (58 psi):

- Đảm bảo rằng phải có một lít nước trong bồn.
- Tách bình ra khỏi hệ thống (đóng van khóa).
- Phải đảm bảo rằng không có thêm bất cứ lượng nước nào vào bồn (tắt máy bơm và / hoặc bất cứ nguồn cấp nước nào khác).
- Xả bình ra khỏi bồn cho đến khi áp suất khí / bồn còn 3 bar (44 psi)
- Mở van xả và sau đó là mở van khóa để xả nước vào bình.

⚠ THẬN TRỌNG: Phải đảm bảo rằng áp suất của hệ thống không bao giờ thấp hơn 4 bar (58 psi), dưới mức trước nạp. Nếu cần giữ áp suất của hệ thống ở mức thấp hơn, cần tách riêng bồn hoặc thoát rỗng bồn như đã mô tả trên đây.

Vẽ phần thông tin Bảo hành của Công ty TNHH GWS, vui lòng xem phần bảo hành bắt đầu từ trang 66.

Vẽ phần Tuyên bố Tuân thủ các tiêu chuẩn của CE, vui lòng xem trang 72 và 73.

Fig. 1-7

- 1 Bình chứa
- 2 Đồng hồ đo áp
- 3 Bơm

- 4 Van cao áp
- 5 Bộ cảm biến / cảm biến dòng / Rơ le áp suất
- 6 Ống dẫn

- 7 Khớp nối mềm
- 8 Lưu lượng nước
- 9 Tủ bơm
- 10 Vào hệ thống

Fig. 7

- A ⚠ Ống hút có kích thước cho vận tốc tối đa 1,8 m/giây(6 ft/giây)
- B ⚠ LƯU Ý: Tất cả các bình chứa đều phải có áp suất nạp trước bằng nhau

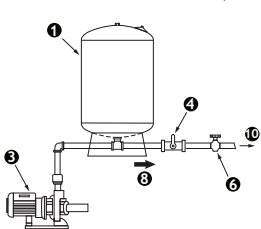


Fig. 5

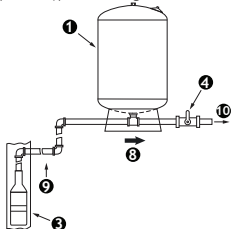


Fig. 6

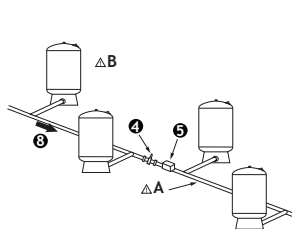


Fig. 7

PEMASANGAN PERLU MENGIKUT KOD SISTEM PAIP TEMPATAN DAN NEGERI.**LANGKAH BERJAGA-JAGA DAN AMARAN**

⚠ **LANGKAH BERJAGA-JAGA:** Untuk mengelakkan kecederaan diri, pastikan semua tekanan air telah dibebaskan dari sistem tekanan sebelum menjalankan kerja. Pastikan pam tidak disambungkan dan / atau diasingkan secara elektrik.

⚠ **AMARAN:** Penggunaan injap pelega tekanan yang sesuai yang ditetapkan pada atau di bawah kadaran tekanan tangki maksimum untuk melindungi sistem amat disyorkan. Kegagalan memasang injap pelega boleh mengakibatkan letupan tangki sekiranya berlaku pincang tugas sistem atau penekanan berlebihan yang mengakibatkan kerosakan harta benda, kecederaan diri yang serius atau kematian.

⚠ **AMARAN:** Sekiranya tangki tekanan bocor atau menunjukkan tanda-tanda karat atau kerosakan, jangan gunakannya.

Melaraskan Tekanan Pra-isian

Pra-isian yang betul adalah perlu untuk prestasi tangki yang betul.

1. Bagi tangki yang dipasangkan dengan pam dikawal suis tekanan dengan tekanan kebezaan ditetapkan sehingga 2 bar (30 psi), pra-isian hendaklah ditetapkan pada 0,2 bar (2 psi) di bawah tekanan potong dalam.
2. Bagi tangki yang dipasangkan dengan pam yang dikawal oleh suis tekanan dengan kebezaan tekanan melebihi 2 bar (30 psi), kawalan elektronik atau kawalan laju boleh ubah, pra-isian hendaklah ditetapkan pada 65% tekanan pemutus atau tekanan sistem maksimum.
3. Bagi tangki yang dipasangkan pada tekanan salur utama, pra-isian tangki hendaklah ditetapkan sama dengan tekanan salur utama. Bagi tekanan salur utama melebihi 6 bar (88 psi), pengatur tekanan yang sesuai hendaklah dipasangkan.

Untuk pengendalian yang betul, tangki tekanan hendaklah dipra-isi seperti berikut:

1. Tutupkan pam, putuskan sambungan tangki dari sistem dan salir keluar semua air di dalam tangki untuk mengelakkan bacaan pra-isian daripada terjejas akibat tekanan air.
2. Menggunakan tolok tekanan yang bersesuaian, periksa tekanan prac-caj tangki.
3. Bebaskan atau tambahkan udara sebagaimana perlu untuk

melaraskan kepada tekanan pra-isian yang dikehendaki.

4. Ganti penutup injap perlindungan udara dan kedap dengan label injap udara, jika diberikan. Ini akan membolehkan anda untuk menentukan jika injap telah diusik dalam panggilan perkhidmatan akan datang.
5. Setelah menetapkan pra-isian dengan betul, tiada lagi pemeriksaan isian udara diperlukan.

Jangan periksa udara selepas pemasangan.

⚠ **AMARAN:** Jangan terlebih caj tangki dan pra-caj tangki dengan udara pada suhu sekitar sahaja!

Jika tangki akan dipra-caj melebihi 4 bar (58 psi):

1. Laraskan pra-caj tangki ke 4 bar (58 psi).
2. Pasang tangki ke dalam sistem.
3. Isi sistem dengan air untuk menyamakan sistem dan ekanan pra-caj pada 4 bar (58 psi).
4. Tingkatkan tekanan pra-caj dalam langkah maksimum 3 bar (44 psi) dan selepas itu laras tekanan sistem ke tekanan pra-caj baru dengan mengisi air ke dalam sistem.
5. Ulang langkah 3 dan 4 sehingga pra-caj yang diperlukan tercapai.

Mengosongkan tangki yang telah dipra-caj melebihi 4 bar (58 psi):

1. Pastikan terdapat sedikit air di dalam tangki.
2. Asingkan tangki dari sistem (tutup injap pengasingan).
3. Pastikan tiada air tambahan yang boleh masuk ke dalam tangki (tutup pam dan / atau apa-apa bekalan air).
4. Lepaskan air daripada tangki sehingga tangki / tekanan air tinggal 3 bar (44 psi).
5. Buka injap saliran dan kemudian injap pengasingan untuk mengalirkan air tangki.

⚠ **AMARAN:** Pastikan tekanan sistem tidak pernah rendah daripada 4 bar (58 psi) di bawah pra-caj. Jika tekanan sistem perlu direndahkan, tangki perlu diasingkan atau dikosongkan seperti yang diterangkan sebelum ini.

Untuk pernyataan Waranti Terhad GMS, sila lihat bahagian waranti bermula di halaman 66.

Untuk Pengisytiharan Pengukuran CE, sila lihat halaman 72 dan 73.

Fig. 1-7

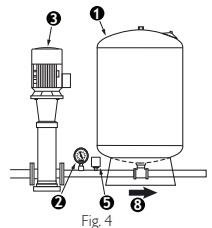
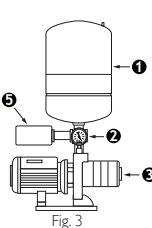
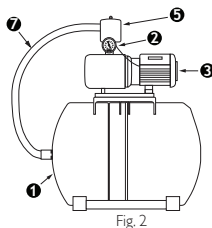
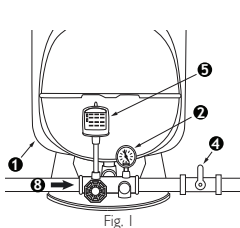
- 1 Tangki
- 2 Tolok Tekanan
- 3 Pam

- 4 Injap Pelega
- 5 Transduser / Penderia Aliran / Suis Tekanan
- 6 Saliran

- 7 Penyambung Boleh Lentur
- 8 Aliran Air
- 9 Dari Pam
- 10 Ke Sistem

Fig. 7

- A ⚠ Pengalpa perlu disaizkan untuk kelajuan maksimum 1.8m/saat(6kaki/saat)
B ⚠ **NOTA:** Semua tangki mesti mempunyai pra-isian yang sama



PEMASANGAN HARUS SESUAI DENGAN UNDANG-UNDANG LOKAL DAN PEMERINTAH MENGENAI PEKERJAAN PEMASANGAN PIPA SALURAN AIR.

PERHATIAN DAN PERINGATAN

⚠ PERHATIAN: Untuk mencegah cedera diri, pastikan semua tekanan air dilepaskan dari sistem tekanan sebelum melakukan pekerjaan apa pun. Pastikan sambungan pompa dilepas dan / atau sambungan listriknya terisolasi / terputus.

⚠ PERINGATAN: Sangat dianjurkan agar sistem dilindungi / dilengkapi dengan katup pelepas tekanan yang sesuai yang diatur pada rating tekanan tangki maksimal atau di bawahnya. Jika tidak dipasang katup pelepas, tangki bisa meledak apabila terjadi kerusakan sistem atau terjadi tekanan berlebihan, yang bisa menyebabkan kerusakan harta benda / peralatan lain, cedera parah atau bahkan kematian.

⚠ PERINGATAN: Jangan lagi menggunakan tangki tekanan jika bocor atau menunjukkan tanda-tanda korosi atau kerusakan.

Menyetel Tekanan Pengisian Awal

Pengisian awal diperlukan agar tangki bekerja dengan tepat.

1. Untuk tangki yang dipasang pompa yang dikontrol sakelar tekanan dengan tekanan / pressure switch dengan tekanan diferensial yang diatur ke 2 bar (30 psi), pengisian awal harus diatur pada 0,2 bar (2,psi) di bawah tekanan cut-in (sela).
2. Untuk tangki yang dipasang pompa yang dikontrol sakelar tekanan dengan tekanan diferensial lebih besar daripada 2 bar(30 psi), kontrol elektronik atau kontrol kecepatan variabel, pengisian awal harus diatur ke 65% dari tekanan sistem cut-out (pemutus) atau maksimal.
3. Untuk tangki yang dipasang pada tekanan pipa utama, pengisian awal tangki harus setara dengan tekanan pipa utama. Untuk tekanan pipa utama yang melebihi 6 bar (88 psi), regulator tekanan yang tepat harus dipasang.

Agar beroperasi dengan benar, tangki tekanan harus diisi terlebih dahulu dengan cara berikut ini:

1. Matikan pompa, lepas sambungan tangki dari sistem dan kurus semua air di dalam tangki sepenuhnya agar tekanan air tidak mempengaruhi hasil pengukuran pengisian awal.
2. Dengan menggunakan alat pengukur tekanan yang cocok / memadai, periksa tekanan udara yang telah terisi dalam tangki.
3. Lepas atau tambahkan udara seperlunya untuk menyetel / mendapatkan tekanan pengisian awal yang diperlukan.
4. Ganti penutup dan segel katup pelindung udara dengan label

katup udara, bila disediakan / tersedia sebelumnya. Hal ini akan memudahkan anda untuk menentukan apakah katup telah rusak pada saat melakukan panggilan pelayanan / servis di kemudian hari.

5. Setelah pengisian awal diatur dengan tepat, pengecekan pengisian udara reguler tidak diperlukan.

Do not check air after installation.

⚠ PERHATIAN: Jangan sekali kali mengisi tangki melampaui batas dan hanya isi tangki dengan udara pada suhu normal!

Bila tangki telah terisi melampaui 4 bar (58 psi):

1. Sesuaikan tekanan udara yang telah terisi pada tangki hingga 4 bar (58 psi).
2. Pasang tangki pada sistem.
3. Isi sistem dengan air untuk menyeimbangkan sistem dan tekanan yang telah terisi pada 4 bar (58 psi).
4. Tingkatkan tekanan yang telah terisi secara bertahap maksimal 3 bar (44 psi) dan setelah itu sesuaikan tekanan sistem dengan tekanan terisi yang baru dengan mengisi air ke dalam sistem.
5. Ulangi langkah langkah 3 dan 4 hingga tercapai tekanan terisi yang diperlukan.

Menguras tangki yang memiliki tekanan terisi melebihi 4 bar (58 psi):

1. Pastikan agar ada sejumlah / masih ada sedikit air di dalam tangki.
2. Pisahkan tangki dari sistem (tutup katup pemisah).
3. Pastikan agar tidak ada air tambahan yang dapat masuk ke tangki (tutup pompa dan / atau pasokan air apapun).
4. Keluarkan udara dari tangki hingga tersisa tekanan tangki / udara sebesar 3 bar (44 psi).
5. Buka katup kuras dan setelah itu katup pemisah untuk menguras air dari tangki.

⚠ PERHATIAN: Pasikan agar tekanan pada sistem selalu tidak kurang dari 4 bar (58 psi) di bawah tekanan terisi / awal. Bila tekanan sistem perlu diturunkan, tangki harus dipisahkan atau dikosongkan sebagaimana dijelaskan sebelumnya.

Untuk pernyataan Jaminan Terbatas GWS (GWS Limited Warranty), mohon lihat bagian jaminan mulai dari halaman 66.

Untuk Pernyataan Keselarasan CE (CE Declaration of Conformity), mohon lihat halaman 72 dan 73.

Fig. 1-7

- 1 Tangki
- 2 Alat Ukur Tekanan
- 3 Pompa

- 4 Katup Pelepas
- 5 Transduser Sensor / Aliran Sakelar / Tekanan
- 6 Penguras

- 7 Konektor Fleksibel
- 8 Aliran Air
- 9 Dari Pompa
- 10 Ke Sistem

Fig. 7

⚠ Ukuran header harus diukur untuk kecepatan maksimal sebesar 1,8m/dtk(6ft/dtk)

⚠ CATATAN: Semua tangki harus memiliki pengisian awal yang setara

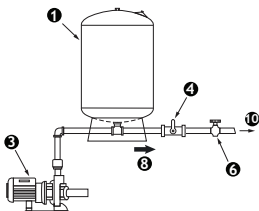


Fig. 5

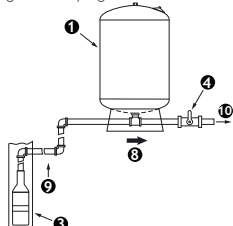


Fig. 6

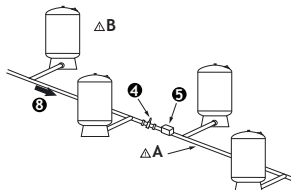


Fig. 7

KO

설치 및 작동 설명서

설치는 지역 및 국가의 배관 법률에 의거하여 이루어져야 합니다.

주의 및 경고

⚠ **주의:** 부상을 방지하려면 작업을 진행하기 전에 압력 시스템에서 수압이 모두 해제되었는지 확인하십시오. 펌프가 분리되었는지, 그리고 절연되었는지 확인하십시오.

⚠ **경고:** 적절한 압력 해제 밸브를 최대 탱크 압력 등급 또는 그 이하로 설정하여 시스템을 보호할 것을 강력히 권장합니다. 해제 밸브를 설치하지 않은 경우 시스템이 작동하거나 과도한 가압으로 인해 탱크가 폭발하여 재산상의 손해를 입거나, 심각한 부상 또는 사망에 이를 수 있습니다.

⚠ **경고:** 압력 탱크가 새거나 부식의 징후가 보이거나 손상된 경우 사용하지 마십시오.

사전 탱크 압력 조정

탱크가 제대로 작동하려면 사전 충압을 올바르게 해야 합니다.

1. 압력스위치 ON/OFF 차이가 최대 2바(30psi)이하로 설정된 압력 스위치 제어방식 펌프를 사용할 경우, 사전 충압은 ON 압력의 0.2바(2psi) 이하로 설정해야 합니다. (예: 2.5KG/3.9KG 경우 2.3KG로 충압)
2. 압력스위치 ON/OFF 차이가 2바(30psi) 이상으로 설정된 압력 스위치 제어방식 펌프를 사용할 경우, 또는 인버터 펌프를 사용할 경우, 사전 충압은 OFF 또는 최대 시스템 압력의 65%로 설정해야 합니다. (예: 2.5KG/4.2KG 경우 2.7KG로 충압)
3. 수도배관에 직접 설치된 탱크의 경우 탱크 사전 충압은 수도배관 압력과 동일하게 설정해야 합니다. 주된 압력이 6바(88psi)를 초과하는 경우 적절한 압력 조절기를 설치해야 합니다.

올바로 작동하려면 다음과 같이 압력 탱크를 사전 충압해야 합니다:

1. 펌프를 끄고, 시스템에서 탱크를 분리하고, 수압이 사전 충압 측정값에 영향을 미치지 않도록 탱크 내부에서 물을 완전히 빼냅니다.
2. 적절한 압력계를 사용하여 탱크의 기 충전된 압력을 확인하십시오.
3. 필요할 경우 공기를 빼거나 보충하여 사전 충압 소요

압력을 조정합니다.

4. 보호 공기 밸브 캡을 뒤돌려 놓고 공기 밸브 라벨이 제공된 경우엔 이것으로 밀봉하지 마십시오. 이로써 향후에 서비스 요청 시 밸브가 조작되었는지 알 수 있습니다.
5. 사전 충압을 올바르게 설정한 다음에는 정기적으로 공기 충전을 확인할 필요가 없습니다.

설치 후에는 공기를 확인하지 마십시오.

⚠ **주의:** 절대로 탱크를 과 충압하지 말 것이며, 상온의 에어로 충압 바랍니다

탱크가 4바(58 psi)를 초과하여, 사전 충압된 경우

1. 탱크의 사전충압압력 4바(58 psi)로 조정하십시오.
2. 탱크를 시스템에 설치하십시오.
3. 시스템에 물을 채워, 시스템과 탱크의 압력을 4바(58psi)로 맞추세요.
4. 최대 3바(44 psi) 압력으로, 탱크 압력을 증가시키며, 그 다음에, 시스템에 물을 채우면서, 시스템과 탱크의 압력을 맞춥니다.
5. 2단계와 4 단계를 필요 한 사전 충압 수준에 도달 될 때까지 반복하십시오.

사전 충압이 4(58 psi)를 초과하는 탱크 조정 방법:

1. 탱크 내에 어느 정도의 물이 남아있도록 하십시오.
2. 탱크를 시스템에서 분리시키십시오.(분리 밸브를 닫아주세요)
3. 탱크 내로 더 이상의 물이 들어가지 않도록 하십시오.(펌프 그리고/혹은 불공급을 차단하십시오.)
4. 탱크에서 공기를 빼내 탱크압/공기압이 3바(44psi)가 되도록 조절하십시오.
5. 3 단계와 4 단계를 필요 한 사전 충압 수준에 도달 될 때까지 반복하십시오.

⚠ **주의:** 시스템 내의 압력이 절대로 선충진 압력 4바(58 psi) 이하로 내려가지 않도록 주의하십시오. 시스템 내의 압력을 낮추고자 하는 경우에는, 상술한대로 탱크를 분리하거나 비워야 합니다.

GWS 사의 무상 보증 약관은 66페이지에서 시작되는 무상보증에 관한 항목을 보시기 바랍니다.

CE 규정에 대한 제품의 순승 선언은 72 페이지와 73 페이지에서 보실 수 있습니다.

Fig. 1-7

- 1 탱크
- 2 압력계
- 3 펌프

4 해제 밸브

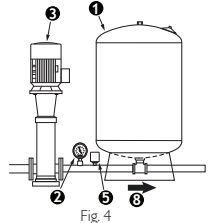
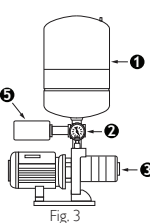
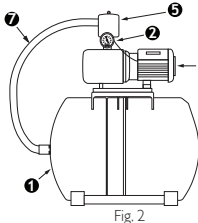
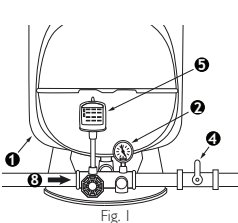
- 5 변환기 / 압력센서 / 압력스위치
- 6 배수
- 7 프래시블커넥터

8 물의 흐름

- 9 > 펌프에서 주입
- 10 시스템으로 방향

Fig. 7

⚠ **A** 크기가 최대 속도 1.8m/sec(6ft/sec)에 맞게 만들어진 헤드
⚠ **B** 주의: 모든 탱크를 동일하게 사전 정압해야 합니다



JP 取り付け・操作マニュアル

設置は、地域と州の給排水設備基準に従って行ってください。

注意と警告

- ⚠ **注意:** 身体への傷害を防止するために、必ず圧力系のすべての水圧を開放してから作業を行ってください。また、ポンプの切断や電気的な絶縁が行われていることも確認してください。
- ⚠ **警告:** システムは、最大タンク圧力定格以下に設定した適切な圧力安全弁で保護することを強く推奨します。安全弁を取り付けていないと、システムの誤動作や過剰加圧が発生した場合に、タンクが爆発し、物品の損傷、重大な身体傷害、死亡事故を招く危険があります。
- ⚠ **警告:** 圧力タンクに漏れが発生している場合、または腐食や損傷の兆候が見られる場合は、圧力タンクを使わないでください。

プリチャージ圧力の調整

タンクの性能を適切に引き出すには、プリチャージを正確に設定する必要があります。

1. 差圧を 2 バール (30 psi) に設定した圧力スイッチで制御するポンプにタンクを取り付けている場合は、圧力スイッチ動作圧力 (ポンプ始動圧力) よりも 0.2 バール (2 psi) 小さい値にプリチャージを設定します。
2. 差圧を 2 バール (30 psi) よりも大きい値に設定した圧力スイッチ、電気制御装置、可変速制御装置で制御するポンプにタンクを取り付けている場合は、圧力スイッチ停止圧力 (ポンプ停止圧力) または最大システム圧力の 65% にプリチャージを設定します。
3. 水圧側にタンクを取り付けている場合は、タンクのプリチャージを水圧と同じ値に設定します。水圧が 6 バール (88 psi) を超える場合は、適切な圧力調整器を取り付けてください。

正常に動作させるには、圧力タンクを以下のように与圧する必要があります。

1. ポンプの電源を切り、システムからタンクを切り離したあと、タンク内の水を完全に排出して、プリチャージ値が水圧の影響を受けないようにします。
2. 適切な圧力計を使用し、タンクのプリチャージ圧力を確認してください。
3. 必要に応じてエアの出入れを行い、必要なプリチャージ圧力に調整します。
4. 空気弁ラベルが提供された場合、空気弁キャップと

封を、空気弁ラベルと交換してください。これにより、今後サービスが必要な場合、弁に手が加えられていたが、判断することができず、

5. プリチャージを正しく設定したら、空気を定期的に確認する必要があります。

取り付け後はエアのチェックを行わないでください。

- ⚠ **注意:** 決してタンクを過加圧しないでください。タンクのプリチャージは周囲温度の空気でのみ行ってください!

タンクを4バール(58psi)以上にプリチャージする場合

1. タンクのプリチャージを4バール(58psi)に調節してください
2. タンクをシステムに取り付けます。
3. システムの圧力をプリチャージと同じ4バール(58psi)とするためにシステムを水で満たしてください。
4. 最大3バール(44psi)刻みでプリチャージ圧力を上げ、その後システムに水を注入し、システム圧力を新しいプリチャージ圧力に調整してください。
5. 必要なプリチャージに到達するまで、ステップ3と4を繰り返してください。

4バール(58psi)を超えたプリチャージのタンクを空にする場合

1. タンクに必ず水が入っていることを確認してください。
2. タンクをシステムから分離してください (遮断弁を開けてください)
3. これ以上、水がタンクに入らないことを確認してください。(ポンプとその他の水の供給を止める)
4. 3バール(44psi)の空気圧が残っている状態まで、タンクから空気を放出します。
5. タンクを排水するために、排水弁を開け、その後遮断弁を開けます。

- ⚠ **注意:** システム圧力が、決してプリチャージより下の4バール(58psi)以下に下げられないようにしてください。もしシステム圧力を下げ必要がある場合、上述のように、タンクをシステムから分離して空にしてください。

GW S 限定保証明細書については、66ページから始まる保証セクションをご覧ください。

C E 適合宣言については、72ページと73ページをご覧ください。

Fig. 1-7

- ① タンク
- ② 圧力計
- ③ ポンプ

- ④ 安全弁
- ⑤ トランスデューサ / 流量センサー / 圧力スイッチ
- ⑥ 排水管

- ⑦ ough管コネクター
- ⑧ 水の流れ
- ⑨ ポンプから
- ⑩ システムへ

Fig. 7

- A △ 最高流速が 1.8 m/秒 (6 フィート/秒) になるようにヘッダー配管の大きさを調整
- B △ 注記: すべてのタンクのプリチャージが同じになるようにしてください。

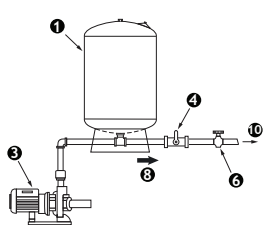


Fig. 5

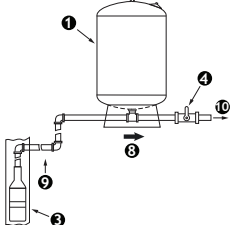


Fig. 6

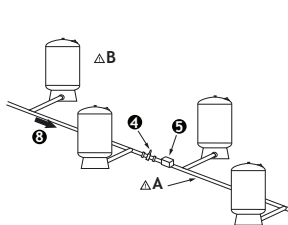


Fig. 7

EN GWS Pressure Tanks Limited Warranty

PressureWave™ / Max™ / UltraMax™ / M-Inox™ / E-Wave™ / Challenger™ / C2-Lite CAD™
FlowThru™ / All-Weather™ / HeatWave™ / SolarWave™ / ThermoWave™ Series

Global Water Solutions Ltd. (GWS) warrants its Challenger™, FlowThru™, C2-Lite CAD™, PressureWave™, M-Inox™, Max™, UltraMax™ and All-Weather™ tanks against manufacturing defects in material and workmanship for a period of 5 years, SolarWave™, ThermoWave™ tanks for 3 years and HeatWave™ tanks for a period of 2 years from the date of manufacture. Warranty applies to Global Water Solutions products only when used for their intended purpose, and does not apply if a defect is due to improper use of the product, result of accident, misuse, or abuse. If the product was improperly installed or altered in any way, not specifically authorized by the factory, the warranty is void. The warranty set forth in this paragraph is made expressly in lieu of all other warranties expressed, or implied, including but not limited to merchantability or fitness for a particular purpose.

In no event shall GWS be liable for cost of processing, lost profits, goodwill or any other consequential or incidental damage of any kind resulting from the order or use of its products whether arriving from breach of warranty, nonconformity to ordered specifications, delay in delivery, or any loss sustained by the buyer nor will GWS be liable for labor and expenses necessary to remove and reinstall replacement product.

To obtain service under this warranty, the consumer must deliver alleged defective product, freight prepaid, to an authorized GWS distributor or OEM partner. GWS will either issue credit or at its option, repair or replace defective product freight prepaid to the distributor. GWS reserves the right to make changes in construction, which, in its judgment, constitutes a product improvement.

All warranty is subject to verifiable proper installation, adjustment of precharge as per our engineering bulletins and installation of a pressure relief valve as recommended in the installation manual.

Standard manufacturer's warranty as defined in the standard GWS warranty terms and conditions.

ES

Garantía limitada de los depósitos a presión GWS

PressureWave™ / Max™ / UltraMax™ / M-Inox™ / E-Wave™ / Challenger™ / C2-Lite CAD™
FlowThru™ / All-Weather™ / HeatWave™ / SolarWave™ / ThermoWave™ Series

Global Water Solutions Ltd. (GWS) garantiza los depósitos Challenger™, FlowThru™, C2-Lite CAD™, PressureWave™, M-Inox™, Max™, UltraMax™ y All-Weather™ frente a defectos en los materiales de fabricación y la mano de obra durante un periodo de 5 años; los depósitos SolarWave™ y ThermoWave™ están garantizados durante un periodo de 3 años y los depósitos HeatWave™ tienen una garantía de 2 a partir de la fecha de fabricación. La garantía es válida cuando los productos de Global Water Solutions se destinan a la finalidad prevista, y no es válida si la avería se debe al uso inadecuado del producto como resultado de accidente, mal uso o abuso. La garantía se anulará si el producto se instala de forma incorrecta o se modifica de cualquier forma que no haya autorizado el fabricante. La garantía descrita en este apartado sustituye expresamente cualquier otra garantía, expresa o implícita, incluidas entre otras las garantías de comerciabilidad e idoneidad para un propósito particular.

GWS no se responsabilizará en ninguna circunstancia de los gastos de procesamiento, las pérdidas de beneficios, la pérdida de crédito mercantil o los daños consecuenciales o incidentales de cualquier tipo que surjan como resultado del pedido o uso de sus productos, ya sea por incumplimiento de la garantía, diferencias con las especificaciones solicitadas o retraso en la entrega, ni de las pérdidas en que incurra el comprador. GWS tampoco se hará cargo de la mano de obra y los gastos necesarios para retirar y volver a instalar el producto de sustitución.

Para obtener asistencia según los términos de esta garantía, el usuario debe devolver el producto supuestamente defectuoso, con portes pagados, a un distribuidor autorizado de GWS o a un socio del fabricante del equipo original. GWS podrá otorgar una nota de crédito o, a su discreción, reparar o reponer el producto defectuoso con portes pagados en el distribuidor. GWS se reserva el derecho a realizar cambios en la construcción, lo que, a su juicio, constituye una mejora del producto.

La validez de la garantía está sujeta a la verificación de la correcta instalación, el ajuste de la precarga de acuerdo con nuestros boletines técnicos y la instalación de una válvula de seguridad conforme se recomienda en el manual de instalación.

Garantía estándar del fabricante según lo establecido en los términos y las condiciones de la garantía estándar de GWS.

PT

Garantia Limitada dos Vasos de Pressão da GWS

**PressureWave™ / Max™ / UltraMax™ / M-Inox™ / E-Wave™ / Challenger™ / C2-Lite CAD™
FlowThru™ / All-Weather™ / HeatWave™ / SolarWave™ / ThermoWave™ Series**

A Global Water Solutions Ltd. (GWS) garante os seus vasos de expansão Challenger™, FlowThru™, C2-Lite CAD™, PressureWave™, M-Inox™, Max™, UltraMax™ e All-Weather™ contra defeitos de fabrico dos materiais e da mão-de-obra por um prazo de 5 anos, os vasos de expansão SolarWave™ e ThermoWave™ por 3 anos e os vasos de expansão HeatWave™ por um prazo de 2 anos a contar da data de fabrico. A garantia aplica-se aos produtos da Global Water Solutions apenas quando utilizados na finalidade a que se destinam e não se aplica se o defeito for devido ao uso inadequado do produto, em resultado de um acidente, de má utilização ou abuso. A garantia é anulada se o produto for mal instalado ou sujeito a qualquer modificação sem autorização específica da fábrica. A garantia especificada neste parágrafo é expressa em substituição de todas as outras garantias expressas ou implícitas, incluindo mas não limitadas à comercialização ou adequação para uma determinada finalidade.

Em nenhum caso será a GWS responsabilizada por despesas de processamento, perda de lucros, boa vontade ou por quaisquer outros danos accidentais ou consequenciais, resultantes da encomenda ou da utilização dos seus produtos, seja devido a quebras de garantia, não-conformidade com as especificações encomendadas, atraso na entrega ou qualquer perda suportada pelo comprador nem será a GWS responsabilizada por mão-de-obra e despesas necessárias na remoção e reinstalação do produto de substituição.

Para obter assistência técnica ao abrigo desta garantia, o consumidor terá de enviar o produto alegadamente defeituoso com portes pré-pagos para um revendedor autorizado ou para a assistência técnica da GWS. A GWS creditará ou, por iniciativa própria, reparará ou substituirá o produto defeituoso com portes pré-pagos para o revendedor. A GWS reserva-se o direito de efectuar alterações na construção, as quais, na sua opinião, constituam uma melhoria do produto.

Todas as garantias estão sujeitas à confirmação de uma instalação adequada, do ajuste da pré-carga de acordo com os boletins técnicos e da instalação de uma válvula de descarga de pressão conforme o recomendado no manual de instalação.

Garantia normal do fabricante conforme o definido nos termos e condições normais de garantia da GWS.

FR

Garantie limitée des réservoirs à pression GWS

**PressureWave™ / Max™ / UltraMax™ / M-Inox™ / E-Wave™ / Challenger™ / C2-Lite CAD™
FlowThru™ / All-Weather™ / HeatWave™ / SolarWave™ / ThermoWave™ Series**

Global Water Solutions Ltd. (GWS) garantit ses réservoirs Challenger™, FlowThru™, C2-Lite CAD™, PressureWave™, M-Inox™, Max™, UltraMax™ et All-Weather™ contre tout vice de matières ou de fabrication pour une durée de 5 ans, les réservoirs SolarWave™, ThermoWave™ pour une durée de 3 ans, et les réservoirs HeatWave™ pour une durée de 2 ans à compter de la date de fabrication. Cette garantie s'applique à tous les produits de Global Water Solutions à condition qu'ils soient utilisés dans le cadre de leur usage prévu, et ne s'applique pas si le défaut est dû à un usage inapproprié ou abusif et à une mauvaise utilisation du produit ou à la suite d'un accident. La garantie est nulle si le produit n'a pas bien été installé ou a été modifié sans l'autorisation spécifique de l'usine. La garantie présentée dans ce paragraphe remplace expressément toutes les autres garanties, explicites ou implicites, y compris sans s'y limiter les garanties de commercialité ou conformité à un usage spécifique.

En aucun cas, GWS ne sera tenue responsable des coûts de traitement, perte de profits, acquisition ou tout autre dommage indirect ou accidentel dû à l'état ou l'utilisation de ses produits en raison d'une violation de la garantie, d'une non-conformité aux spécifications préconisées, d'un retard de livraison, ou de toute perte subie par l'acquéreur. GWS ne sera pas tenue de prendre en charge les frais de main-d'œuvre ou dépenses nécessaires pour enlever et installer un produit de remplacement.

Pour bénéficier du service de réparation sous garantie, le client devra envoyer le produit supposé défectueux, frais de port prépayés, à un distributeur GWS agréé ou un partenaire OEM. GWS délivrera un avoir ou à sa discrétion, réparera ou remplacera le produit défectueux, frais de port prépayés au distributeur. GWS se réserve le droit de modifier la fabrication du produit qui, à son jugement, constitue une amélioration du produit.

Toute garantie est soumise à une installation correcte vérifiable, un ajustement de précharge selon les fiches techniques et à l'installation d'un clapet de surpression comme il est recommandé dans le manuel d'installation.

Garantie standard du fabricant telle que définie dans les termes et conditions de la garantie GWS standard.

DE

Beschränkte Gewährleistung für GWS Druckbehälter

PressureWave™ / Max™ / UltraMax™ / M-Inox™ / E-Wave™ / Challenger™ / C2-Lite CAD™
FlowThru™ / All-Weather™ / HeatWave™ / SolarWave™ / ThermoWave™ Series

Global Water Solutions Ltd. (GWS) garantiert für seine Challenger™, FlowThru™, C2-Lite CAD™, PressureWave™, M-Inox™, Max™, UltraMax™ und All-Weather™ Behälter für einen Zeitraum von 5 Jahren, SolarWave™, ThermoWave™ für 3 Jahre, und HeatWave™ für 2 Jahre ab Herstellungsdatum, dass das Produkt frei von Material- und Herstellungsmängeln ist. Diese Gewährleistung gilt für Global Water Solutions Produkte nur bei bestimmungsgemäßer Verwendung und erlischt, wenn sich Defekte auf Grund unsachgemäßer Verwendung des Produktes bzw. als Folge eines Unfalls, falschen Gebrauchs oder Missbrauchs ergeben. Die Garantie erlischt bei unsachgemäßer Installation sowie bei unbefugten, nicht speziell vom Hersteller genehmigten Eingriffen in das Produkt. Die in diesem Abschnitt angegebenen Garantiezeiträume treten ausdrücklich an die Stelle aller anderen ausdrücklichen oder angedeuteten Garantien, einschließlich, jedoch ohne Begrenzung auf Handelsüblichkeit oder Eignung für einen bestimmten Zweck.

GWS haftet unter keinen Umständen für Arbeitskosten, Gewinnverluste, Kulanz oder Folge- bzw. Nebenschäden jedweder Art, die aus der Anforderung bzw. dem Gebrauch seiner Produkte entstehen, unabhängig davon, ob diese durch Garantieverletzungen, Nichteinhaltung vorgeschriebener Spezifikationen, Lieferverzögerung oder andere Schäden des Käufers entstehen. GWS haftet darüber hinaus ebenfalls nicht für Arbeits- und Materialkosten, die für das Entfernen des vorherigen Produktes und den Austausch desselben durch ein neues Produkt entstehen.

Zur Inanspruchnahme von Leistungen im Rahmen dieser Gewährleistung muss der Verbraucher das als defekt angesehene Produkt frachtfrei an einen autorisierten GWS Vertriebshändler oder OEM-Partner einsenden. GWS gewährt dann entweder eine Gutschrift bzw. repariert oder ersetzt (nach eigenem Ermessen) das defekte Produkt und sendet es dann frachtfrei an den zuständigen Vertriebshändler zurück. GWS behält sich das Recht zum Vornehmen von Konstruktionsänderungen, welche in seinem Ermessen eine Produktverbesserung darstellen, vor.

Die Garantie gilt vorbehaltlich verifizierbarer ordnungsgemäßer Installation, Einstellung des Vordrucks gemäß unserer technischen Spezifikationen und Installation eines Ablassventils gemäß Installationshandbuch.

Hersteller-Standardgarantie gemäß den GWS Standard-Garantiebedingungen.

IT

Garanzia limitata dei vasi di espansione GWS

PressureWave™ / Max™ / UltraMax™ / M-Inox™ / E-Wave™ / Challenger™ / C2-Lite CAD™
FlowThru™ / All-Weather™ / HeatWave™ / SolarWave™ / ThermoWave™ Series

La garanzia fornita da Global Water Solutions Ltd. (GWS) copre gli eventuali difetti di fabbricazione dei materiali e di lavorazione dei vasi di espansione Challenger™, FlowThru™, C2-Lite CAD™, PressureWave™, M-Inox™, Max™, UltraMax™ e All-Weather™ per un periodo di cinque anni, di SolarWave™ e ThermoWave™ per tre anni e di HeatWave™ per un periodo di due anni a partire dalla data di produzione. La garanzia si applica nei soli casi di utilizzo dei prodotti Global Water Solutions per lo scopo previsto e non è valida se il danno è causato da uso improprio del prodotto, incidente, uso errato o abuso. Se il prodotto non è stato installato correttamente o presenta alterazioni di qualsiasi sorta non specificamente autorizzate dal costruttore, la garanzia è nulla. La garanzia definita in questo paragrafo sostituisce esplicitamente tutte le altre garanzie, espresse o implicite, ivi comprese ma non solo la commerciabilità o l'idoneità a un determinato scopo.

GWS non sarà in alcun caso tenuta a risarcire i costi di lavorazione, il mancato guadagno o l'avviamento né altri danni conseguenti o incidentali di qualsiasi tipo derivanti dall'ordine o dall'uso dei suoi prodotti in caso di violazione della garanzia, mancata conformità delle specifiche dell'ordine, ritardi di consegna o perdite di altro tipo eventualmente incorse dal compratore. In modo analogo, GWS non risponderà dei costi di manodopera e delle spese sostenute per la rimozione del prodotto e per l'eventuale installazione di un prodotto sostitutivo.

Per avvalersi della garanzia, il compratore deve consegnare a sue spese il prodotto che si presume sia difettoso ad un distributore GWS autorizzato o a un partner OEM. GWS accrediterà l'importo oppure, a sua completa discrezione, riparerà o sostituirà il prodotto difettoso recapitandolo a sue spese al distributore. GWS si riserva il diritto di apportare in corso d'opera le modifiche che a suo giudizio costituiscono una miglioria del prodotto.

Condizioni per l'applicazione della garanzia sono la verificabilità della corretta installazione, la regolazione della precarica secondo le indicazioni dei nostri bollettini tecnici e l'installazione di una valvola di sfogo, come da manuale di installazione.

Garanzia standard del produttore secondo i termini e le condizioni di garanzia standard GWS.

SV

GWS trycktankars begrænsede garanti

PressureWave™ / Max™ / UltraMax™ / M-Inox™ / E-Wave™ / Challenger™ / C2-Lite CAD™
FlowThru™ / All-Weather™ / HeatWave™ / SolarWave™ / ThermoWave™ Series

Global Water Solutions Ltd. (GWS) garanterer tankarna Challenger™, FlowThru™, C2-Lite CAD™, PressureWave™, M-Inox™, Max™, UltraMax™, All-Weather™ mot tiliverkningsdefekter i material og utforãnde under en period på fem år. SolarWave™- og ThermoWave™-tankarna garanteras i tre år og HeatWave™-tankarna under en period av två år från tillverkningsdatumet. Garantin gãller for produkter från Global Water Solutions men endast når de anvãnds for det syfte de år framtagne for og den gãller inte for eventuelle defekter som beror på att produkten anvãnds på fel sãtt eller som år resultatet av ulykker, felaktig anvãndning eller misbruk. Om produkten har installerats felaktigt eller modifierats på något sãtt som inte specifikt har auktoriserats av tillverkarer, opphør garantin att gãlla. Garantin som angies i detta stycke ersãtter alla andra uttrykte eller underforstådde garantier, inklusive men inte begrãnsat til sãlbarhet eller læmplighet for ett visst åndamål.

Inte under några omstãndigheter ska GWS hãllas ansvarig for kostnaderna for bearbejning, forlorade vinster, goodwill eller annan foljdskada eller oforutsedd skade av något slag som hãrror från bestãllning eller anvãndning av produkterna om sk sker via brott mot garantin, bristende overensstãmmelse med de bestãllte enheternas spesifikasjoner, forsenade leveranser eller någon forlust som kãperen lidit. GWS kommer inte heller att hãllas ansvarig for arbete og utgifter som krãvs for att forsla bort og återinstallere en ersãttingsprodukt.

For ått få service under denna garanti, måste konsumenter leverere den påstått defekte produkten med forbetald frakt til en auktoriserad GWS-återforsãljare eller OEM-partner. GWS kommer antingen ått utfãrde kredit til distributøren eller, enligt eget formenãnde, reparere eller byta ut den defekte produkten med forbetald frakt. GWS forbeholder sig rãtten ått gãre åndringer i konstruksjonen, som enligt foretãgets bedømmning utgør en produktforbãtting.

Alla garantier forutsãtter en riktig installasjon som kan kontrolleres, anpassning av forlãdningen enligt vãra tekniske bulletiner og installasjon av en tryckbegrãnsningsventil sã som rekkommanderes i installasjonshandboken.

Tillverkarers standardgaranti enligt definisjonen i vilkoren og bestãmmelsene for GWS standardgarantin.

DA

Begrænset garanti for GWS-tryktanke

PressureWave™ / Max™ / UltraMax™ / M-Inox™ / E-Wave™ / Challenger™ / C2-Lite CAD™
FlowThru™ / All-Weather™ / HeatWave™ / SolarWave™ / ThermoWave™ Series

Global Water Solutions Ltd. (GWS) dækker sine Challenger™-, FlowThru™-, C2-Lite CAD™-, PressureWave™-, M-Inox™-, Max™-, UltraMax™ og All-Weather™-tanke mod materiale- og forarbejdningsfejl med en 5-års garanti, SolarWave™- og ThermoWave™-tanke med en 3-års garanti og HeatWave™-tanke med en 2-års garanti fra fremstillingsdatoen. Garantien gælder kun for Global Water Solutions-produkter, når de anvendes til deres tilsigtede formål. Garantien dækker ikke, hvis en fejl skyldes fejlagtig brug af produktet, uheld, misbrug eller forkert brug. Hvis produktet installeres forkert eller ændres på nogen måde, som ikke er specifikt tilladt af fabrikken, annulleres garantien. Garantien, som anføres i dette afsnit, erstatter udtrykkeligt alle andre udtrykkelige eller implicite garantier; herunder, men ikke begrænset til salgbarhed eller egnethed til et særligt formål.

GWS kan under ingen omstændigheder holdes ansvarlig for bearbejdningsomkostninger, mistet udbytte, goodwill eller nogen anden følgeskade eller utilsigtet skade, der skyldes ordren eller brug af dets produkter, hvad enten det er på grund af brud på garantien, manglende overensstemmelse med bestemte specifikationer, forsinket levering eller andet tab, som køberen pådrages. GWS vil heller ikke være ansvarlig for det nødvendige arbejde og de nødvendige udgifter til at afmontere og genmontere et erstatningsprodukt.

For at opnå service under denne garanti skal forbrugeren sende det påståede defekte produkt med franco forsendelse til en autoriseret GWS- distributør eller OEM-partner. GWS vil enten udstede kredit eller efter eget skøn reparere eller udskifte et defekt produkt med franco forsendelse til distributøren. GWS forbeholder sig ret til at foretage konstruktionsændringer, som efter dennes skøn udgør en produktforbedring.

Al garanti er genstand for bevislig korrekt installation, justering af fortryk i overensstemmelse med vores tekniske bulletiner og montering af en overtryksventil, som anbefalet i installationsmanualen.

Producentens standardgaranti er som defineret i GWS-standardgarantiens vilkår og betingelser.

FI GWS-painesäiliöiden rajoitettu takuu

PressureWave™ / Max™ / UltraMax™ / M-Inox™ / E-Wave™ / Challenger™ / C2-Lite CAD™
FlowThru™ / All-Weather™ / HeatWave™ / SolarWave™ / ThermoWave™ Series

Global Water Solutions Ltd. (GWS) myöntää materiaali- ja valmistusvikojen varalta viiden vuoden takuun Challenger™, FlowThru™, C2-Lite CAD™, PressureWave™, M-Inox™, Max™, UltraMax™, All-Weather™-säiliölle ja kolmen vuoden takuun SolarWave™, ThermoWave™-säiliölle sekä kahden vuoden takuun HeatWave™-säiliölle valmistuspäivämäärästä laskien. Takuu koskee ainoastaan Global Water Solutions -tuotteita, kun niitä käytetään niiden suunniteltuun käyttötarkoitukseen. Takuu ei ole voimassa, jos viat johtuvat tuotteen virheellisesti käytöstä, onnettomuudesta tai väärinkäytöstä. Jos tuote asennettiin virheellisesti tai sitä on muutettu jollakin tavalla ilman valmistajan nimenomaista lupaa, takuu mitätöityy. Tämän kappaleen takuu korvaa kaikki muut suorat tai välilliset takaukset, mukaan lukien, niihin kuitenkin rajoittumatta, kauppavuuttua tai jonkin käyttötarkoituksen sopivuutta koskevat takaukset.

GWS ei ota missään tapauksessa vastuuta käsittelyistä aiheutuvista kuluista, menetetyistä voitoista tai liikearvoista tai muusta seurauksellisesta tai vahingollisesta vahingosta, jotka aiheutuvat sen tuotteiden tilaamisesta tai käytöstä, oli kyseessä sitten takuun rikkomus, polkkeama tilausta määräyksistä, toimituksen viivästyminen tai ostajan menetykset. GWS ei ota myöskään vastuuta työvoimakuluista tai kustannuksista, jotka aiheutuvat tuotteen poistamisesta ja uudelleen asentamisesta.

Tämän takuun mukainen palvelu edellyttää, että kuluttaja toimittaa virallisen tuotteen valtuutetulle GWS-jakelijalle tai OEM-yhteistyökumppanille maksan toimituskulut. GWS harkintansa mukaan joko myöntää luottoa tai korjaa tai vaihtaa virallisen tuotteen sekä toimittaa sen jakelijalle maksan toimituskulut. GWS pidättää oikeuden tehdä rakenteellisia muutoksia, jotka ovat tuoteparannuksia yhtiön oman harkintansa mukaan.

Kaikki takuut edellyttävät tarkistettavissa olevaa oikeaoppista asennusta, espipainen säätöä teknisten ohjeiden mukaisesti sekä paineenrajoitusventtiilin asentamista asennusohjeiden suositusten mukaisesti.

Standardi valmistajan takuu on kuvattu standardeissa GWS-yhtiön takuehdoissa.

RU Ограниченная гарантия на напорные баки GWS

PressureWave™ / Max™ / UltraMax™ / M-Inox™ / E-Wave™ / Challenger™ / C2-Lite CAD™
FlowThru™ / All-Weather™ / HeatWave™ / SolarWave™ / ThermoWave™ Series

Гарантия компании Global Water Solutions Ltd. (GWS) распространяется на неисправности, возникшие в результате дефектов материалов и некачественного изготовления, баков моделей Challenger™, FlowThru™, C2-Lite CAD™, PressureWave™, M-Inox™, Max™, UltraMax™, All-Weather™ в течение 5 лет, моделей SolarWave™, ThermoWave™ в течение 3 лет и моделей HeatWave™ в течение 2 лет со дня производства. Гарантия на изделия компании Global Water Solutions Products действительна только при условии их использования по своему назначению; гарантия не распространяется на случаи возникновения дефектов в результате ненадлежащей эксплуатации изделия, аварии, небрежного обращения или нарушения норм. В случае установки изделия ненадлежащим образом или его модификации без соответствующего разрешения компании гарантия аннулируется. Настоящая гарантия, условия которой изложены ниже в данном разделе, предоставляется вместо любой иной прямо оговоренной или подразумеваемой гарантии, в том числе, но не исключительно, гарантии пригодности для использования по прямому назначению и пригодности для определенной цели.

Ни при каких условиях компания GWS не несет ответственности за расходы на обработку, упущенную прибыль, ущерб, нанесенный нематериальным активам, и любые иные виды косвенных убытков, явившиеся результатом неисправности или эксплуатации изделий компании, происходящих из нарушения гарантии, несоответствия характеристикам, указанным в заказе, задержки при поставке или каких бы то ни было убытков, которые понес покупатель; компания GWS не несет также ответственности за выполнение работ и расходы, требующиеся при демонтаже и повторной установке изделия, заменяющего дефектное изделие.

В целях выполнения техобслуживания, предусматриваемого данной гарантией, потребитель должен отправить считающееся неисправным изделие, оплатив его пересылку, авторизованному дистрибьютору компании GWS или партнерской OEM-компании. Компания GWS запишет кредит на счет покупателя или, по своему выбору, выполнит ремонт или замену дефектного изделия, пересылка которого оплачивается дистрибьютором. Компания GWS оставляет за собой право вносить в конструкцию изменения, представляющие, по ее мнению, улучшение изделия.

Гарантия имеет силу при условии обеспечения должной установки с возможностью ее контроля, регулировки предварительного давления в соответствии с техническими бюллетенями компании и установкой предохранительного клапана согласно указаниям, данным в руководстве по установке.

Стандартная гарантия производителя согласно определению, данному в стандартных условиях и постановлениях компании GWS.

ZH

GWS 压力罐有限保证

PressureWave™ / Max™ / UltraMax™ / M-Inox™ / E-Wave™ / Challenger™ / C2-Lite CAD™
FlowThru™ / All-Weather™ / HeatWave™ / SolarWave™ / ThermoWave™ Series

Global Water Solutions Ltd. (GWS) 对其Challenger™, FlowThru™, C2-Lite CAD™, PressureWave™, M-Inox™, Max™, UltraMax™, All-Weather™ 压力罐提供5年质保期, 以弥补其材料和生产工艺方面出现不足之处, SolarWave™, ThermoWave™压力罐3年质保期, HeatWave™ 压力罐2年质保期, 质保期从生产日开始计算。只有当将环球水务的产品应用于预期之用途时, 质量保证才能适用, 如果由于产品的不恰当使用, 事故造成的结果, 误用或者滥用造成的缺陷不在质量保证范围内。如果产品安装不恰当或者以任何形式进行更改, 并且没有征得工厂的特定授权, 则本质量保证无效。本段中列明的质量保证替代所有其他的明示的或者暗示的其他质量保证, 包括但不限于关于适销性和适合某一特定用途的保证。

不管在任何情况下, GWS对于订单或者使用其产品, 不管是否由于违反质量保证, 不符合订单规格规定, 拖期交货而引起的加工费、利润损失、商誉或者其他任何的间接或者意外损害或者买方遭受的任何损失不负责任, GWS对于拆卸和再安装替代产品所必需的人工和费用也不负责任。

要获得本质量保证服务, 顾客必须将所谓的缺陷产品运送到(运费预付)GWS指定的经销商或者贴牌生产合作处。GWS会安排退款或者为该经销商维修或者更换缺陷产品。(GWS负责邮寄运费)。GWS保留对结构进行更改的权利, 以便改进其产品。

质量保证范围涵盖经检测是适宜安装, 并且根据我们的工程规格要求调整预充压力以及根据安装手册中的推荐安装减压阀。

标准生产商质量保证见GWS标准质量保证条款。

DECLARATION OF CONFORMITY

In accordance with EU directive 97/23/EC

Pressure Vessels Types MT__ / ST__ / HT__ / PT__

Declaration of Conformity

We Global Water Solutions Ltd. declare under our sole responsibility that the pressure vessels types MT__ / ST__ / HT__ / PT__ to which this declaration relates, conform with the Council Directives relating to:

- Pressure equipment directive (97/23/EC)
- Modules used for conformity assessment to categories I, II and III: H
- Notified Body identification number: CE 0035

Declaración de Conformidad

Nosotros Global Water Solutions Ltd. declaramos bajo nuestra única responsabilidad que los tanques a presión type MT__ / ST__ / HT__ / PT__ a los cuales se refiere esta declaración son conformes con las Directivas del Consejo relativas a la aproximación de las legislaciones de los Estados Miembros de la CE sobre:

- Directiva equipos a presión (97/23/CE)
- Módulos utilizados para evaluación de conformidad según categorías I, II y III: H
- Número de identificación del organismo competente: CE 0035

Déclaration de Conformité

Nous, Global Water Solutions Ltd. déclarons sous notre seule responsabilité que les vases d'expansion type MT__ / ST__ / HT__ / PT__ aux quels se réfère cette déclaration, sont conformes aux Directives du Conseil concernant le rapprochement des législations des Etats membres CE relatives à:

- Directive équipements sous pression (97/23/CE)
- Les modules utilisés pour l'évaluation de la conformité des catégories I, II et III: H
- Numéro d'identification du corps spécifié: CE 0035

Декларация Соответствия

Мы, Global Water Solutions Ltd., полностью несем ответственность за то, что сосудов под давлением типов MT__ / ST__ / HT__ / PT__ к которым относится эта декларация, соответствуют следующим стандартам производства стран Европейского Союза:

- Директива оборудование, работающее под давлением директива (97/23/EC)
- Модули, применимые к продукции в декларации соответствия, I, II и III: H
- Идент. номер уведомленного органа: CE 0035

Vastaavuusvakuutus

Me Global Water Solutions Ltd. vakuutamme, että valmistamamme paineistat type MT__ / ST__ / HT__ / PT__ joihin tämä vakuutus koskee, täyttävät seuraavien EY:n jäsenvaltioiden lakien yhdenmukaistamiseksi annettujen Neuvoston direktiivien vaatimukset:

- Painelaitteet direktiivi (97/23/EY)
- Vaatimustenmukaisuuden arvioinnissa käytetyt moduulit luokkia I, II ja III vasten: H
- Ilmoitetun laitoksen tunnusnumero: CE 0035

Global Water Solutions Ltd.

5th floor, 37 Esplanade
St. Helier – JE1 2TR
Jersey
The Channel Islands

Konformitätserklärung

Wir Global Water Solutions Ltd. erklären in alleiniger Verantwortung, dass die Druckbehälter Typ MT__ / ST__ / HT__ / PT__ auf die sich diese Erklärung bezieht, mit den folgenden Richtlinien des Rates zur Angleichung der Rechtsvorschriften der EG-Mitgliedstaaten übereinstimmen:

- Druckgeräterichtlinie (97/23/EG)
- Verwendete Module bei der Konformitätsbeurteilung nach den Kategorien I, II und III: H
- Kennnummer der Benannten Stelle: CE 0035

Declaração de Conformidade

Nós Global Water Solutions Ltd. declaramos sob nossa única responsabilidade que os tanques de pressão type MT__ / ST__ / HT__ / PT__ aos quais se refere esta declaração estão em conformidade com as Directivas do Conselho das Comunidades Europeias relativas à aproximação das legislações dos Estados Membros respeitantes à:

- Directiva equipamentos sob pressão (97/23/CE)
- Módulos utilizados de acordo com o disposto de conformidade para as categorias I, II e III: H
- Número de identificação do conjunto: CE 0035

Dichiarazione di Conformità

Noi Global Water Solutions Ltd. dichiariamo sotto la nostra esclusiva responsabilità che i vasi di espansione tipo MT__ / ST__ / HT__ / PT__ ai quali questa dichiarazione si riferisce, sono conformi alle seguenti Direttive emanate dal Consiglio Europeo e valide per tutti gli Stati membri CE:

- Direttiva apparecchi in pressione, PED (97/23/CE)
- Moduli utilizzati per la verifica delle categorie I, II e III: H
- Ente notificatore numero: CE 0035

Försäkran om överensstämmelse

Global Water Solutions Ltd. försäkrar härmed att tryckkärl av typen MT__ / ST__ / HT__ / PT__ som omfattas av denna försäkran, är i överensstämmelse med Rådets Direktiv om harmonisering till EU-medlemsstaternas lagstiftning, avseende:

- Direktivet för tryckbärande utrustning (97/23/EC)
- Produkter som används i överensstämmelse med kategorierna I, II och III: H
- Bemyndigande organets identifikationsnummer: CE 0035

Overensstemmelseserklæring

Vi Global Water Solutions Ltd. erklærer under ansvar, at trykbeholdere type MT__ / ST__ / HT__ / PT__ som denne erklæring omhandler, er i overensstemmelse med Rådets Direktiver om indbyrdes tilnærmelse til EF medlemsstaternes lovgivning om:

- Trykbærende udstyr direktiv (97/23/EF)
- Moduler, som er anvendt til overensstemmelsesvurdering efter kategorierne I, II og III: H
- Det bemyndigede organs identifikationsnummer: CE 0035

Luxembourg, July 17 2013

Alexandre Staudt

Alexander Staudt
Technical Manager

DECLARATION OF CONFORMITY

In accordance with EU directive 97/23/EC

Pressure Vessels Types MUPA / MUPN / MUFA / CUPA / CUTA / CUFA

Declaration of Conformity

We Global Water Solutions Ltd. declare under our sole responsibility that the pressure vessels types MUPA / MUPN / MUFA / CUPA / CUTA / CUFA, to which this declaration relates, conform with the Council Directives relating to:

- Pressure equipment directive (97/23/EC)
- Modules used for conformity assessment to categories II, III and IV: B + D
- Notified Body identification number: CE 0038

Declaración de Conformidad

Nosotros Global Water Solutions Ltd. declaramos bajo nuestra única responsabilidad que los tanques a presión type MUPA / MUPN / MUFA / CUPA / CUTA / CUFA a los cuales se refiere esta declaración son conformes con las Directivas del Consejo relativas a la aproximación de las legislaciones de los Estados Miembros de la CE sobre:

- Directiva equipos a presión (97/23/CE)
- Módulos utilizados para evaluación de conformidad según categorías II, III y IV: B + D
- Número de identificación del organismo competente: CE 0038

Déclaration de Conformité

Nous, Global Water Solutions Ltd. déclarons sous notre seule responsabilité que les vases d'expansion type MUPA / MUPN / MUFA / CUPA / CUTA / CUFA auxquels se réfère cette déclaration, sont conformes aux Directives du Conseil concernant le rapprochement des législations des Etats membres CE relatives à:

- Directive équipements sous pression (97/23/CE)
- Les modules utilisés pour l'évaluation de la conformité des catégories II, III et IV: B + D
- Numéro d'identification du corps spécifié: CE 0038

Декларация Соответствия

Мы, Global Water Solutions Ltd., полностью несем ответственность за то, что сосудов под давлением типов MUPA / MUPN / MUFA / CUPA / CUTA / CUFA, к которым относится эта декларация, соответствуют следующим стандартам производства стран Европейского Союза:

- Директива оборудование, работающее под давлением (97/23/EC)
- Модули, применимые к продукции в декларации соответствия, II, III и IV: B + D
- Идент. номер уведомленного органа: CE 0038

Vastaavuusvakuutus

Me Global Water Solutions Ltd. vakuutamme, että valmistamamme paineastiat type MUPA / MUPN / MUFA / CUPA / CUTA / CUFA, joita tämä vakuutus koskee, täyttävät seuraavien EY:n jäsenvaltioiden lakien yhdenmukaistamiseksi annettujen Neuvoston direktiivien vaatimukset:

- Painelaitteet direktiivi (97/23/EY)
- Vaatimustenmukaisten arvioinnissa käytetyt moduulit luokkia II, III ja IV varten: B + D
- Ilmoitetun laitoksen tunnusnumero: CE 0038

Global Water Solutions Ltd.

5th floor, 37 Esplanade
St. Helier – JE1 2TR
Jersey
The Channel Islands

Konformitätserklärung

Wir Global Water Solutions Ltd. erklären in alleiniger Verantwortung, dass die Druckbehälter Typ MUPA / MUPN / MUFA / CUPA / CUTA / CUFA, auf die sich diese Erklärung bezieht, mit den folgenden Richtlinien des Rates zur Angleichung der Rechtsvorschriften der EG-Mitgliedstaaten übereinstimmen:

- Druckgeräterichtlinie (97/23/EG)
- Verwendete Module bei der Konformitätsbeurteilung nach den Kategorien II, III und IV: B + D
- Kennnummer der Benannten Stelle: CE 0038

Declaração de Conformidade

Nós Global Water Solutions Ltd. declaramos sob nossa única responsabilidade que os tanques de pressão type MUPA / MUPN / MUFA / CUPA / CUTA / CUFA aos quais se refere esta declaração estão em conformidade com as Directivas do Conselho das Comunidades Europeias relativas à aproximação das legislações dos Estados Membros respeitantes à:

- Directiva equipamentos sob pressão (97/23/CE)
- Módulos utilizados de acordo com o disposto de conformidade para as categorias II, III e IV: B+D
- Número de identificação do conjunto: CE 0038

Dichiarazione di Conformità

Noi Global Water Solutions Ltd. dichiariamo sotto la nostra esclusiva responsabilità che i vasi di espansione type MUPA / MUPN / MUFA / CUPA / CUTA / CUFA, ai quali questa dichiarazione si riferisce, sono conformi alle seguenti Direttive emanate dal Consiglio Europeo e valide per tutti gli Stati membri CE:

- Direttiva apparecchi in pressione, PED (97/23/EC)
- Moduli utilizzati per la verifica delle categorie II, III e IV: B + D
- Ente notificatore numero: CE 0038

Försäkrän om överensstämmelse

Global Water Solutions Ltd. försäkrar härmed att tryckkärl av typen MUPA / MUPN / MUFA / CUPA / CUTA / CUFA, som omfattas av denna försäkrän, är i överensstämmelse med Rådets Direktiv om harmonisering till EU-medlemsstaternas lagstiftning, avseende:

- Direktivet för tryckbärande utrustning (97/23/EC)
- Produkter som används i överensstämmelse med kategorierna II, III och IV: B + D
- Bemyndigande organets identifikationsnummer: CE 0038

Överensstemmelseserklæring

Vi Global Water Solutions Ltd. erklærer under ansvar, at trykbeholdere type MUPA / MUPN / MUFA / CUPA / CUTA / CUFA, som denne erklæring omhandler, er i overensstemmelse med Rådets Direktiver om indbyrdes tilnærmede til EF medlemsstaternes lovgivning om:

- Trykbærende udstyr direktiv (97/23/EF)
- Moduler, som er anvendt til overensstemmelsesvurdering efter kategorierne II, III og IV: B + D
- Det bemyndigede organs identifikationsnummer: CE 0038

Luxembourg, July 17 2013

Alexandre Staudt

Alexander Staudt
Technical Manager

Acceptance Factor Overview

		Precharge [bar]																			
		0.5	1	1.5	1.7	1.8	1.9	2	2.1	2.2	2.5	2.8	3	3.5	4	4.5	5	6	7	8	
Maximum System Pressure [bar]	2	0.50	0.33	0.17	0.10	0.07	0.03	0	0	0											
	2.5		0.43	0.29	0.23	0.20	0.17	0.14	0.11	0.09	0	0									
	3			0.50	0.38	0.33	0.30	0.28	0.25	0.23	0.20	0.13	0.05	0							
	3.5				0.44	0.40	0.38	0.36	0.33	0.31	0.29	0.22	0.16	0.11	0						
	4					0.50	0.46	0.44	0.42	0.40	0.38	0.36	0.30	0.24	0.20	0.10	0				
	4.5						0.51	0.49	0.47	0.45	0.44	0.42	0.36	0.31	0.27	0.18	0.09	0			
	5							0.53	0.52	0.50	0.48	0.47	0.42	0.37	0.33	0.25	0.17	0.08	0		
	5.5									0.52	0.51	0.46	0.42	0.38	0.31	0.23	0.15	0.08			
	6											0.50	0.46	0.43	0.36	0.29	0.21	0.14	0		
	6.5												0.49	0.47	0.40	0.33	0.27	0.20	0.07		
7													0.53	0.50	0.44	0.38	0.31	0.25	0.13	0	
8															0.50	0.44	0.39	0.33	0.22	0.11	0
9																0.50	0.45	0.40	0.30	0.20	0.10
10																	0.50	0.45	0.36	0.27	0.18

Acceptance Factor

		Precharge [psi]																						
		10	15	20	25	30	35	40	45	50	55	60	65	70	80	90	100	110	120	130				
Maximum System Pressure [psi]	30	0.45	0.34	0.22	0.11	0	0																	
	40		0.55	0.46	0.37	0.27	0.18	0.09	0															
	45			0.50	0.42	0.34	0.25	0.17	0.08	0														
	50				0.46	0.39	0.31	0.23	0.15	0.08	0													
	55					0.50	0.43	0.36	0.29	0.22	0.14	0.07	0											
	60						0.47	0.40	0.33	0.27	0.20	0.13	0.07	0										
	65							0.50	0.44	0.38	0.31	0.25	0.18	0.13	0.06	0								
	70								0.47	0.41	0.35	0.30	0.24	0.18	0.12	0.06	0							
	80									0.53	0.48	0.42	0.37	0.32	0.26	0.21	0.16	0.11	0					
	90										0.53	0.48	0.43	0.38	0.33	0.29	0.24	0.19	0.10	0				
	100											0.52	0.48	0.44	0.39	0.35	0.31	0.26	0.17	0.09	0			
	110												0.52	0.48	0.44	0.40	0.36	0.32	0.24	0.16	0.08	0	0	
	130													0.55	0.52	0.48	0.45	0.41	0.35	0.28	0.21	0.14	0.07	0
	150														0.55	0.52	0.49	0.43	0.36	0.30	0.24	0.18	0.12	

Acceptance Factor

Maximum System Pressure

Maximalsystemdruck - Maximální tlak v systému - Pression max. de fonctionnement - Pressione max. del sistema - Maksymalna ciśnienie pracy systemu - Pressão máx. de Operação do sistema - Presiunea maxim de operare a sistemului - Presión máx de operación del sistema - Maksimum Sistem İşletme Basıncı - Макс. рабочее давление в системе - 系統最大工作压力

Precharge

Vordruck - Přednastavený tlak - Prégonflage - Pressione precarica - Cişnienie wstępne - Pressão de pré-carga - presiunea preincarcată - Presión de precarga - Ön Basınç Seviyesi - Заряд - 预充压力

Acceptance Factor

Akzeptanzfaktor - čítnel Plnění - Taux de remplissage - Fattore Accettazione - Akceptowalny Parametr - Fator de aceitação - Factor de acceptare - Factor de aceptación - Kabul Faktörü - Фактор Принятия - 可用系数

Standard Tank Specification Overview

Part number family name	Pressure-Wave™	M-Inox™	Max™	UltraMax™	All-Weather™	Challenger™	C2-Lite CAD™	FlowThru™ Steel	FlowThru™ Comp	ThermoWave™	HeatWave™	SolarWave™
BSP	PWB-...	MIB-...	MXB-...	UMB-...	AWB-...	GCB-...	C2B-...	GFB-... ¹	CFB-...	TWB-... ¹	HWB-... ¹	SWB-...
NPT	PWN-...	MIN-...	MXN-...	UMN-...	AWN-...	GCN-...	CZN-...	GFN-... ¹	CFN-...	1	1	1
Type												
Type family	MTPA MTPB	STPA STPB	MTMA MTMB	MTUA MTUB	PTPB	MUPA MUPB	CUPA	MUFA	CUFA	MTPA	MTHT	MTHH
Inline nominal volume	2 L / 0.53 gal 35 L / 9.25 gal	8 L / 2.11 gal 24 L / 6.34 gal	2 L / 0.53 gal 35 L / 9.25 gal	8 L / 2.11 gal 24 L / 6.34 gal	18 L / 4.76 gal 24 L / 6.34 gal				2 L / 0.53 gal 35 L / 9.25 gal	2 L / 0.53 gal 35 L / 9.25 gal	2 L / 0.53 gal 35 L / 9.25 gal	2 L / 0.53 gal 35 L / 9.25 gal
Horizontal nominal volume												
Min.	8 L / 2.11 gal	18 L / 4.76 gal								20 L / 5.28 gal		
Max.	100 L / 26.42 gal	18 L / 4.76 gal							60 L / 15.85 gal	60 L / 15.85 gal		
Vertical nominal volume												
Min.	35 L / 9.25 gal		60 L / 15.85 gal	100 L / 26.42 gal		60 L / 15 gal	60 L / 15 gal	80 L / 20 gal	60 L / 15 gal	60 L / 15.85 gal	60 L / 15.85 gal	60 L / 15.85 gal
Max.	150 L / 39.63 gal		100 L / 26.42 gal	100 L / 26.42 gal		450 L / 120 gal	450 L / 120 gal	325 L / 85 gal	200 L / 50 gal	60 L / 15.85 gal	150 L / 39.63 gal	150 L / 39.63 gal
Connection												
Size	1"	1"	1"	1"	1"	differs ³	differs ³	1x"	1x"	3/4"	3/4"-1"	differs ²
Specifications												
Tank shell material	steel	SS	steel	steel	steel w/ cover	steel	composite	steel	composite	steel	steel	steel
Inline	●	●	●	●	●					●	●	●
Vertical	●	●	●	●						●	●	●
Max working pressure	10 bar / 150 psi	10 bar / 150 psi	16 bar / 232 psi	25 bar / 363 psi	10 bar / 150 psi	differs ²	8.6 bar / 125 psi	8.6 bar / 125 psi	8.6 bar / 125 psi	10 bar / 150 psi	6 bar / 87 psi	10 bar / 150 psi
Precharge	1.9 bar / 28 psi	1.9 bar / 28 psi	4.0 bar / 58 psi	4.0 bar / 58 psi	1.9 bar / 28 psi	1.4 bar / 20 psi	1.4 bar / 20 psi	1.4 bar / 20 psi	1.4 bar / 20 psi	1.9 bar / 28 psi	differs ³	1.9 bar / 28 psi
Max. temperature	90°C / 194°F	90°C / 194°F	90°C / 194°F	90°C / 194°F	90°C / 194°F	90°C / 194°F	49°C / 120°F	90°C / 194°F	49°C / 120°F	90°C / 194°F	99°C / 210°F	130°C / 266°F
Suitable for potable water	yes	yes	yes	yes	yes	yes	yes	yes	yes	yes	no	no
Remarks	¹ 2-35 L inline tanks also available with a 3/8" BSP connection (compatible with NPT)	¹ inline tanks also available with a 3/8" connection (compatible with NPT)	¹ Connections: • 60-130 L (15-35 gal): 1" elbow • 200-450 L (50-120 gal): 1 1/2" elbow ² Max. working pressures: • BSP: 10 bar/150 psi • NPT: 8 bar/125 psi	¹ Connections: • 60-130 L (15-35 gal): 1" elbow • 200-450 L (50-120 gal): 1 1/2" elbow ² Max. working pressures: • BSP: 10 bar/150 psi • NPT: 8 bar/125 psi	¹ Connections: • 60-130 L (15-35 gal): 1" elbow • 200-450 L (50-120 gal): 1 1/2" elbow ² Max. working pressures: • BSP: 10 bar/150 psi • NPT: 8 bar/125 psi	¹ Connections: • 60-130 L (15-35 gal): 1" elbow • 200-450 L (50-120 gal): 1 1/2" elbow ² Max. working pressures: • BSP: 10 bar/150 psi • NPT: 8 bar/125 psi	¹ Connections: • 60-130 L (15-35 gal): 1" elbow • 200-450 L (50-120 gal): 1 1/2" elbow ² Max. working pressures: • BSP: 10 bar/150 psi • NPT: 8 bar/125 psi	¹ NPT connection with additional BSP adaptor	¹ BSP compatible with NPT for inline and horizontal models • 2-80 L: 3/8" inline • 100-150 L: 1" elbow ¹ Precharges: • 2.24 L: 0.7 bar/10 psi • 35 L: 1 bar/15 psi • 60 L: 1.5 bar/22 psi	¹ BSP compatible with NPT for inline and horizontal models • 2-80 L: 3/8" inline • 100-150 L: 1" elbow ¹ Precharges: • 2.24 L: 0.7 bar/10 psi • 35 L: 1 bar/15 psi • 60 L: 1.5 bar/22 psi	¹ BSP compatible with NPT for inline and horizontal models • 2-80 L: 3/8" inline • 100-150 L: 1" elbow ¹ Precharges: • 2.24 L: 0.7 bar/10 psi • 35 L: 1 bar/15 psi • 60 L: 1.5 bar/22 psi	¹ 2-80 L: BSP compatible with NPT ² Connections: • 2-80 L: 3/8" inline • 100-150 L: 1" elbow ¹ Precharges: • 2.24 L: 0.7 bar/10 psi • 35 L: 1 bar/15 psi • 60 L: 1.5 bar/22 psi

Europe, Africa

9a, rue Gabriel Lippmann, L-5365, Munsbach - Luxembourg
Tel: +352 263 507 73 15 eFax: +1 781 658 2511

United Kingdom

Unit 24-25 Squires Gate Industrial Estate, Squires Gate Lane,
Blackpool, Lancashire, FY4 3RN - United Kingdom
Tel: +44 1253 344474 eFax: +1 781 658 2511

Italy

Via Emilia Ovest, 56, 42048 Rubiera (RE) - Italy
Tel: +39 0522 626307 Fax: +39 0522 260216

Middle East

Baglarbasi Mah. Bagdat Cad., Guven Is Merkezi, K:6 D:115,
34844 Maltepe, Istanbul, Turkey
Tel: +90 216 3525750

India

1st Floor; Room No. 205, World Trade Tower, Barakhamba Lane
Connaught Place, New Delhi, 110001 - India
Tel: +91 40509205

Asia

No. 553 Jhongshan Road, Qingshuei, Taichung County, 43643 - Taiwan
Tel: +886 4 2622 3030 Fax: +886 4 2623 3300

China

Room C208-C210, Zhongjiang Logistic Park, Xia Zhuang Town,
Chen Yang District, Qingdao, Shandong Province, 266107 - China
Tel: +86 532 66888198, 66888199 Fax: +86 532 66888193

Korea

#484-5, Hun Chang bldg 7F, Myeong Jang 1 Dong, Dong Rae Gu, Busan - Korea.
Tel: +82 51 526 7504 Fax: +82 51 527 7504

North America

P.O. Box #782, 300 Pond Street, Randolph, MA 02368 - U.S.A.
Tel: +1 781 607 2607 eFax: +1 781 658 2511

Latin America

P.O. Box #2107-#2050, San Pedro - Costa Rica
Tel: +506 2253 8405 eFax: +1 781 658 2511

Registered Office

5th floor; 37 Esplanade, St Helier, JE1 2TR, Jersey, The Channel Islands
eFax: +1 781 658 2511